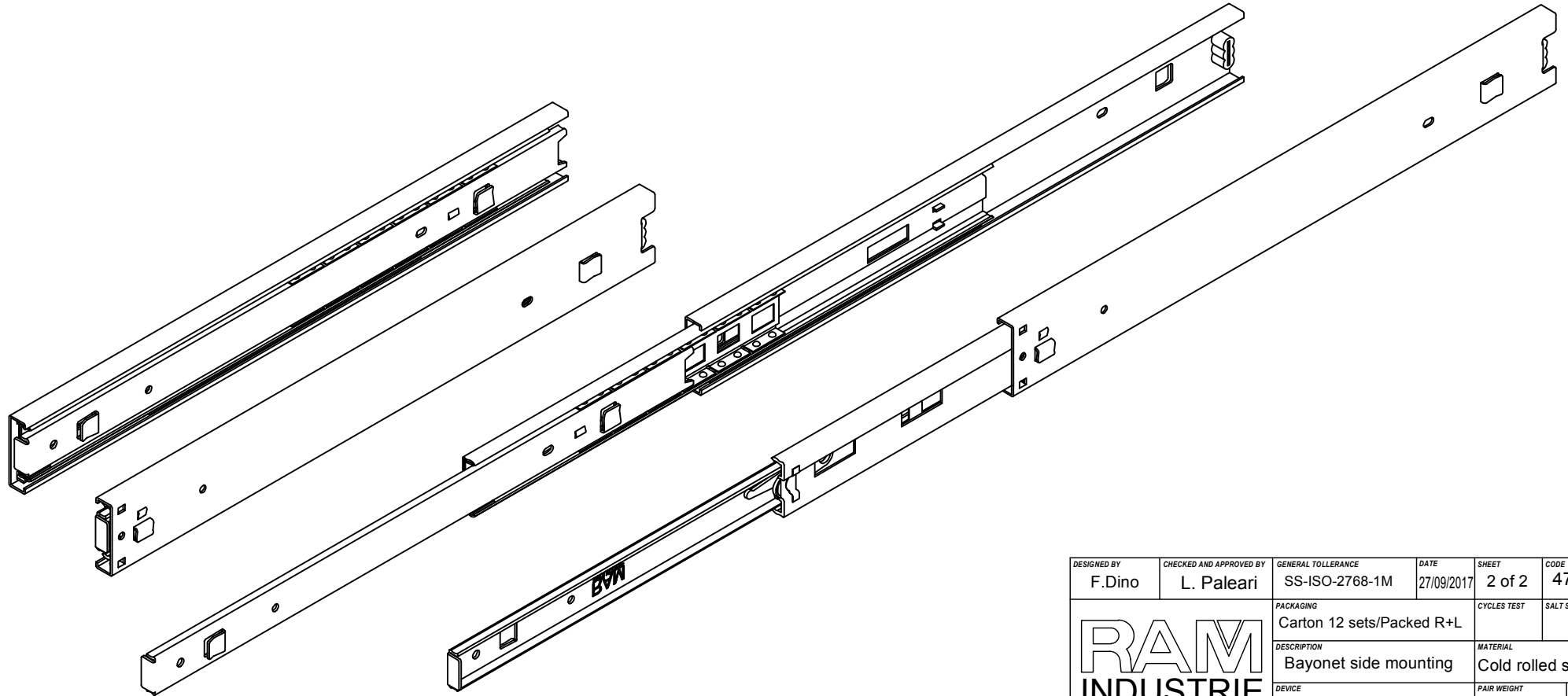
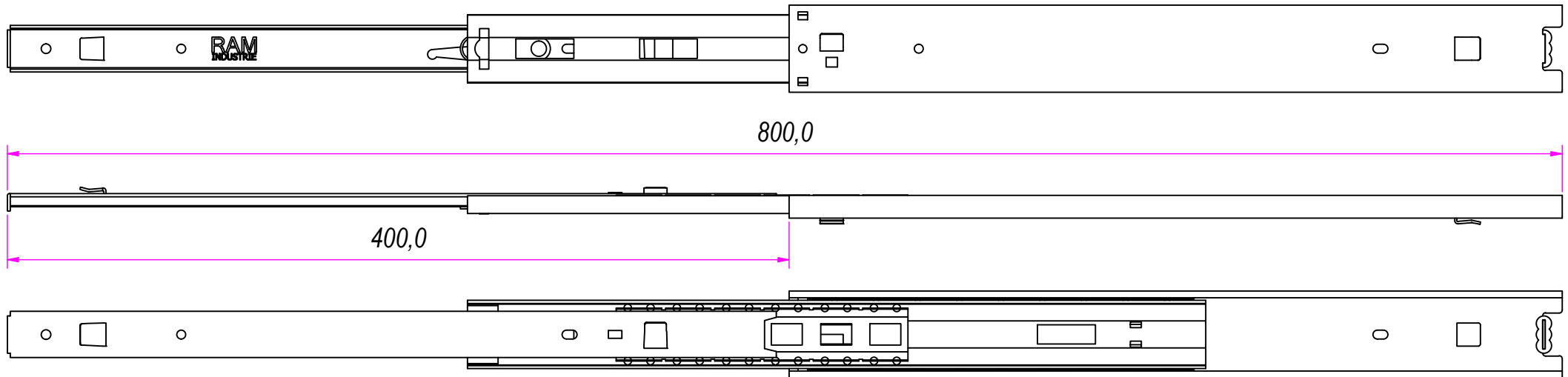


REVISION HISTORY			
REV	DESCRIPTION	APPROVED BY	DATE
1	Added teeth (16-21)	F.Dino	09/11/2016

DESIGNED BY F.Dino	CHECKED AND APPROVED BY L. Paleari	GENERAL TOLLERANCE SS-ISO-2768-1M	DATE 27/09/2017	SHEET 1 of 2	CODE 47400
PACKAGING Carton 12 sets/Packed R+L			CYCLES TEST	SALT SPRAY TEST	L/O LABEL ✓
DESCRIPTION Bayonet side mounting			MATERIAL Cold rolled steel		
DEVICE			PAIR WEIGHT 1,252 Kg	UNIT mm	02C
Property of RAM Industrie. Without its written authorization the present drawing shall neither be used for construction anyway, communicated to third parties, nor reproduced.					

**RAM**  
**INDUSTRIE**



REVISION HISTORY			
REV	DESCRIPTION	APPROVED BY	DATE
1	Added teeth (16-21)	F.Dino	09/11/2016

DESIGNED BY F.Dino	CHECKED AND APPROVED BY L. Paleari	GENERAL TOLERANCE SS-ISO-2768-1M	DATE 27/09/2017	SHEET 2 of 2	CODE 47400
PACKAGING Carton 12 sets/Packed R+L			CYCLES TEST	SALT SPRAY TEST	L/O LABEL ✓
DESCRIPTION Bayonet side mounting			MATERIAL Cold rolled steel		
DEVICE			PAIR WEIGHT 1,252 Kg	UNIT mm	02C
<p>Property of RAM Industrie. Without its written authorization the present drawing shall neither be used for construction anyway, communicated to third parties, nor reproduced.</p>					

**RAM**  
INDUSTRIE