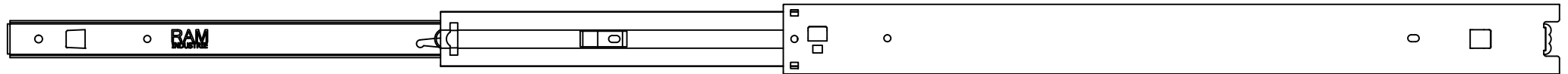


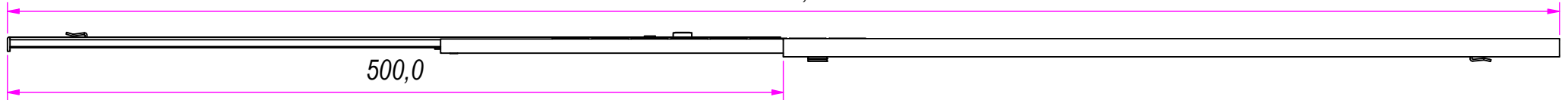
REVISION HISTORY			
REV	DESCRIPTION	APPROVED BY	DATE
1	Added teeth (16-21)	F.Dino	09/11/2016
2	Removed slotted hole (16-34)	F.Dino	08/06/2017
3	Eliminated REV 2 (18-09)	F.Dino	30/07/2018

DESIGNED BY F.Dino	CHECKED AND APPROVED BY L. Paleari	GENERAL TOLERANCE SS-ISO-2768-1M	DATE 09/11/2016	SHEET 1 of 2	CODE 47500
PACKAGING Carton 12 sets/Packed R+L			CYCLES TEST	SALT SPRAY TEST	L/O LABEL ✓
DESCRIPTION Bayonet side mounting			MATERIAL Cold rolled steel		
DEVICE			PAIR WEIGHT 1,56 Kg	UNIT mm	02C
Property of RAM Industrie. Without its written authorization the present drawing shall neither be used for construction anyway, communicated to third parties, nor reproduced.					

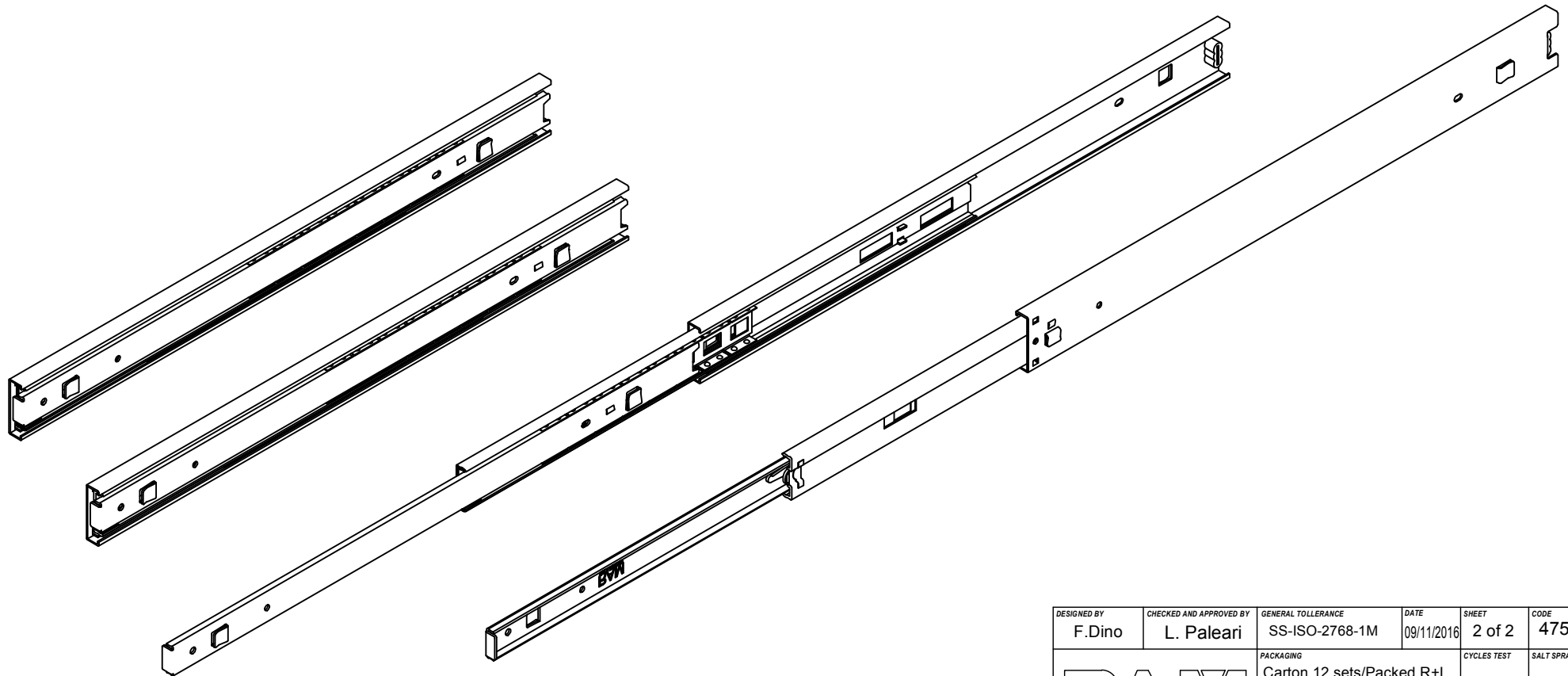
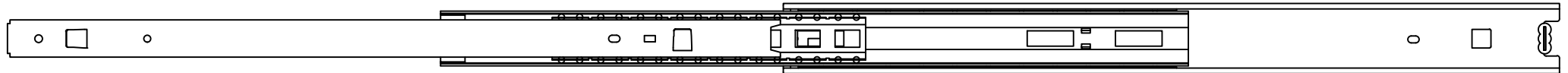
RAM
INDUSTRIE




1000,0



500,0



REVISION HISTORY			
REV	DESCRIPTION	APPROVED BY	DATE
1	Added teeth (16-21)	F.Dino	09/11/2016
2	Removed slotted hole (16-34)	F.Dino	08/06/2017
3	Eliminated REV 2 (18-09)	F.Dino	30/07/2018

DESIGNED BY F.Dino	CHECKED AND APPROVED BY L. Paleari	GENERAL TOLERANCE SS-ISO-2768-1M	DATE 09/11/2016	SHEET 2 of 2	CODE 47500	
			PACKAGING Carton 12 sets/Packed R+L	CYCLES TEST	SALT SPRAY TEST	L/O LABEL ✓
			DESCRIPTION Bayonet side mounting	MATERIAL Cold rolled steel		
DEVICE			PAIR WEIGHT 1,56 Kg	UNIT mm	02C	

Property of RAM Industrie.
Without its written authorization the present drawing shall neither be used for construction anyway, communicated to third parties, nor reproduced.