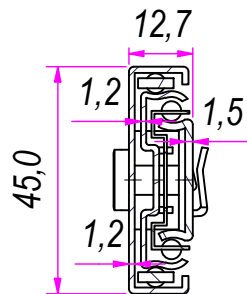
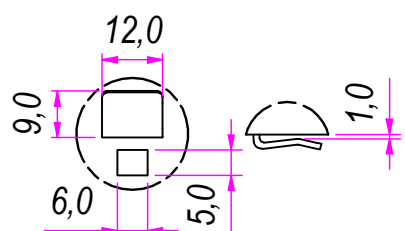


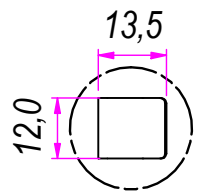
SEZ. A-A



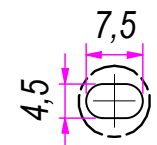
B (1 : 1.5)



D (1 : 1.5)



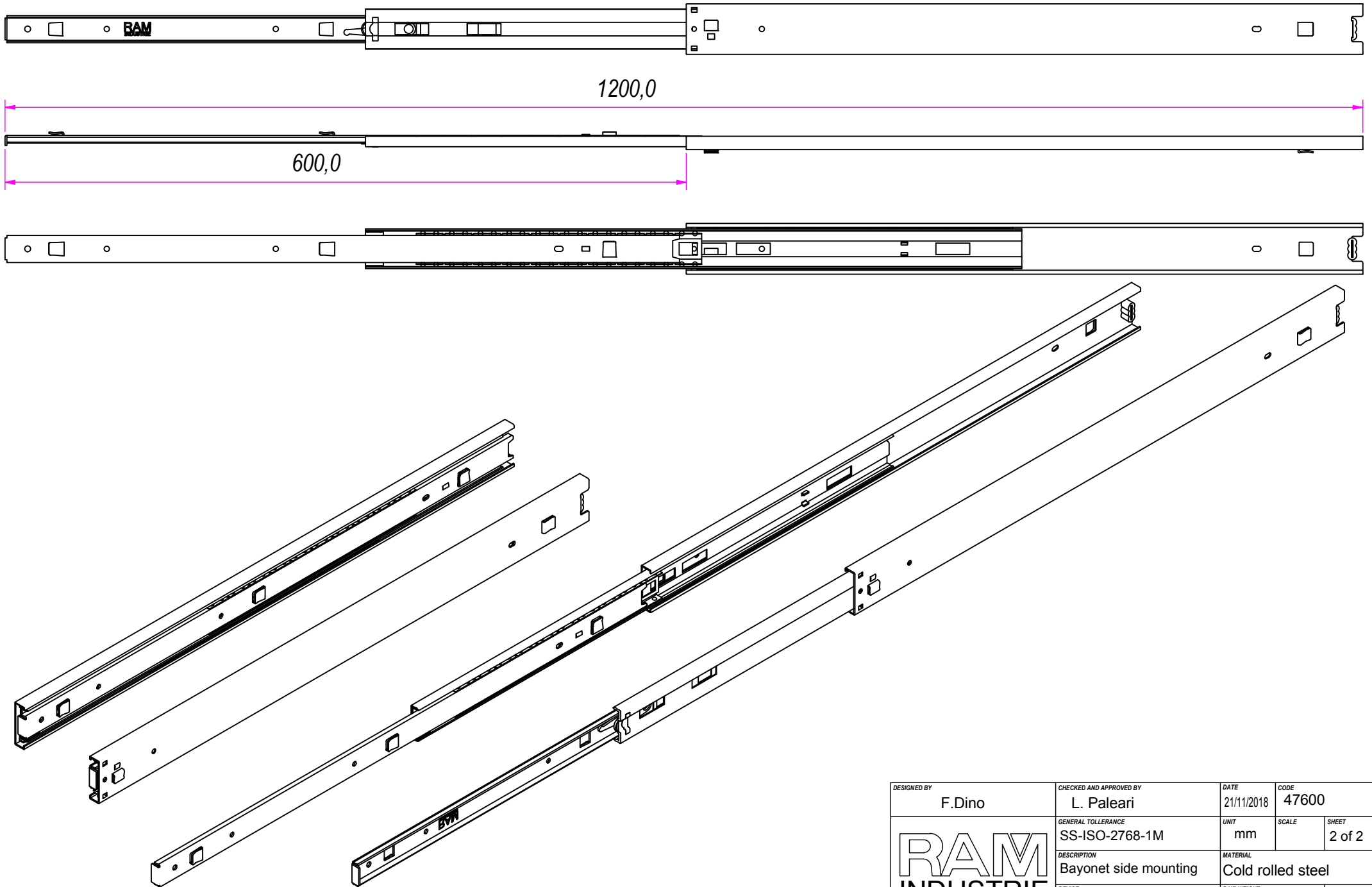
C (1 : 1)




REVISION HISTORY			
REV	DESCRIPTION	APPROVED BY	DATE
1		F.Dino	21/11/2018

DESIGNED BY F.Dino	CHECKED AND APPROVED BY L. Paleari	DATE 21/11/2018	CODE 47600
GENERAL TOLLERANCE SS-ISO-2768-1M		UNIT mm	SCALE 1 of 2
DESCRIPTION Bayonet side mounting		MATERIAL Cold rolled steel	
DEVICE		PAIR WEIGHT 1,894 Kg	02C
Property of RAM Industrie. Without its written authorization the present drawing shall neither be used for construction anyway, communicated to third parties, nor reproduced.			





REVISION HISTORY			
REV	DESCRIPTION	APPROVED BY	DATE
1		F.Dino	21/11/2018

DESIGNED BY F.Dino	CHECKED AND APPROVED BY L. Paleari	DATE 21/11/2018	CODE 47600	
		GENERAL TOLLERANCE SS-ISO-2768-1M	UNIT mm	SCALE 2 of 2
		DESCRIPTION Bayonet side mounting	MATERIAL Cold rolled steel	
DEVICE		PAIR WEIGHT 1,894 Kg	02C	

Property of RAM Industrie.
Without its written authorization the present drawing shall neither be used for construction anyway, communicated to third parties, nor reproduced.