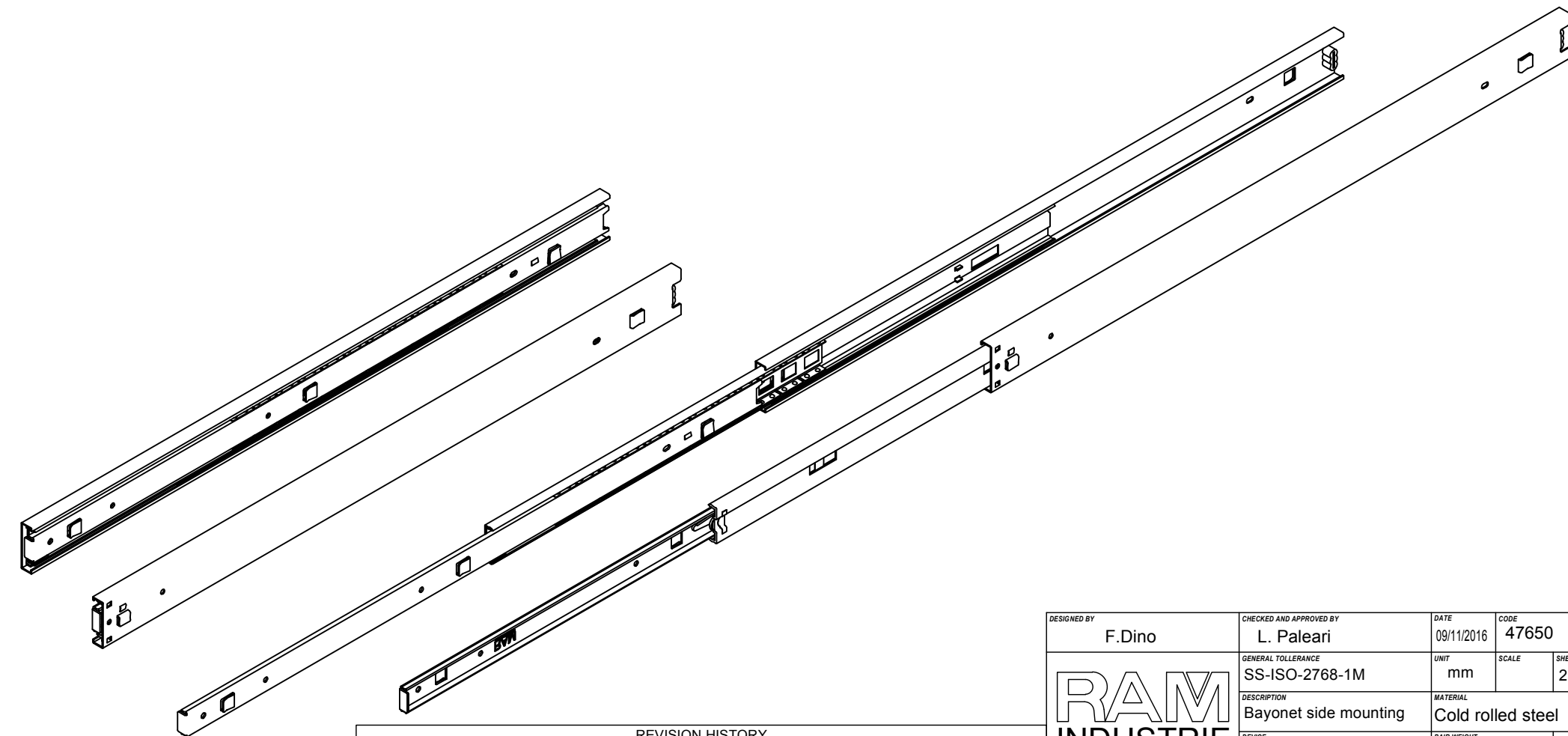
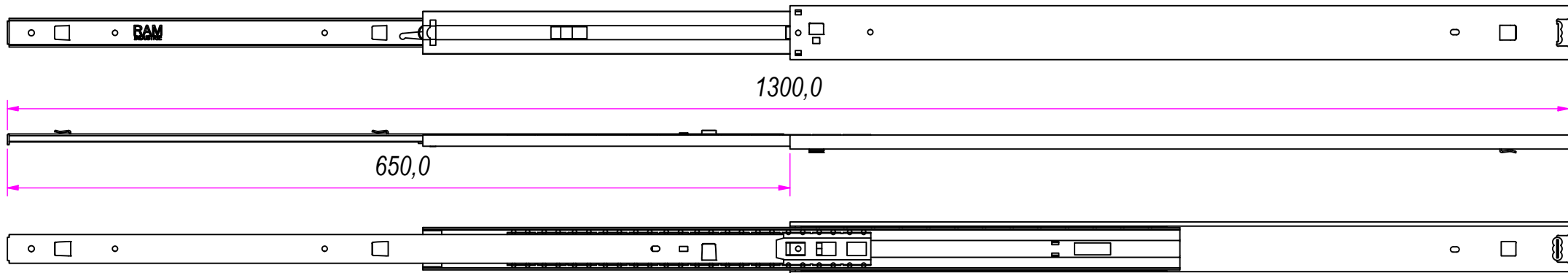


REVISION HISTORY			
REV	DESCRIPTION	APPROVED BY	DATE
1	Added teeth (16-21)	F.Dino	09/11/2016
2	Removed slotted hole (16-34)	F.Dino	08/06/2017


DESIGNED BY F.Dino	CHECKED AND APPROVED BY L. Paleari	DATE 09/11/2016	CODE 47650
GENERAL TOLERANCE SS-ISO-2768-1M		UNIT mm	SCALE 1 of 2
DESCRIPTION Bayonet side mounting		MATERIAL Cold rolled steel	
DEVICE		PAIR WEIGHT 2,068 Kg	02C

RAM
INDUSTRIE

Property of RAM Industrie.
Without its written authorization the present drawing shall neither be used for construction anyway, communicated to third parties, nor reproduced.



REVISION HISTORY			
REV	DESCRIPTION	APPROVED BY	DATE
1	Added teeth (16-21)	F.Dino	09/11/2016
2	Removed slotted hole (16-34)	F.Dino	08/06/2017

DESIGNED BY	F.Dino	CHECKED AND APPROVED BY	L. Paleari	DATE	09/11/2016	CODE	47650
	GENERAL TOLLERANCE	SS-ISO-2768-1M	UNIT	mm	SCALE	SHEET 2 of 2	
	DESCRIPTION	Bayonet side mounting		MATERIAL	Cold rolled steel		
	DEVICE			PAIR WEIGHT	2,068 Kg	02C	

Property of RAM Industrie.
Without its written authorization the present drawing shall neither be used for construction anyway, communicated to third parties, nor reproduced.