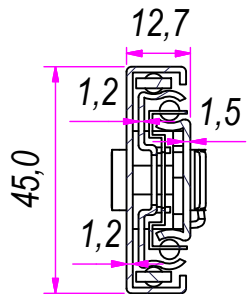
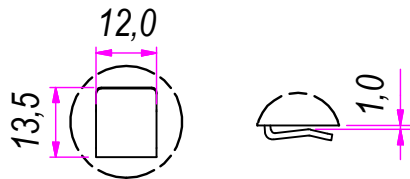


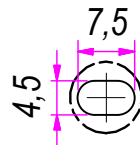
SEZ. A-A




B (1 : 1.5)



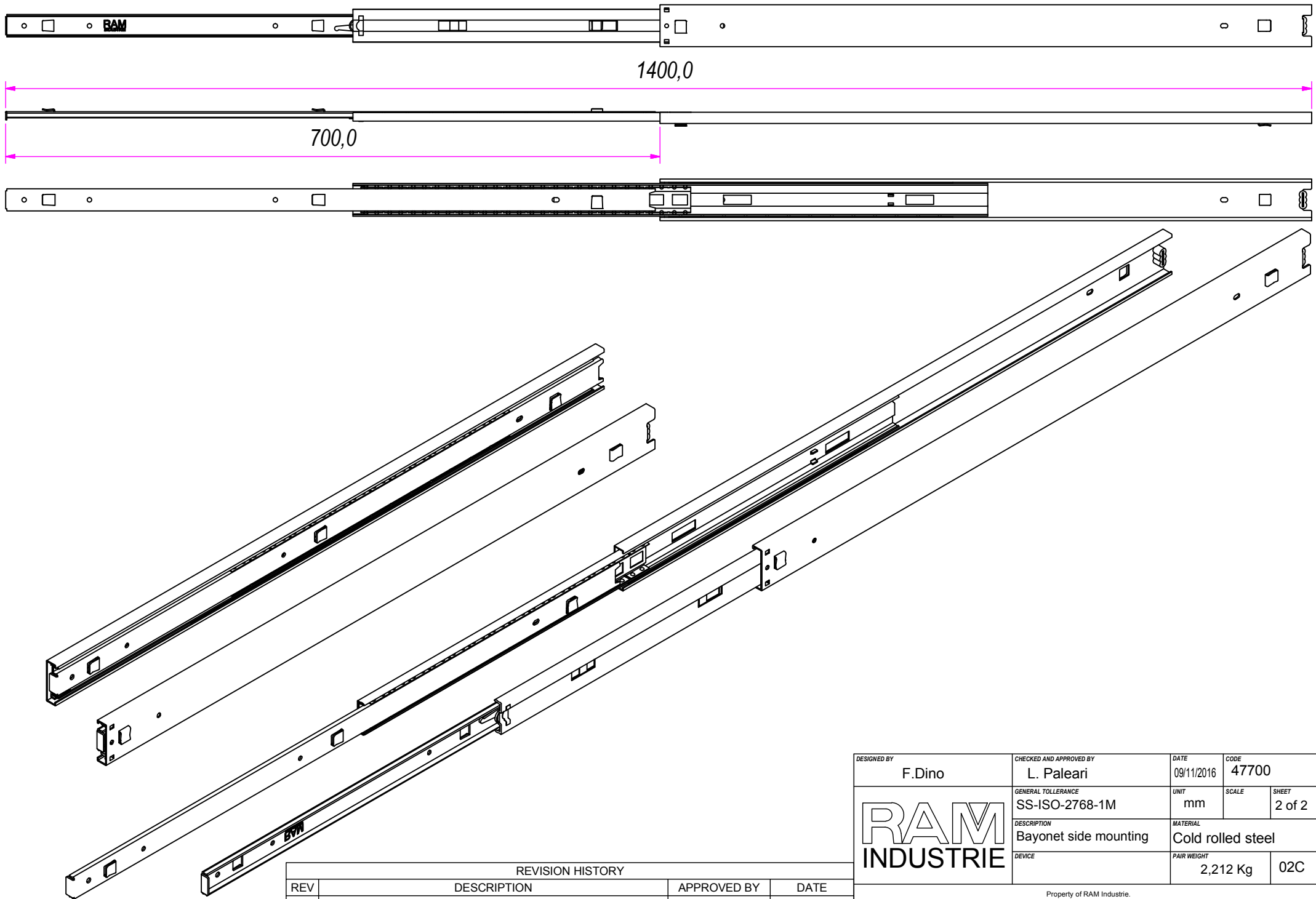
C (1 : 1)




REVISION HISTORY			
REV	DESCRIPTION	APPROVED BY	DATE
1		F.Dino	09/11/2016

DESIGNED BY F.Dino	CHECKED AND APPROVED BY L. Paleari	DATE 09/11/2016	CODE 47700
		GENERAL TOLLERANCE SS-ISO-2768-1M	UNIT mm
		DESCRIPTION Bayonet side mounting	MATERIAL Cold rolled steel
		PAIR WEIGHT 2,212 Kg	SHEET 02C

Property of RAM Industrie.  
Without its written authorization the present drawing shall neither be used for construction anyway, communicated to third parties, nor reproduced.



REVISION HISTORY			
REV	DESCRIPTION	APPROVED BY	DATE
1		F.Dino	09/11/2016

DESIGNED BY F.Dino	CHECKED AND APPROVED BY L. Paleari	DATE 09/11/2016	CODE 47700		
		GENERAL TOLLERANCE SS-ISO-2768-1M	UNIT mm	SCALE	SHEET 2 of 2
		DESCRIPTION Bayonet side mounting	MATERIAL Cold rolled steel		
DEVICE		PAIR WEIGHT 2,212 Kg	02C		
Property of RAM Industrie. Without its written authorization the present drawing shall neither be used for construction anyway, communicated to third parties, nor reproduced.					