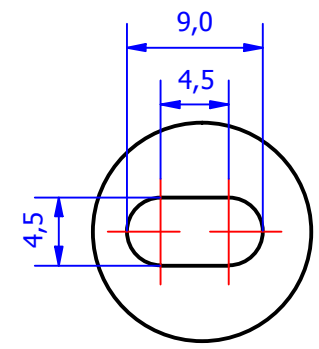
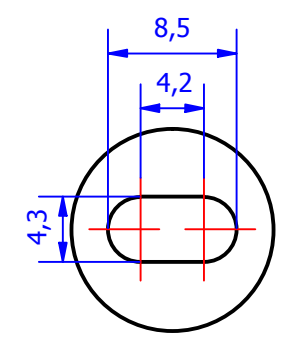


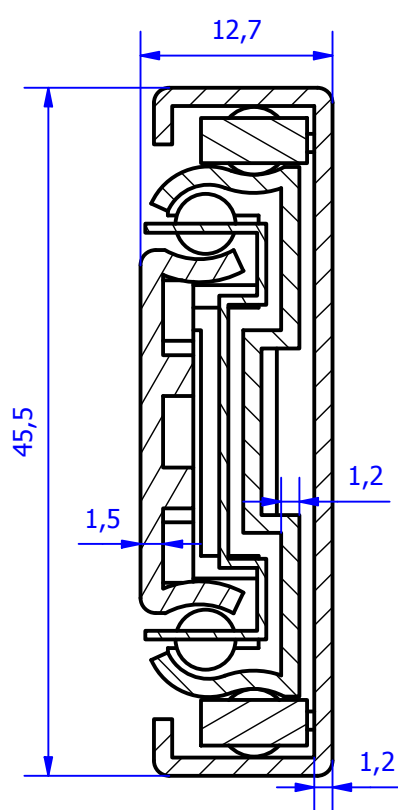
Cage with 76 ball bearings



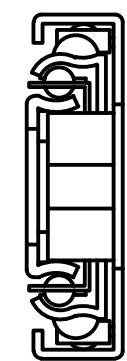
D (2 : 1)



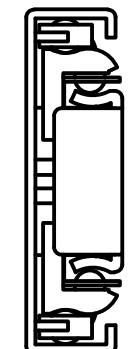
E (2 : 1)




C-C (2 : 1)

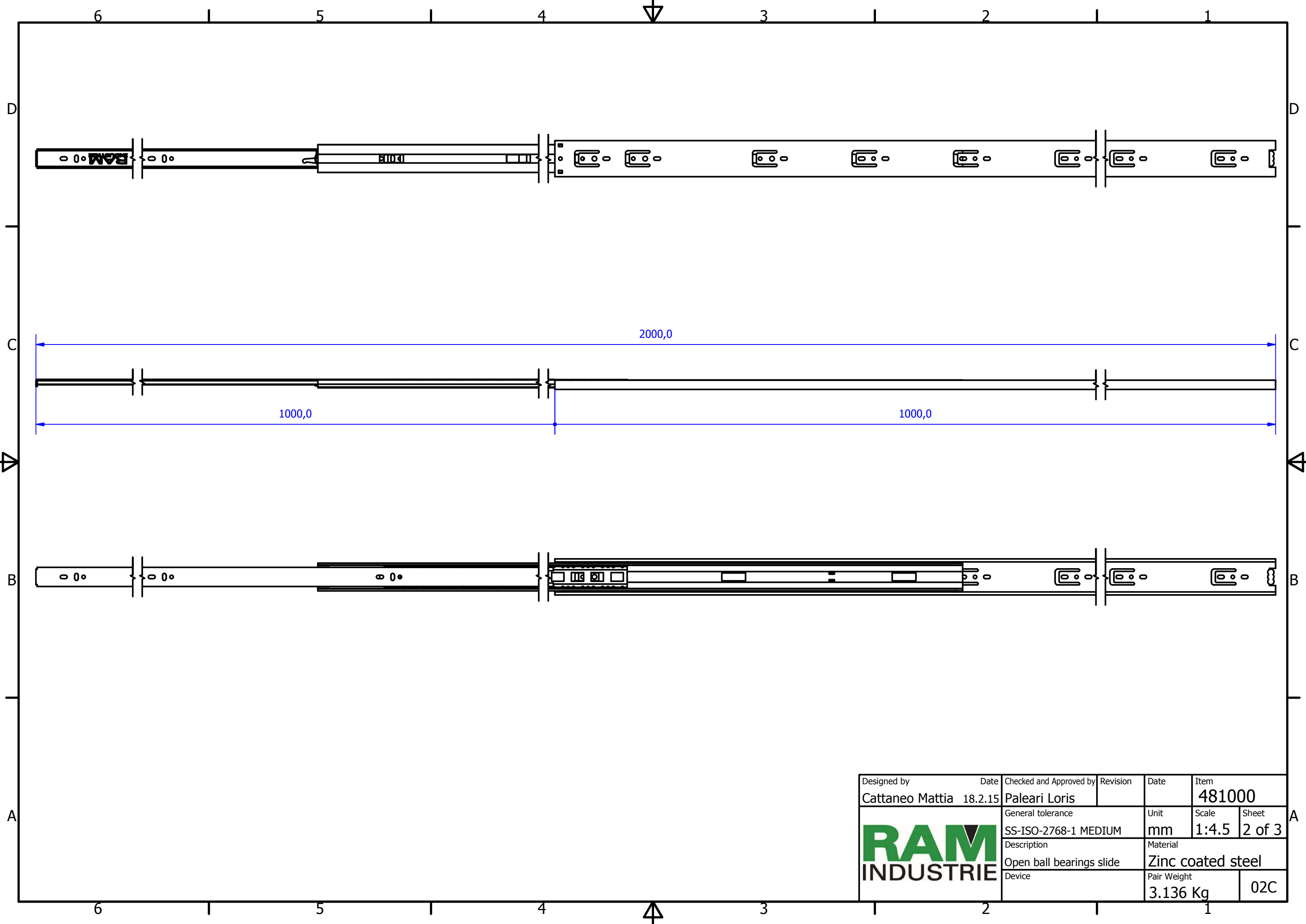



B (1 : 1)



A (1 : 1)

Designed by Cattaneo Mattia	Date 18.2.15	Checked and Approved by Paleari Loris	Revision	Date	Item 481000
		General tolerance SS-ISO-2768-1 MEDIUM		Unit mm	Scale 1:1.75
		Description Closed ball bearings slide		Material Zinc coated steel	
Device				Pair Weight 3.136 Kg	02C



Designed by	Date	Checked and Approved by	Revision	Date	Item
Cattaneo Mattia	18.2.15	Paleari Loris			481000
	General tolerance		Unit	Scale	Sheet
	SS-ISO-2768-1 MEDIUM		mm	1:4.5	2 of 3
	Description		Material		
Open ball bearings slide		Zinc coated steel			
Device		Pair Weight			
		3.136 Kg		02C	