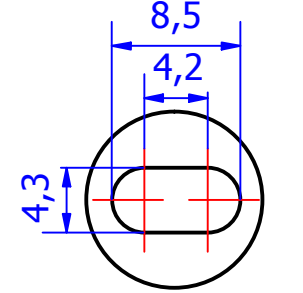
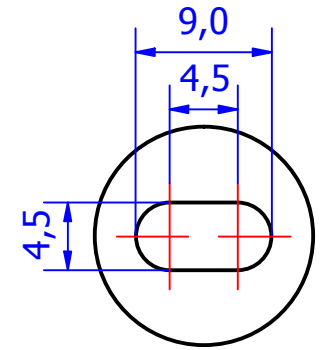


7,0 28,0 15,0 15,0 34,0 15,0 15,0 66,0 64,0 15,0 15,0 61,0

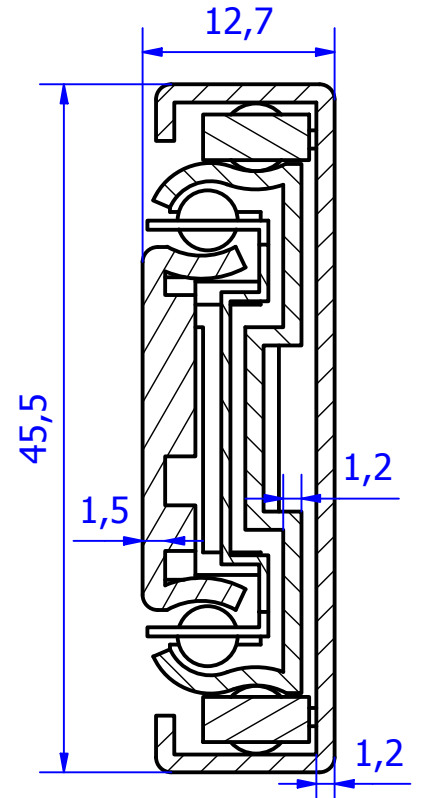
$\varnothing 4,3$
 $\varnothing 6,0$



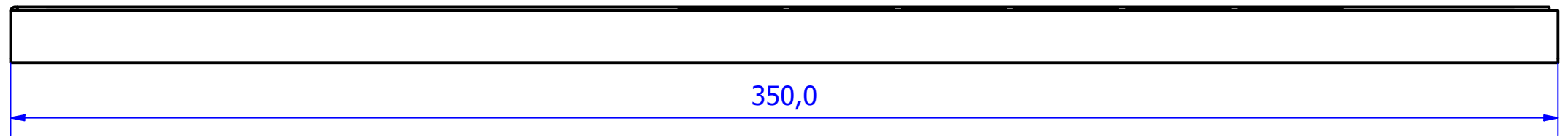
E (2:1)



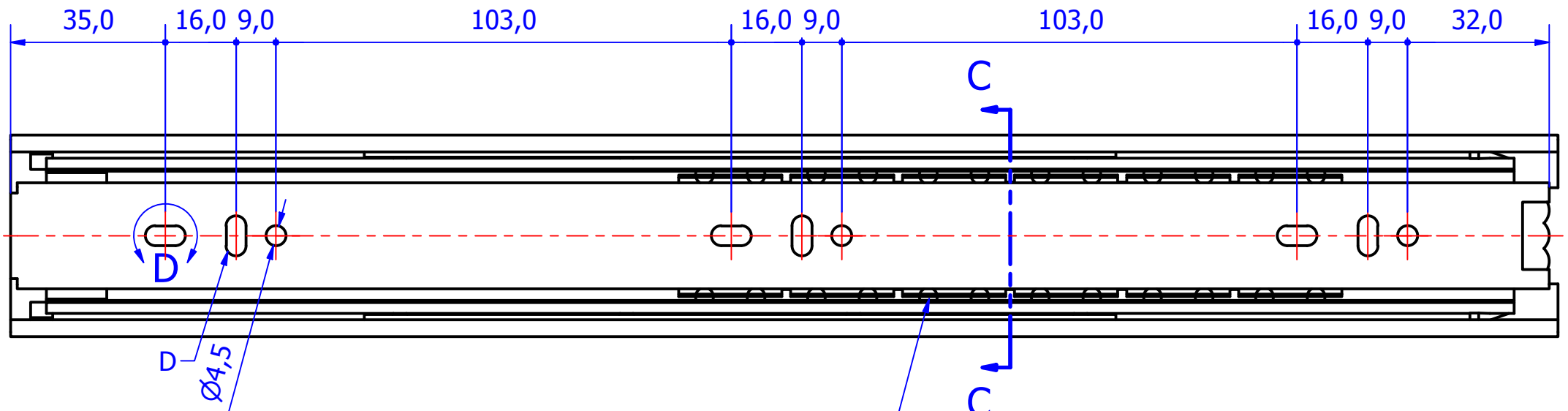
D (2:1)



C-C (2:1)



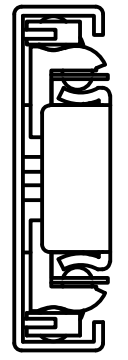
350,0



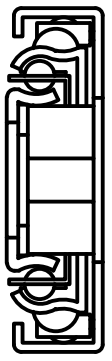
35,0 16,0 9,0 103,0 16,0 9,0 103,0 16,0 9,0 32,0

$\varnothing 4,5$


Cage with 24 ball bearings

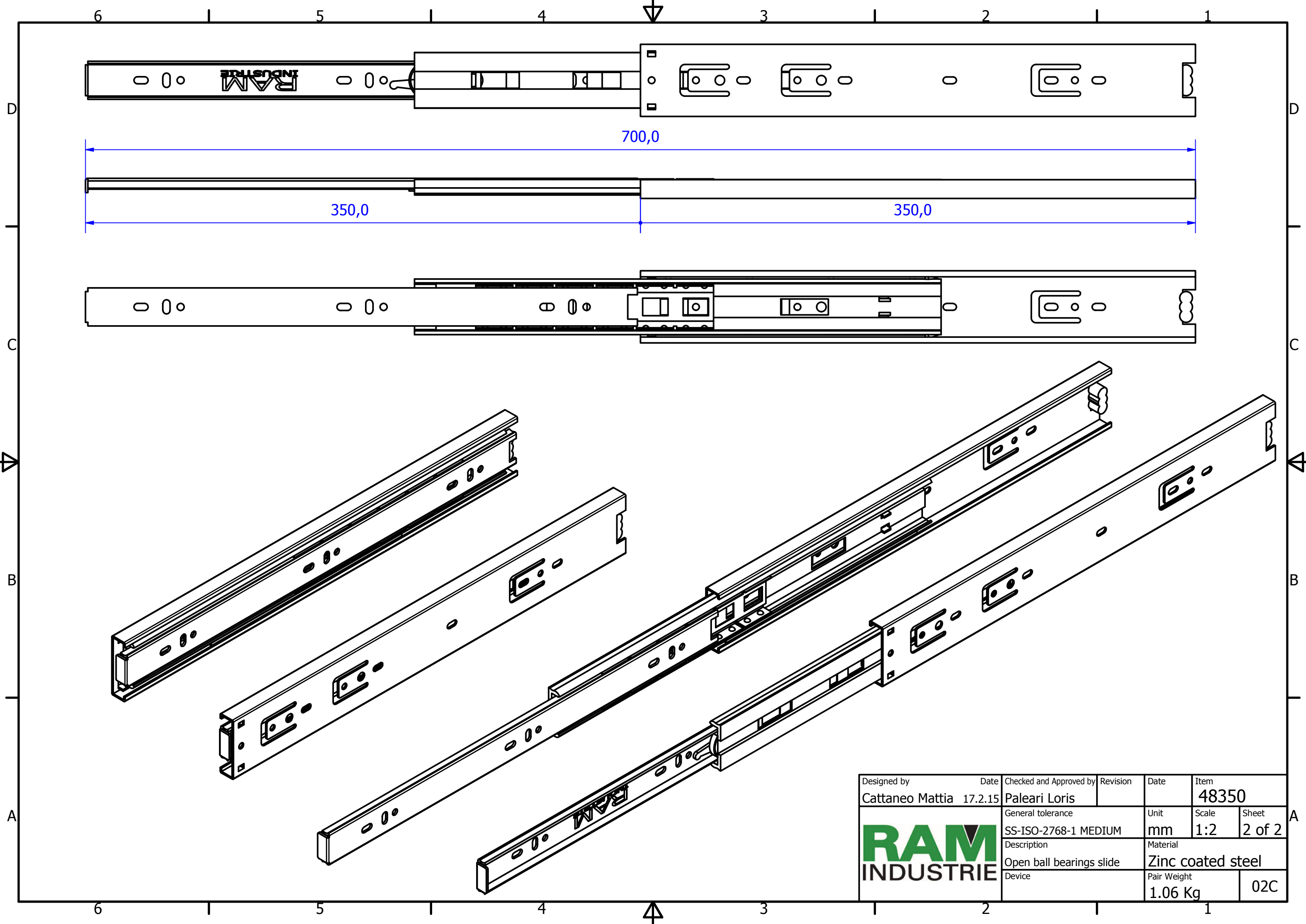



A (1:1)



B (1:1)

Designed by Cattaneo Mattia	Date 17.2.15	Checked and Approved by Paleari Loris	Revision	Date	Item 48350
			General tolerance SS-ISO-2768-1 MEDIUM	Unit mm	Scale 1:1.25
			Description Closed ball bearings slide	Material Zinc coated steel	Sheet 1 of 2
Device				Pair Weight 1.06 Kg	02C



Designed by Cattaneo Mattia	Date 17.2.15	Checked and Approved by Paleari Loris	Revision	Date	Item 48350
			General tolerance SS-ISO-2768-1 MEDIUM	Unit mm	Scale 1:2
			Description Open ball bearings slide	Material Zinc coated steel	
Device			Pair Weight 1.06 Kg	Sheet 2 of 2 02C	