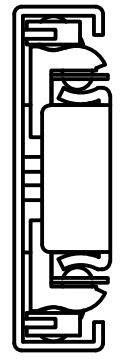
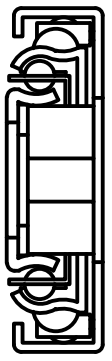



Cage with 32 ball bearings

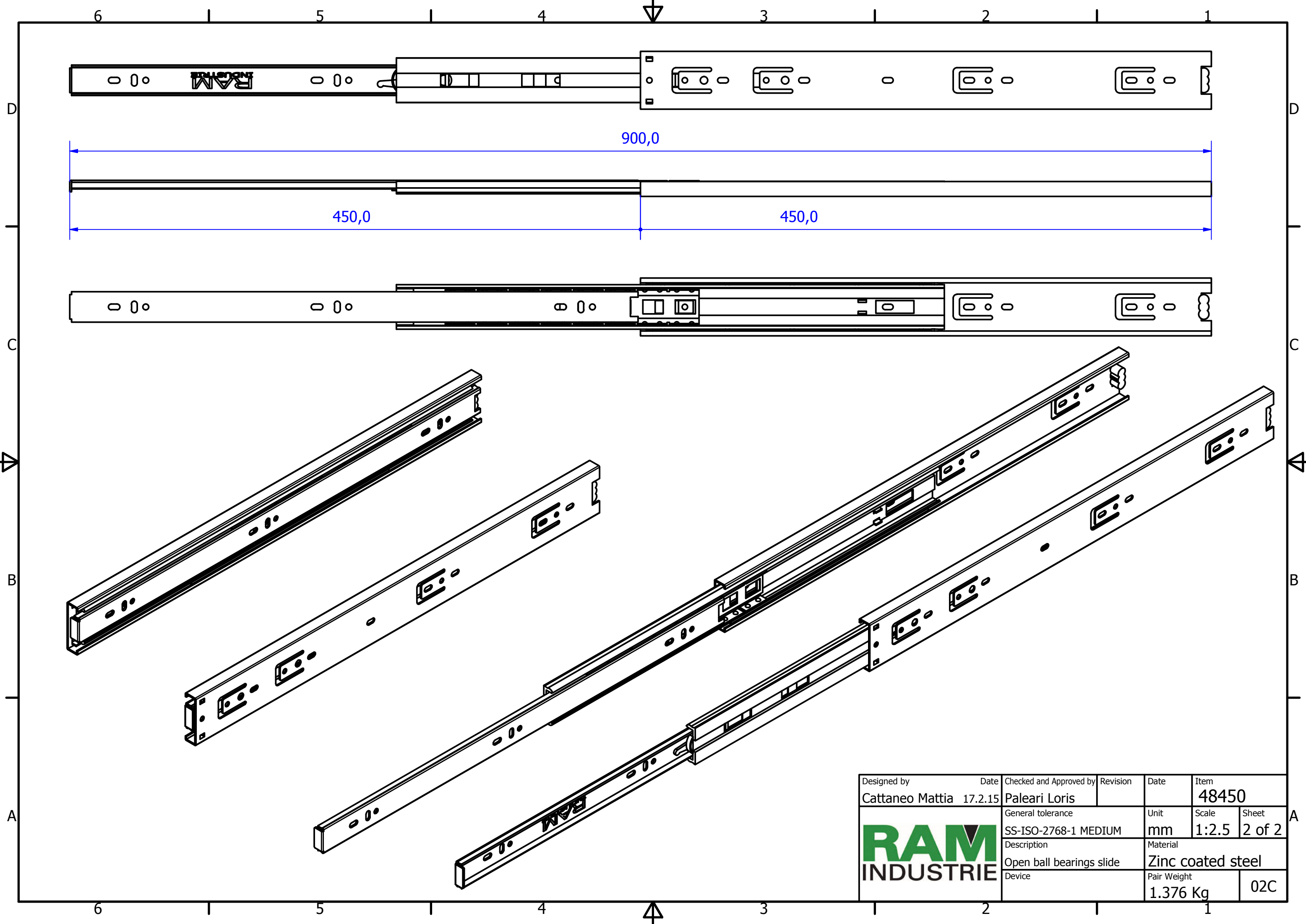


A (1 : 1)



B (1 : 1)

Designed by Cattaneo Mattia	Date 17.2.15	Checked and Approved by Paleari Loris	Revision	Date	Item 48450
			General tolerance SS-ISO-2768-1 MEDIUM	Unit mm	Scale 1:1.5
			Description Closed ball bearings slide	Material Zinc coated steel	Sheet 1 of 2
Device				Pair Weight 1.376 Kg	02C



Designed by	Date	Checked and Approved by	Revision	Date	Item
Cattaneo Mattia	17.2.15	Paleari Loris			48450
General tolerance			Unit	Scale	Sheet
SS-ISO-2768-1 MEDIUM			mm	1:2.5	2 of 2
Description			Material		
Open ball bearings slide			Zinc coated steel		
Device			Pair Weight	02C	
			1.376 Kg		

