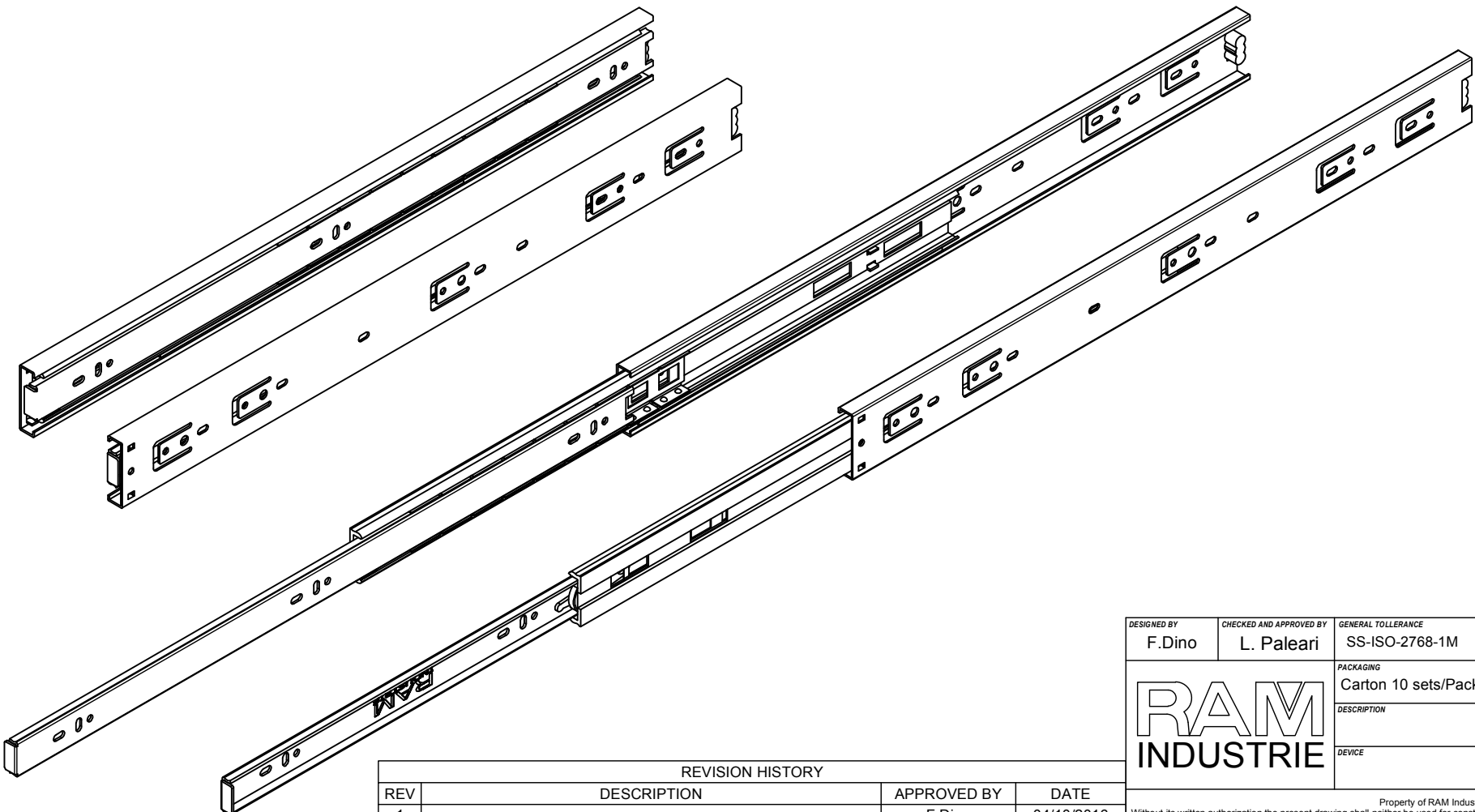
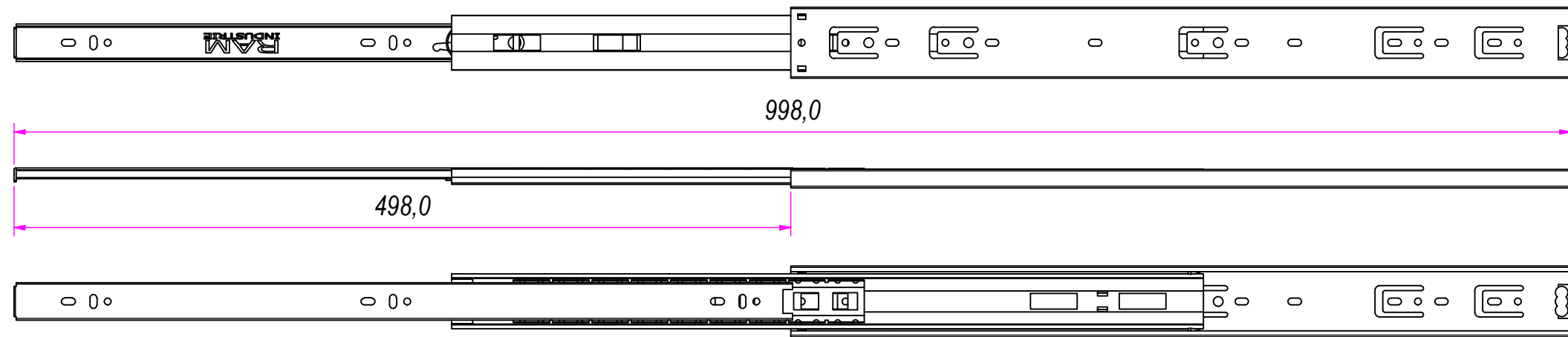


REVISION HISTORY			
REV	DESCRIPTION	APPROVED BY	DATE
1		F.Dino	04/10/2016

DESIGNED BY F.Dino	CHECKED AND APPROVED BY L. Paleari	GENERAL TOLLERANCE SS-ISO-2768-1M	DATE 04/10/2016	SHEET 1 of 2	CODE 48500
PACKAGING Carton 10 sets/Packed R+R			CYCLES TEST	SALT SPRAY TEST	L/O LABEL ✓
DESCRIPTION RAM INDUSTRIE				MATERIAL Cold rolled steel	
DEVICE			PAIR WEIGHT 1,528 Kg	UNIT mm	02C

Property of RAM Industrie.
Without its written authorization the present drawing shall neither be used for construction anyway, communicated to third parties, nor reproduced.



REVISION HISTORY			
REV	DESCRIPTION	APPROVED BY	DATE
1		F.Dino	04/10/2016

DESIGNED BY F.Dino	CHECKED AND APPROVED BY L. Paleari	GENERAL TOLLERANCE SS-ISO-2768-1M	DATE 04/10/2016	SHEET 2 of 2	CODE 48500
PACKAGING Carton 10 sets/Packed R+R			CYCLES TEST	SALT SPRAY TEST	L/O LABEL ✓
DESCRIPTION				MATERIAL Cold rolled steel	
DEVICE			PAIR WEIGHT 1,528 Kg	UNIT mm	02C

RAM
INDUSTRIE

Property of RAM Industrie.
Without its written authorization the present drawing shall neither be used for construction anyway, communicated to third parties, nor reproduced.