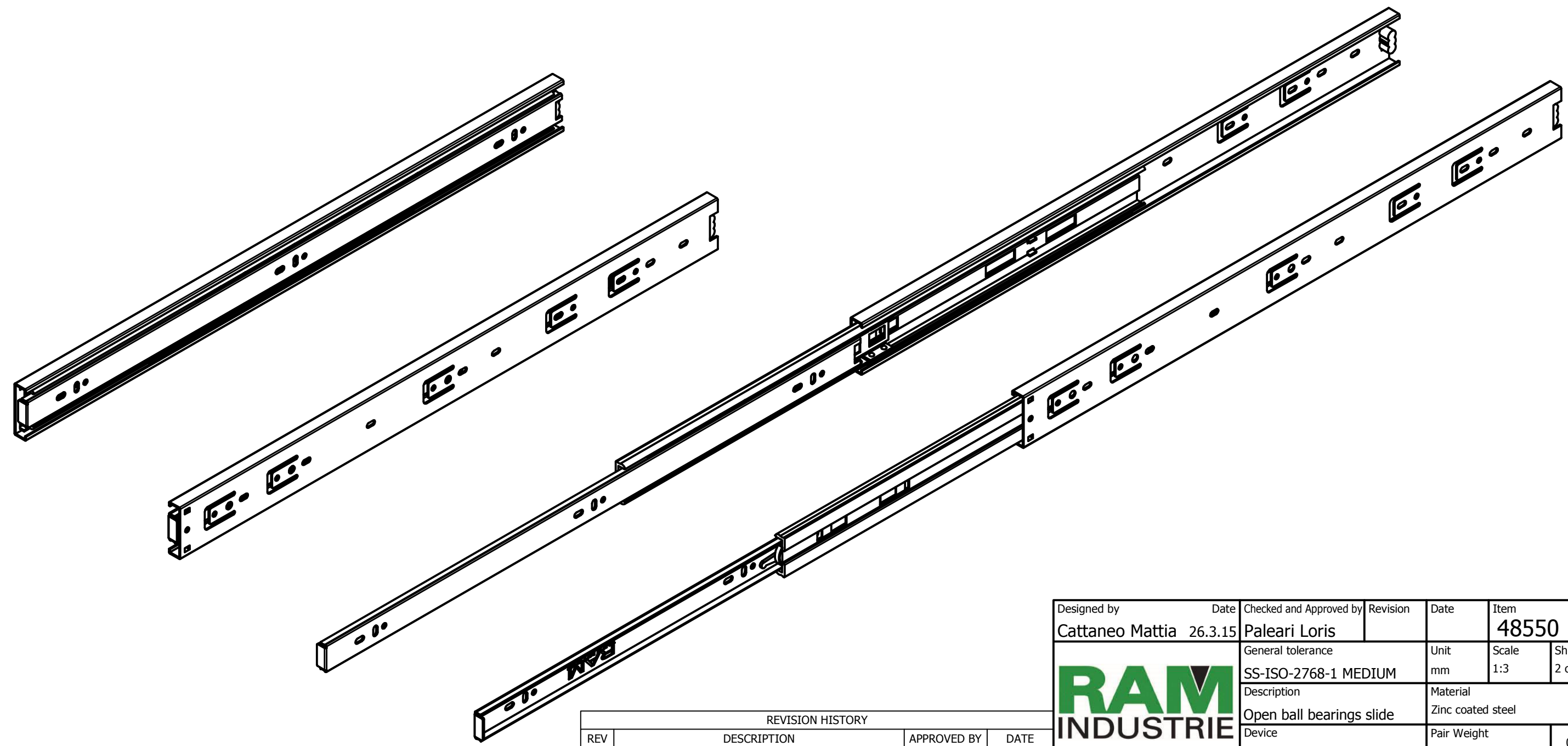
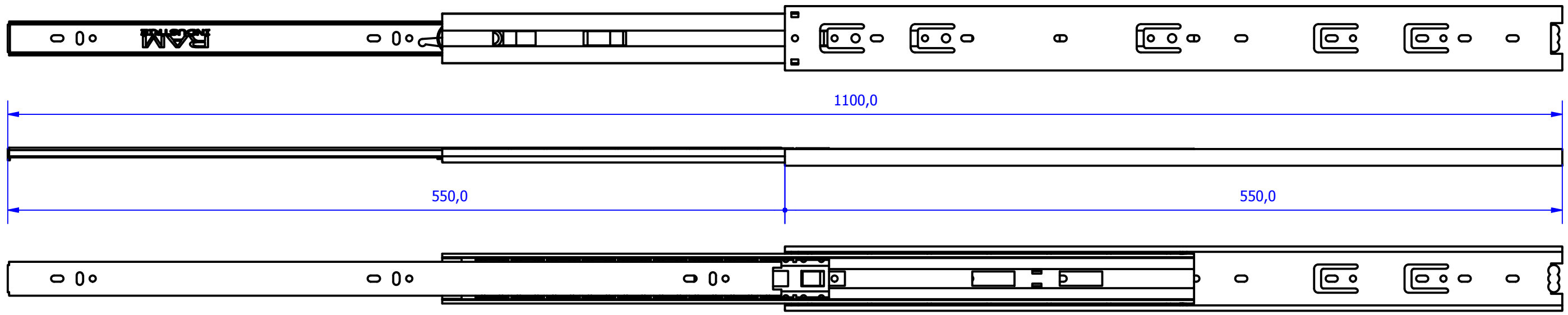



Designed by Cattaneo Mattia	Date 26.3.15	Checked and Approved by Paleari Loris	Revision	Date	Item 48550
General tolerance SS-ISO-2768-1 MEDIUM			Unit mm	Scale 1:1.5	Sheet 1 of 2
Description Closed ball bearings slide			Material Zinc coated steel		
Device			Pair Weight 1.68 Kg	02C	

REVISION HISTORY			
REV	DESCRIPTION	APPROVED BY	DATE
1	Eliminated slotted hole (18-09)	F.Dino	27/07/2018





REVISION HISTORY			
REV	DESCRIPTION	APPROVED BY	DATE
1	Eliminated slotted hole (18-09)	F.Dino	27/07/2018

Designed by Cattaneo Mattia	Date 26.3.15	Checked and Approved by Paleari Loris	Revision	Date	Item 48550
		General tolerance SS-ISO-2768-1 MEDIUM		Unit mm	Scale 1:3
		Description Open ball bearings slide		Material Zinc coated steel	
Device		Pair Weight 1.68 Kg		02C	