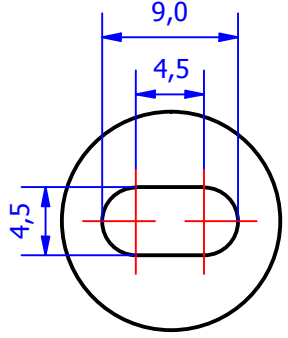
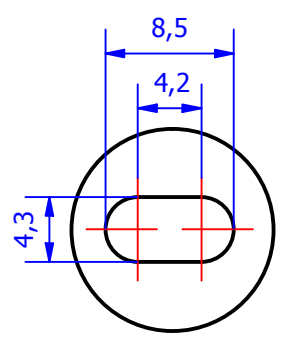


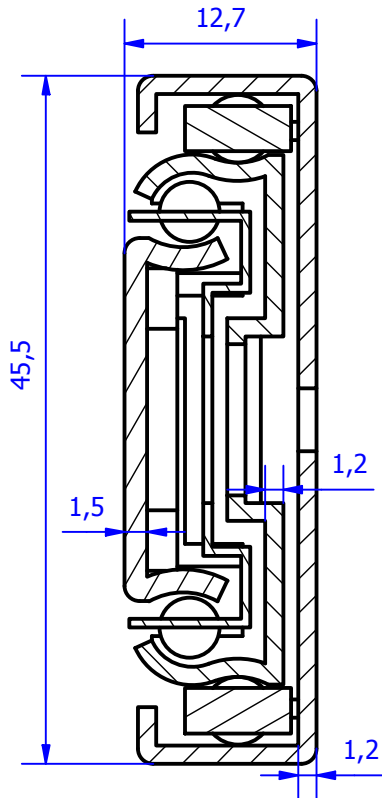
Cage with 52 ball bearings



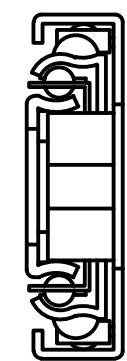
D (2 : 1)



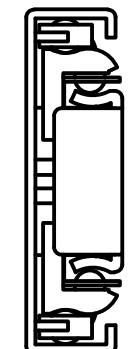
E (2 : 1)



C-C (2 : 1)

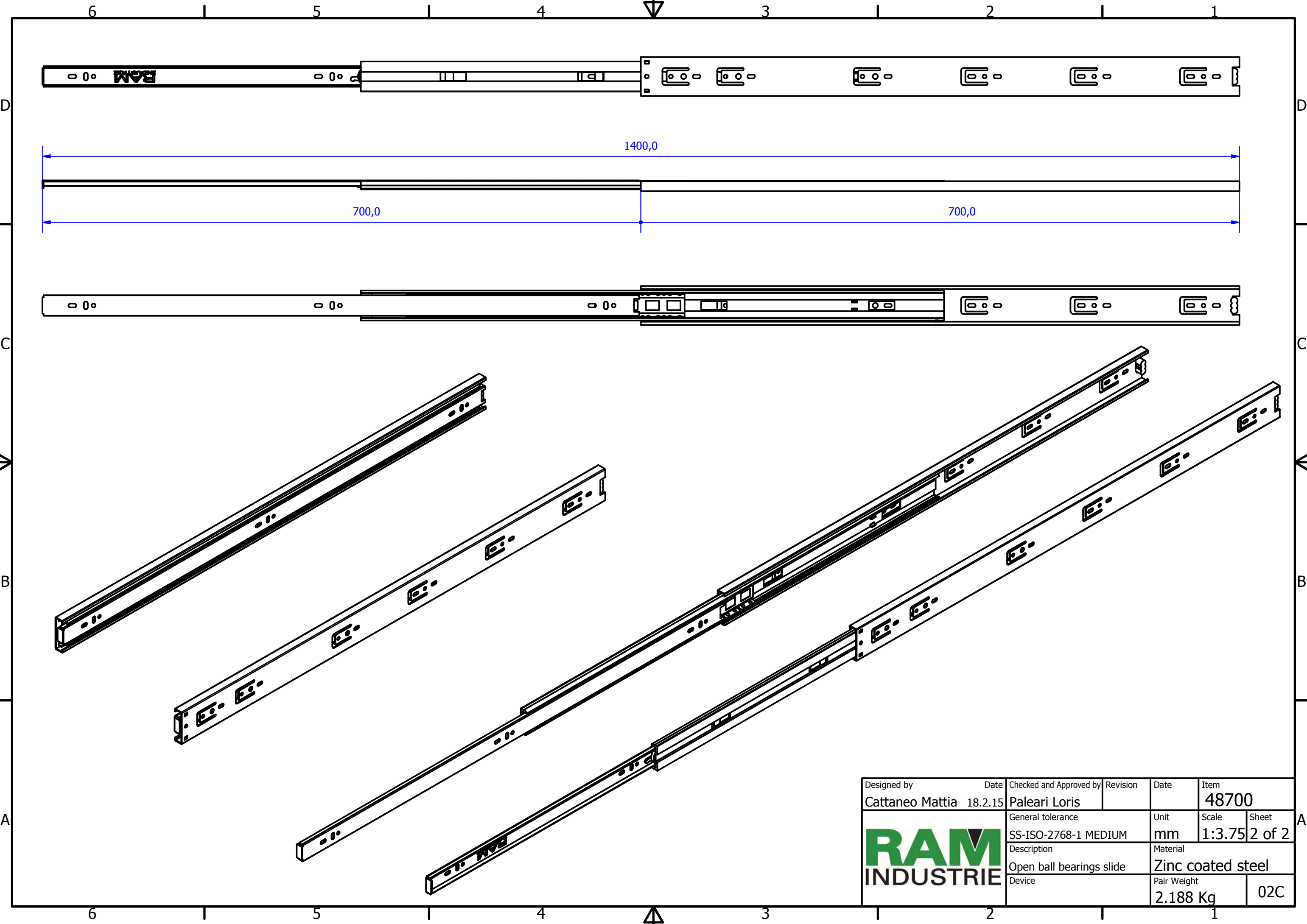



B (1 : 1)



A (1 : 1)

Designed by Cattaneo Mattia	Date 18.2.15	Checked and Approved by Paleari Loris	Revision	Date	Item 48700
		General tolerance SS-ISO-2768-1 MEDIUM	Unit mm	Scale 1:1.75	Sheet 1 of 2
		Description Closed ball bearings slide	Material Zinc coated steel		
		Device	Pair Weight 2.188 Kg	02C	



Designed by	Date	Checked and Approved by	Revision	Date	Item
Cattaneo Mattia	18.2.15	Paleari Loris			48700
	General tolerance		Unit	Scale	Sheet
	SS-ISO-2768-1 MEDIUM		mm	1:3.75	2 of 2
	Description		Material		
Open ball bearings slide		Zinc coated steel			
Device		Pair Weight		02C	
		2.188 Kg			