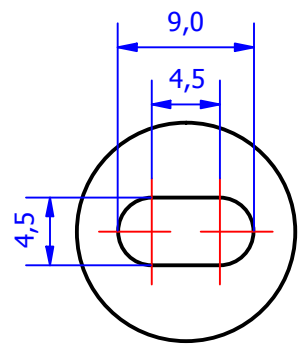
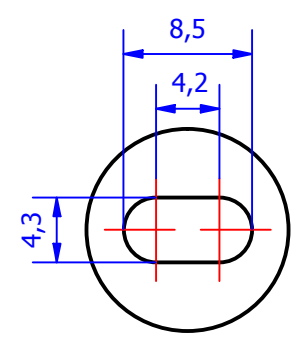


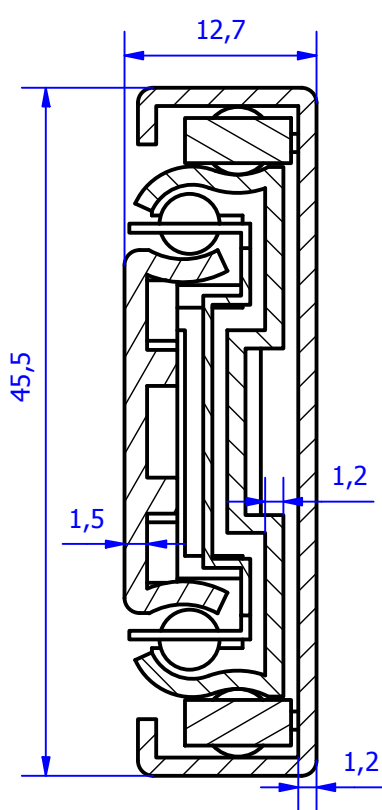
Cage with 56 ball bearings



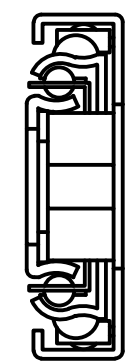
D (2 : 1)



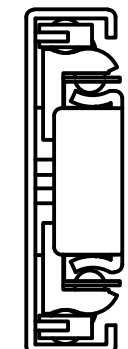
E (2 : 1)




C-C (2 : 1)

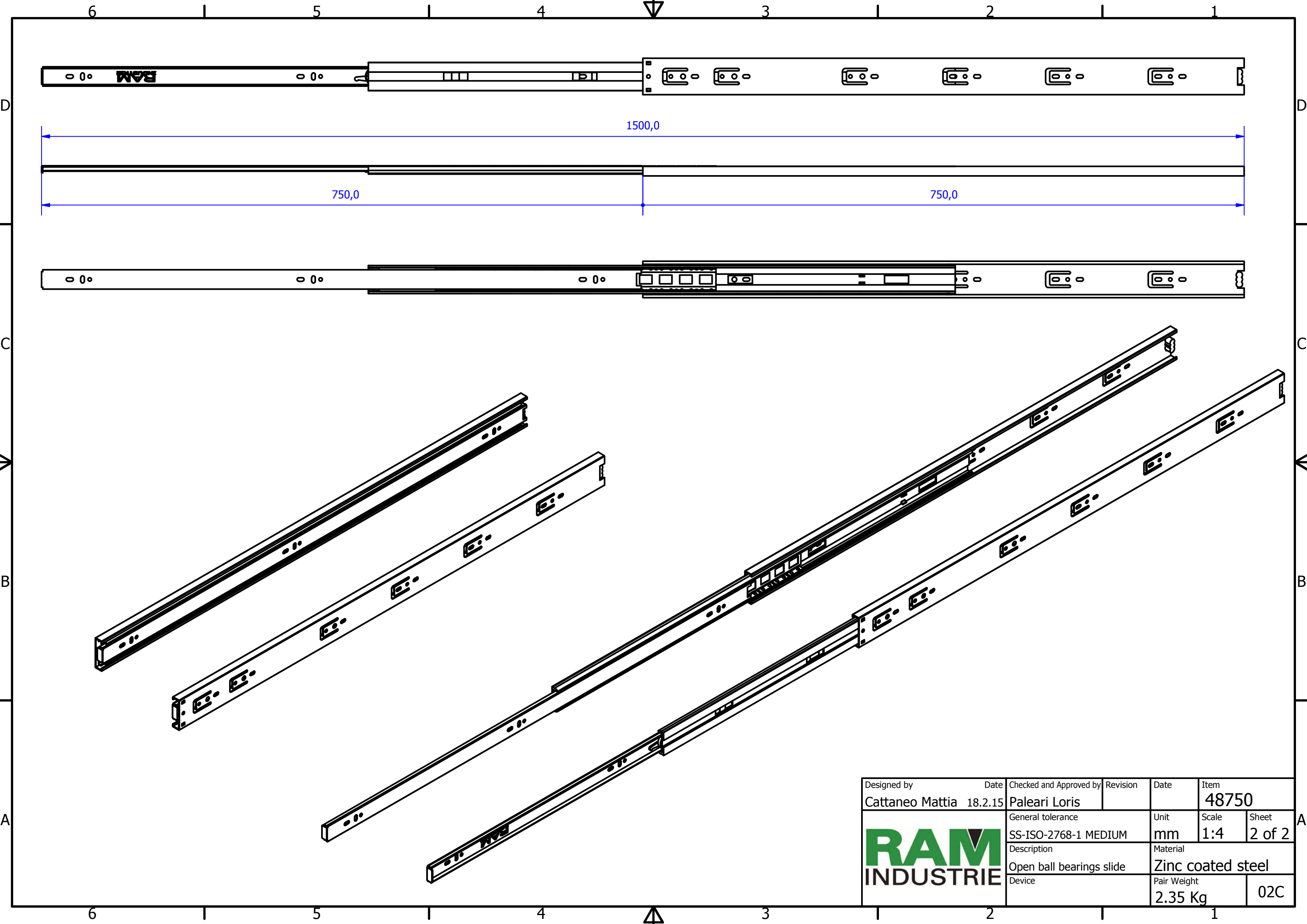


B (1 : 1)



A (1 : 1)

Designed by Cattaneo Mattia	Date 18.2.15	Checked and Approved by Paleari Loris	Revision	Date	Item 48750
		General tolerance SS-ISO-2768-1 MEDIUM	Unit mm	Scale 1:1.75	Sheet 1 of 2
		Description Closed ball bearings slide	Material Zinc coated steel	Pair Weight 2.35 Kg	02C



Designed by	Date	Checked and Approved by	Revision	Date	Item
Cattaneo Mattia	18.2.15	Paleari Loris			48750
General tolerance			Unit	Scale	Sheet
SS-ISO-2768-1 MEDIUM			mm	1:4	2 of 2
Description			Material		
Open ball bearings slide			Zinc coated steel		
Device			Pair Weight	02C	
			2.35 Kg		

