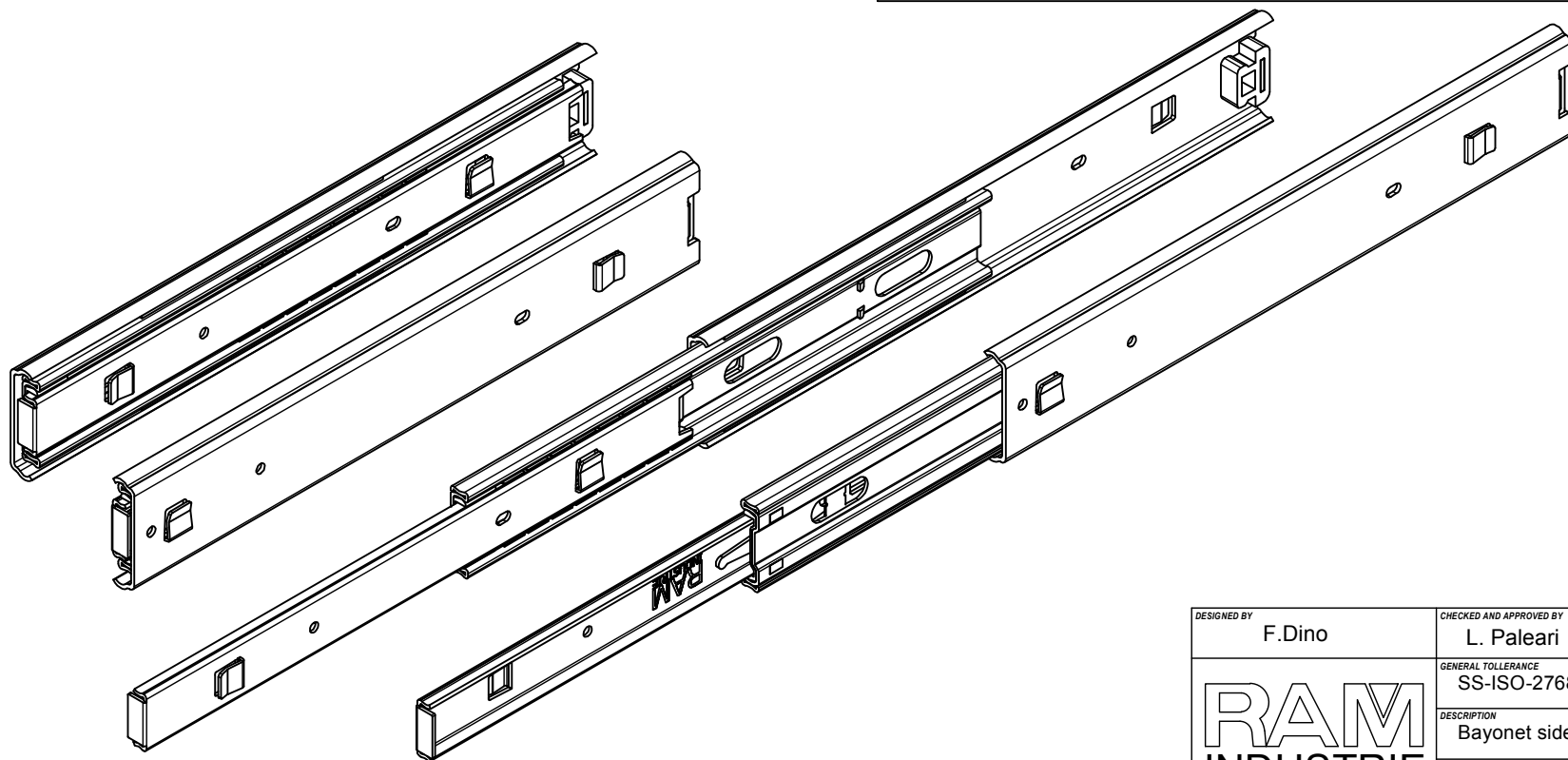
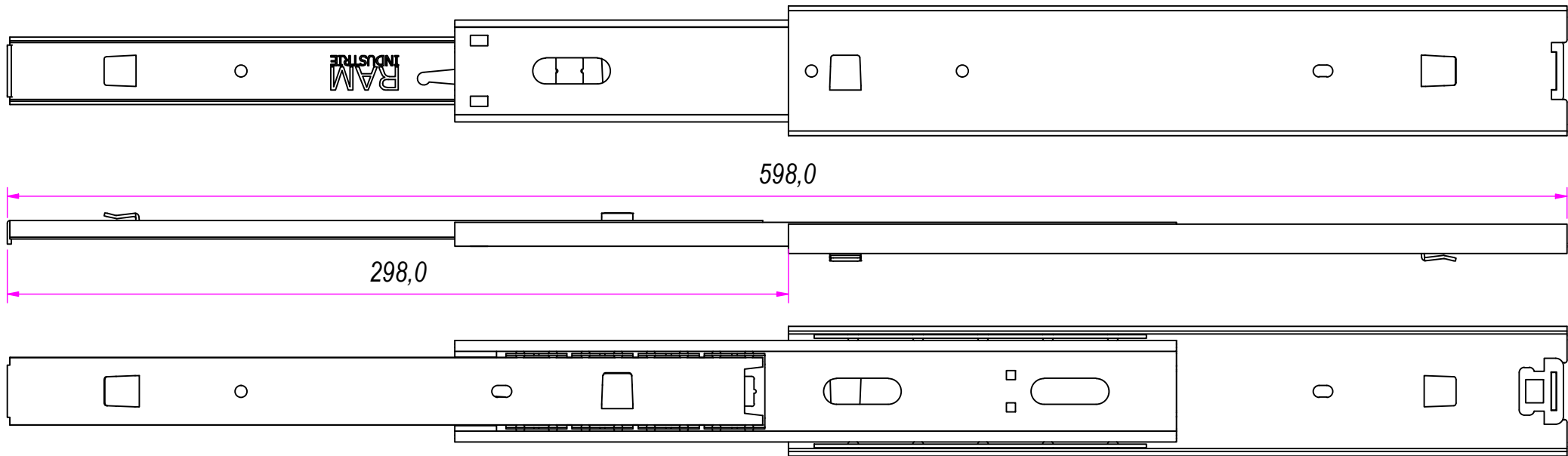



REVISION HISTORY			
REV	DESCRIPTION	APPROVED BY	DATE
1	Added slotted hole and hole (18-08)	F.Dino	26/07/2018

DESIGNED BY F.Dino	CHECKED AND APPROVED BY L. Paleari	REVISION	DATE 11/11/2016	CODE 52300
		GENERAL TOLLERANCE SS-ISO-2768-1M	UNIT mm	SCALE 1 of 2
		DESCRIPTION Bayonet side mounting	MATERIAL Cold rolled steel	
		DEVICE	PAIR WEIGHT 1,208 Kg	02C
Property of RAM Industrie. Without its written authorization the present drawing shall neither be used for construction anyway, communicated to third parties, nor reproduced.				



REVISION HISTORY			
REV	DESCRIPTION	APPROVED BY	DATE
1	Added slotted hole and hole (18-08)	F.Dino	26/07/2018

DESIGNED BY F.Dino	CHECKED AND APPROVED BY L. Paleari	REVISION	DATE 11/11/2016	CODE 52300
		GENERAL TOLLERANCE SS-ISO-2768-1M	UNIT mm	SCALE SHEET 2 of 2
		DESCRIPTION Bayonet side mounting	MATERIAL Cold rolled steel	
DEVICE		PAIR WEIGHT 1,208 Kg	02C	

Property of RAM Industrie.
Without its written authorization the present drawing shall neither be used for construction anyway, communicated to third parties, nor reproduced.