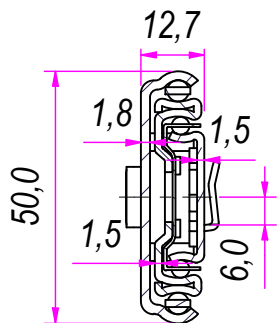
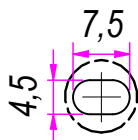


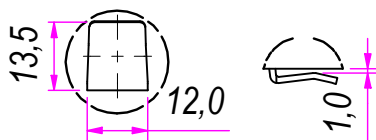
SEZ. A-A



B (1:1)



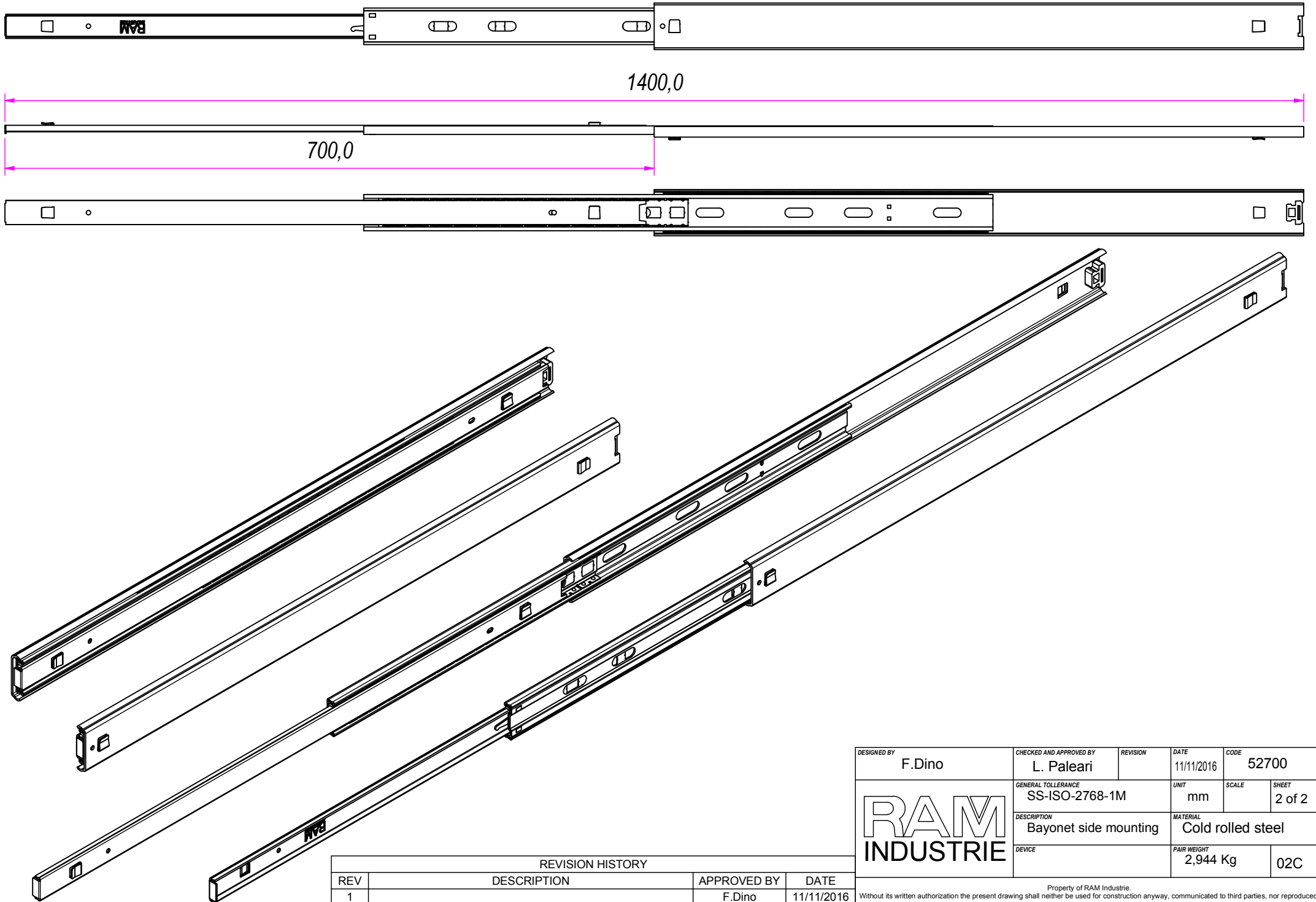
C (1:1.5)




REVISION HISTORY			
REV	DESCRIPTION	APPROVED BY	DATE
1		F.Dino	11/11/2016

DESIGNED BY F.Dino	CHECKED AND APPROVED BY L. Paleari	REVISION	DATE 11/11/2016	CODE 52700
GENERAL TOLLERANCE SS-ISO-2768-1M			UNIT mm	SCALE SHEET 1 of 2
DESCRIPTION Bayonet side mounting			MATERIAL Cold rolled steel	
DEVICE			PAIR WEIGHT 2,944 Kg	02C

**RAM**  
**INDUSTRIE**



REVISION HISTORY			
REV	DESCRIPTION	APPROVED BY	DATE
1		F.Dino	11/11/2016

DESIGNED BY F.Dino	CHECKED AND APPROVED BY L. Paleari	REVISION	DATE 11/11/2016	CODE 52700
		GENERAL TOLLERANCE SS-ISO-2768-1M	UNIT mm	SCALE SHEET 2 of 2
		DESCRIPTION Bayonet side mounting	MATERIAL Cold rolled steel	
DEVICE		PAIR WEIGHT 2,944 Kg	02C	

Property of RAM Industrie.  
Without its written authorization the present drawing shall neither be used for construction anyway, communicated to third parties, nor reproduced.