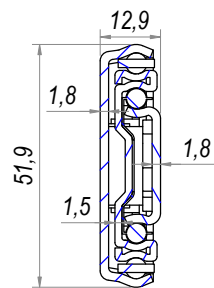
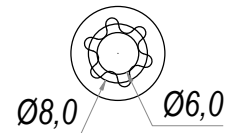


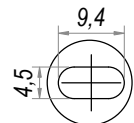
SEZ. A-A



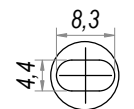
A →
D (1:1)



C (1:1)

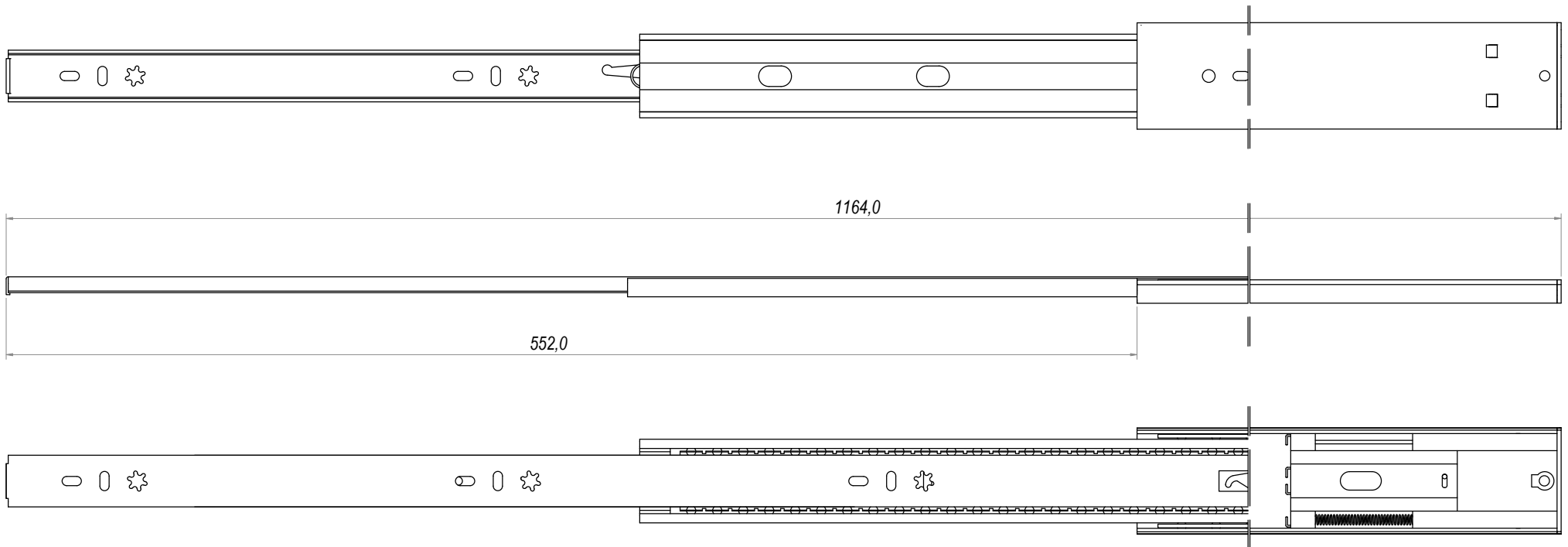



B (1:1)



DESIGNED BY A. d'Alesio	CHECKED AND APPROVED BY T. Grassi	GENERAL TOLLERANCE SS-ISO-2768-1M	DATE 13/12/2023	CODE 55600	
RAM INDUSTRIE		DESCRIPTION	MATERIAL	UNIT mm	SHEET 1 of 2
		DEVICE	PAIR WEIGHT WITH CARTON	PACKAGING Carton 1 piece	

Property of RAM industrie
Without its written authorization the present drawing shall neither be used for construction anyway, communicated to third parties, nor reproduced.



DESIGNED BY A. d'Alesio	CHECKED AND APPROVED BY T. Grassi	GENERAL TOLLERANCE SS-ISO-2768-1M	DATE 13/12/2023	CODE 55600	
		DECRPTION	MATERIAL	UNIT mm	SHEET 2 of 2
		DEVICE	PAIR WEIGHT WITH CARTON	PACKAGING Carton 1 piece	

Property of RAM industrie
 Without its written authorization the present drawing shall neither be used for construction anyway, communicated to third parties, nor reproduced.