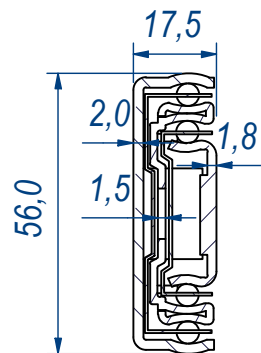
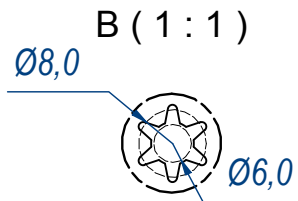
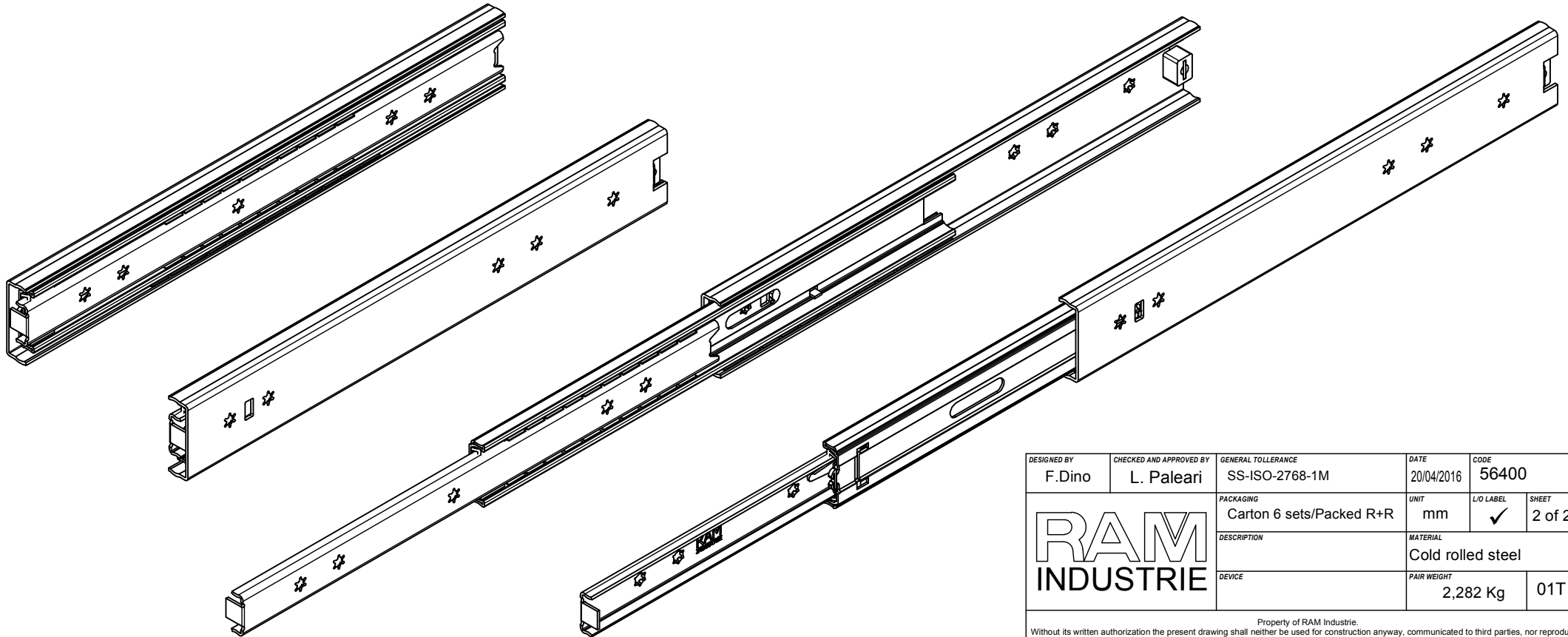
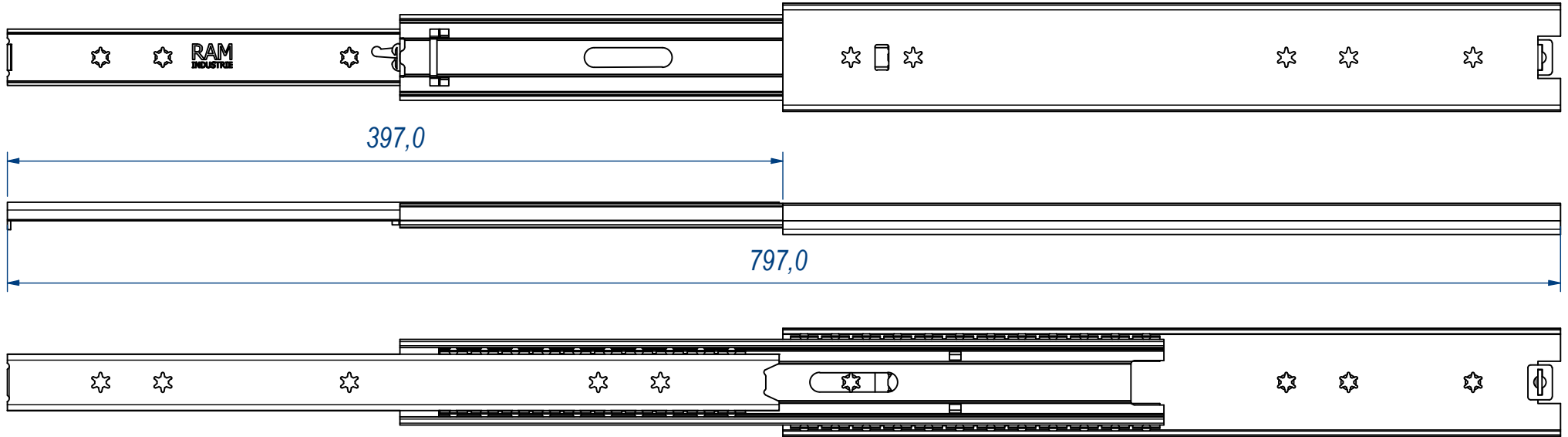



SEZ. A-A



DESIGNED BY F. Dino	CHECKED AND APPROVED BY L. Paleari	GENERAL TOLERANCE SS-ISO-2768-1M	DATE 20/04/2016	CODE 56400
PACKAGING Carton 6 sets/Packed R+R			UNIT mm	L/O LABEL ✓
			MATERIAL Cold rolled steel	
			PAIR WEIGHT 2,282 Kg	SHEET 1 of 2

Property of RAM Industrie.
Without its written authorization the present drawing shall neither be used for construction anyway, communicated to third parties, nor reproduced.



DESIGNED BY F.Dino	CHECKED AND APPROVED BY L. Paleari	GENERAL TOLERANCE SS-ISO-2768-1M	DATE 20/04/2016	CODE 56400	
		PACKAGING Carton 6 sets/Packed R+R	UNIT mm	L/O LABEL ✓	SHEET 2 of 2
		DESCRIPTION	MATERIAL Cold rolled steel		
DEVICE	PAIR WEIGHT 2,282 Kg		01T		

Property of RAM Industrie.
Without its written authorization the present drawing shall neither be used for construction anyway, communicated to third parties, nor reproduced.