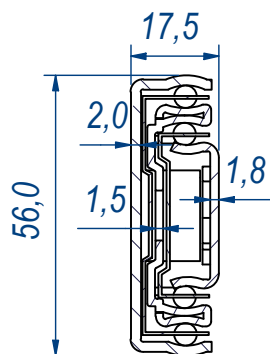
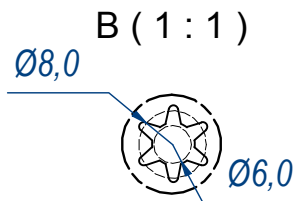
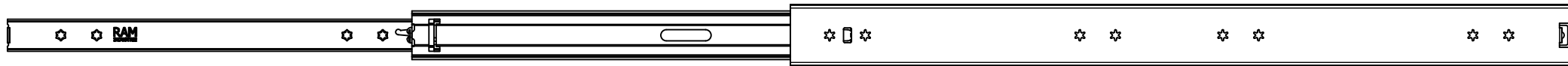


SEZ. A-A



DESIGNED BY F.Dino	CHECKED AND APPROVED BY L. Paleari	GENERAL TOLERANCE SS-ISO-2768-1M	DATE 20/04/2016	SHEET 1 of 2	CODE 56700
PACKAGING Carton 4 sets/Packed R+R			CYCLES TEST ✓	SALT SPRAY TEST	L/O LABEL ✓
				MATERIAL Cold rolled steel	
				PAIR WEIGHT 4,06 Kg	UNIT mm

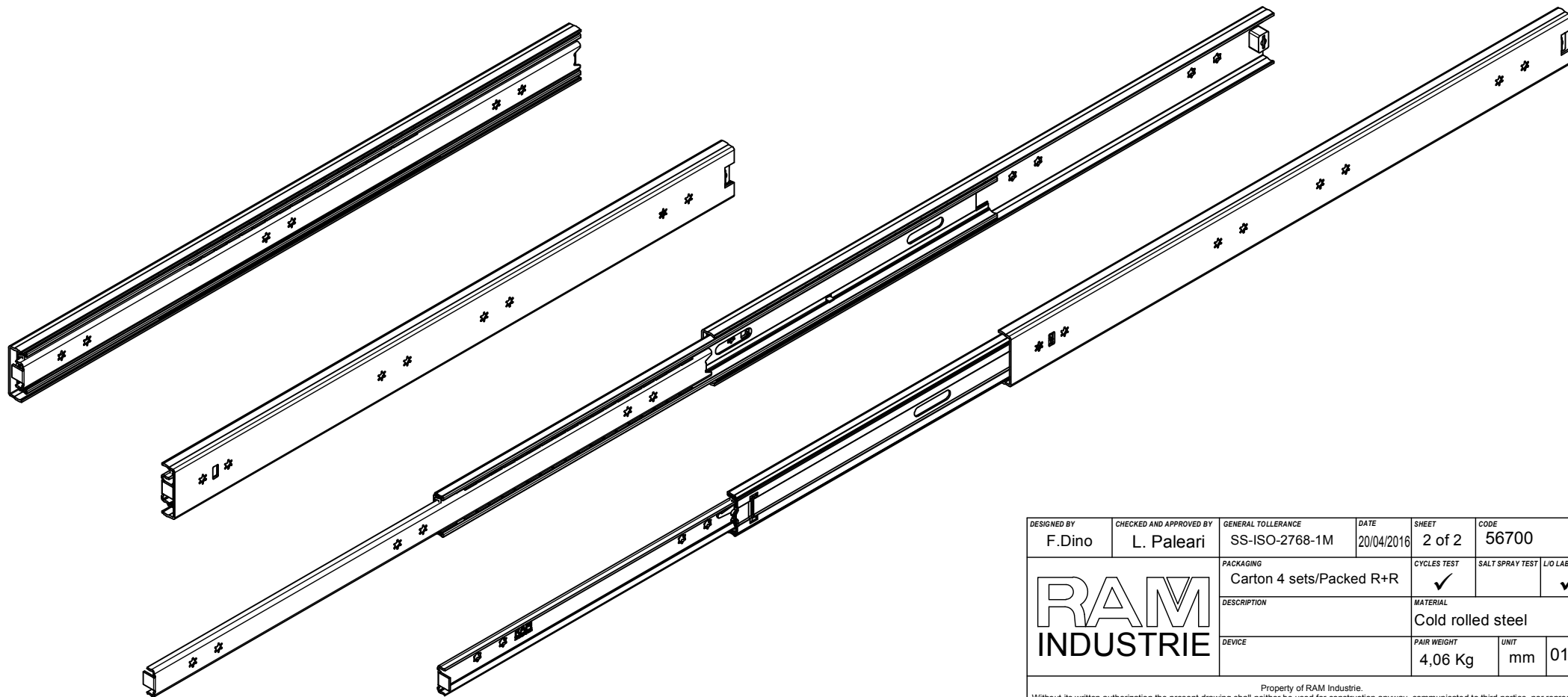
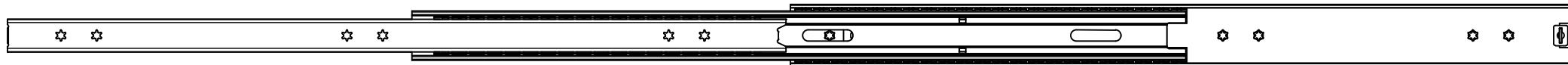
Property of RAM Industrie.
Without its written authorization the present drawing shall neither be used for construction anyway, communicated to third parties, nor reproduced.



702,0



1402,0



DESIGNED BY F. Dino	CHECKED AND APPROVED BY L. Paleari	GENERAL TOLERANCE SS-ISO-2768-1M	DATE 20/04/2016	SHEET 2 of 2	CODE 56700
PACKAGING Carton 4 sets/Packed R+R			CYCLES TEST ✓	SALT SPRAY TEST	L/O LABEL ✓
DESCRIPTION RAM INDUSTRIE				MATERIAL Cold rolled steel	
DEVICE			PAIR WEIGHT 4,06 Kg	UNIT mm	01T

Property of RAM Industrie.
Without its written authorization the present drawing shall neither be used for construction anyway, communicated to third parties, nor reproduced.