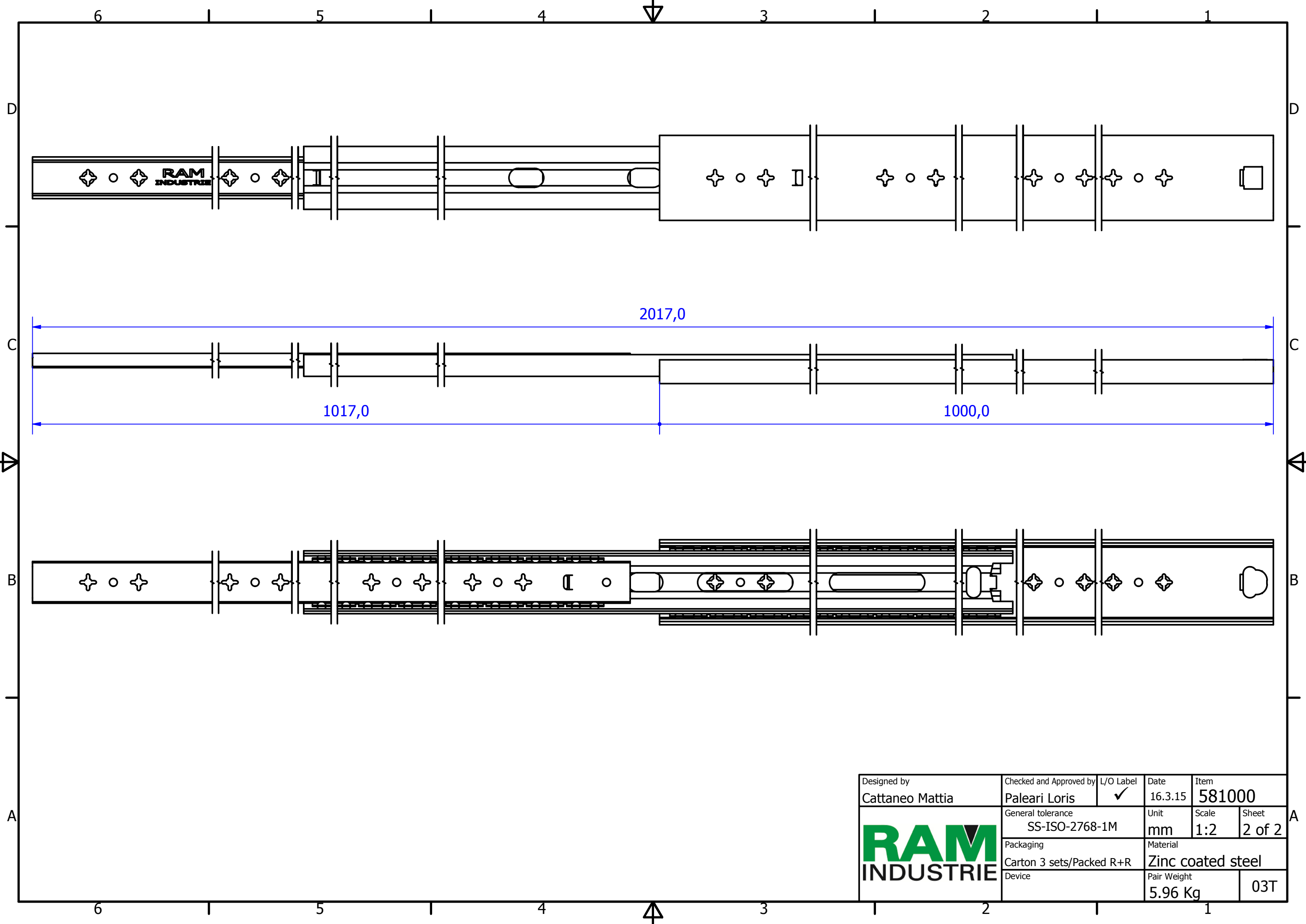

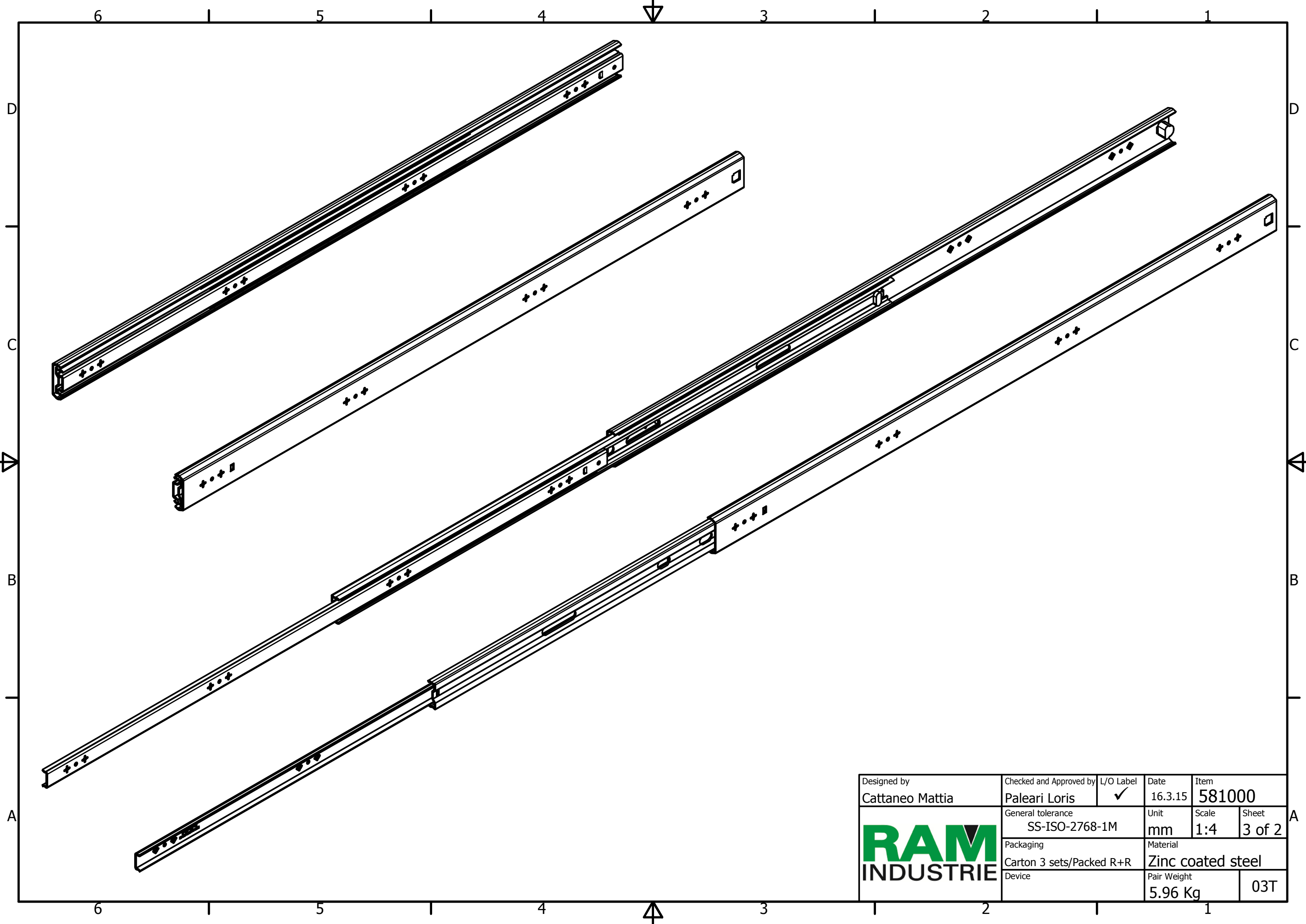



Designed by Cattaneo Mattia	Checked and Approved by Paleari Loris	L/O Label ✓	Date 16.3.15	Item 581000
RAM INDUSTRIE	General tolerance SS-ISO-2768-1M		Unit mm	Scale 1:1.5
	Packaging Carton 3 sets/Packed R+R		Material Zinc coated steel	
	Device		Pair Weight 5.96 Kg	03T

A



Designed by Cattaneo Mattia	Checked and Approved by Paleari Loris	L/O Label ✓	Date 16.3.15	Item 581000
	General tolerance SS-ISO-2768-1M		Unit mm	Scale 1:2
	Packaging Carton 3 sets/Packed R+R		Material Zinc coated steel	
	Device		Pair Weight 5.96 Kg	03T



Designed by Cattaneo Mattia	Checked and Approved by Paleari Loris	L/O Label ✓	Date 16.3.15	Item 581000
	General tolerance SS-ISO-2768-1M	Unit mm	Scale 1:4	Sheet 3 of 2
	Packaging Carton 3 sets/Packed R+R	Material Zinc coated steel		
	Device	Pair Weight 5.96 Kg	03T	