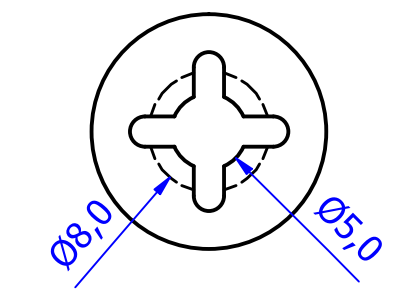
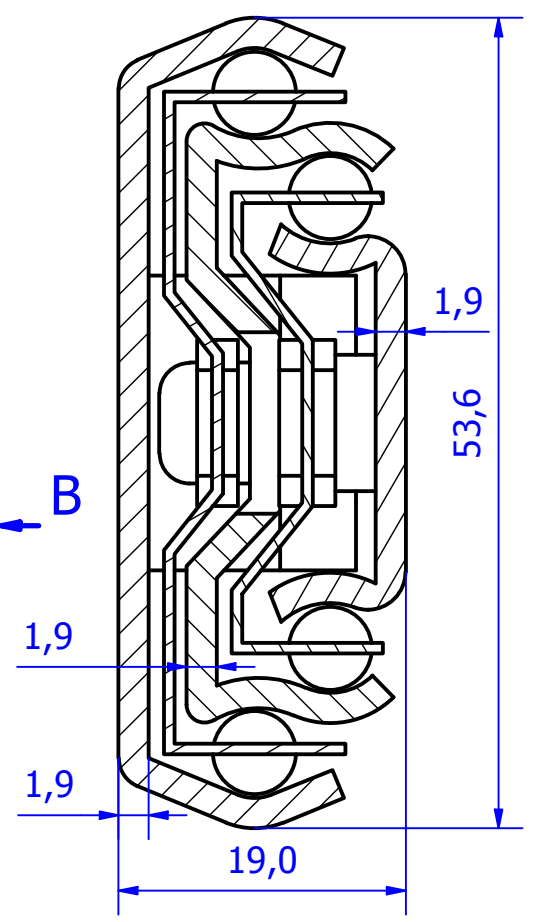


D (2 : 1)

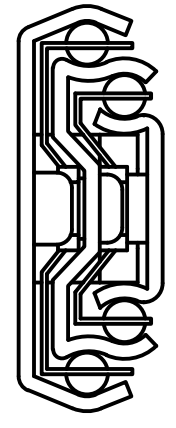


C-C (2 : 1)

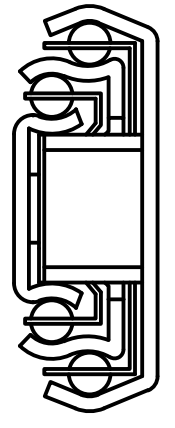



Cage with 10 ball bearings  
Cage with 8 ball bearings

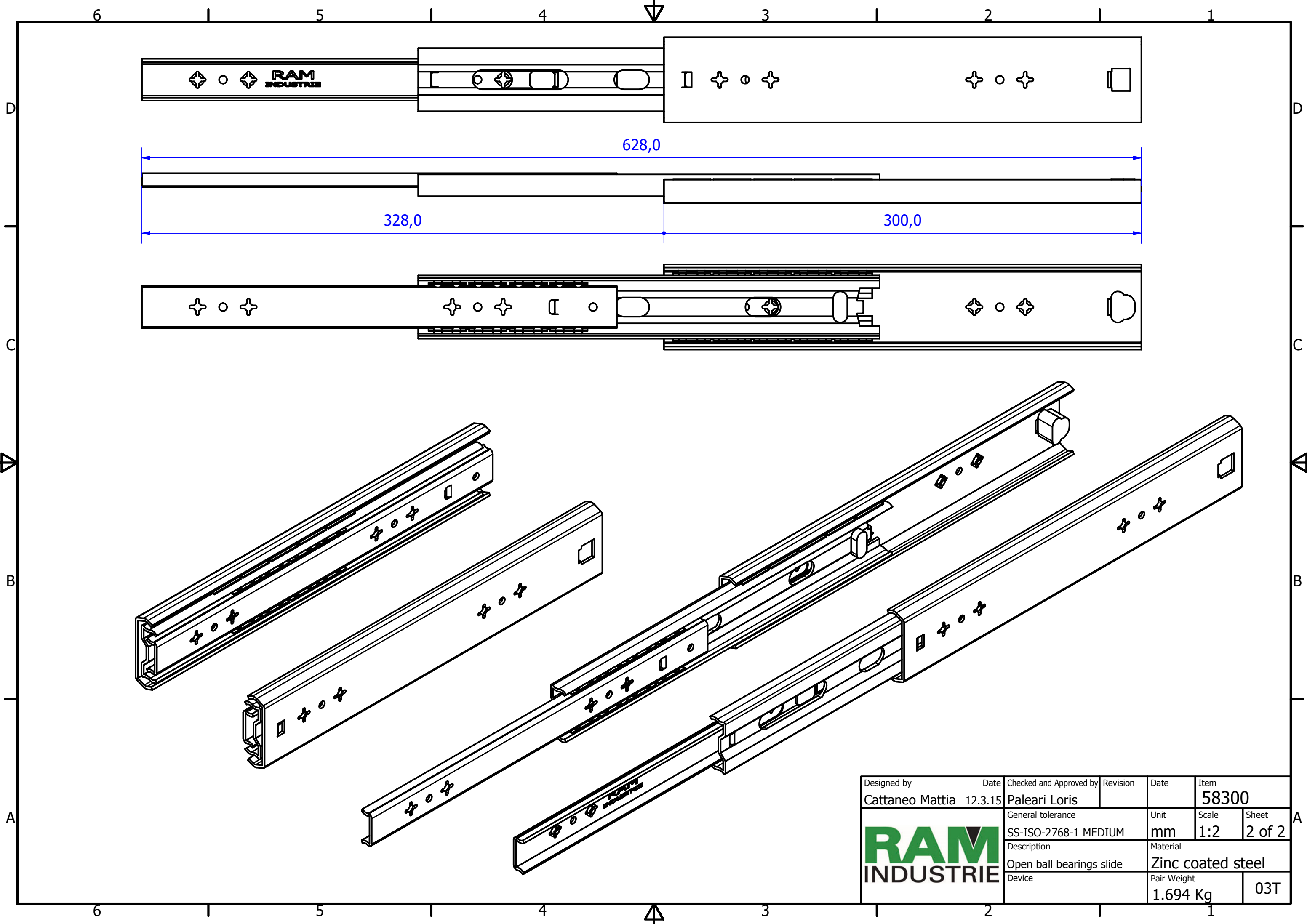
A (1 : 1)



B (1 : 1)



Designed by Cattaneo Mattia	Date 12.3.15	Checked and Approved by Paleari Loris	Revision	Date	Item 58300
			General tolerance SS-ISO-2768-1 MEDIUM	Unit mm	Scale 1:1
			Description Closed ball bearings slide	Material Zinc coated steel	Sheet 1 of 2
Device				Pair Weight 1.694 Kg	03T



Designed by	Date	Checked and Approved by	Revision	Date	Item
Cattaneo Mattia	12.3.15	Paleari Loris			58300
General tolerance			Unit	Scale	Sheet
SS-ISO-2768-1 MEDIUM			mm	1:2	2 of 2
Description			Material		
Open ball bearings slide			Zinc coated steel		
Device			Pair Weight	03T	
			1.694 Kg		

