

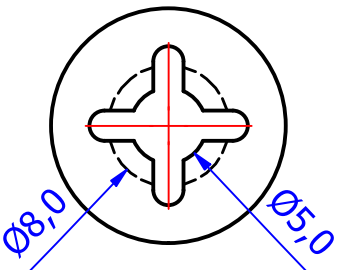
Cage with 32 ball bearings
Cage with 34 ball bearings


D (2 : 1)

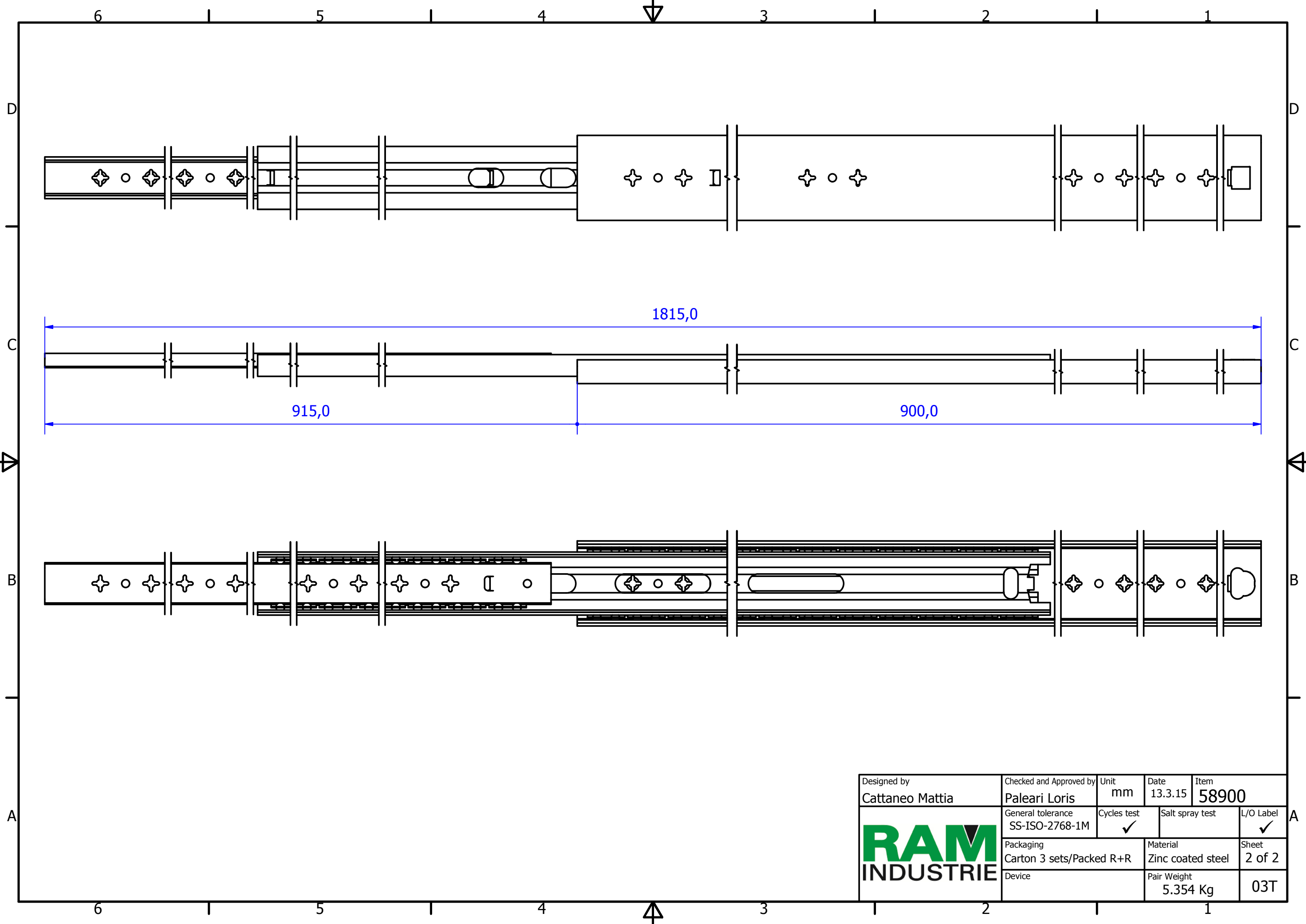
A (1.5 : 1)

B (1.5 : 1)

C-C (1.5 : 1)




Designed by Cattaneo Mattia	Checked and Approved by Paleari Loris	Unit mm	Date 13.3.15	Item 58900
		General tolerance SS-ISO-2768-1M	Cycles test ✓	Salt spray test
		Packaging Carton 3 sets/Packed R+R	Material Zinc coated steel	Sheet 1 of 2
Device			Pair Weight 5.354 Kg	03T

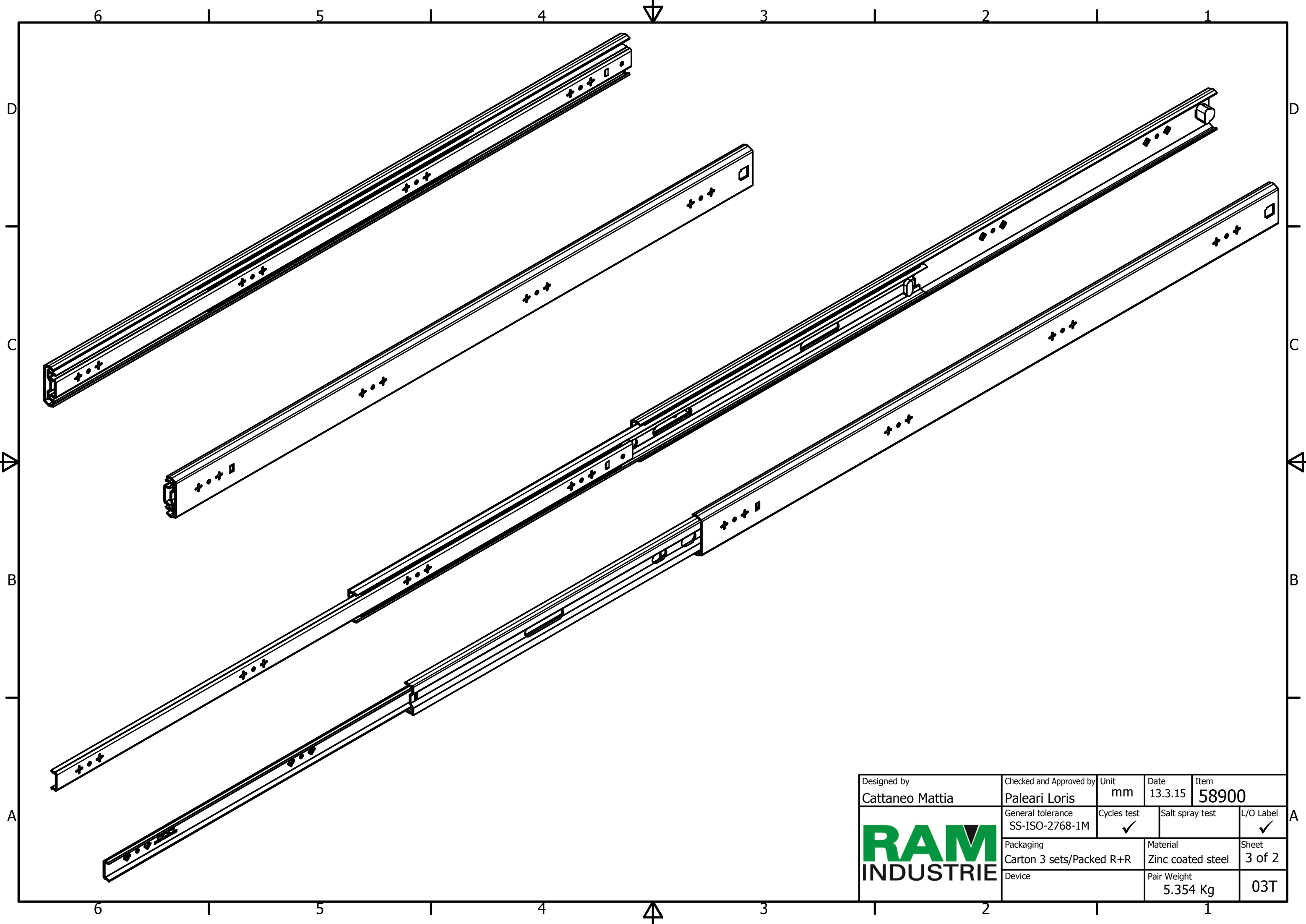



1815,0

915,0

900,0

Designed by Cattaneo Mattia	Checked and Approved by Paleari Loris	Unit mm	Date 13.3.15	Item 58900
	General tolerance SS-ISO-2768-1M	Cycles test ✓	Salt spray test	L/O Label ✓
	Packaging Carton 3 sets/Packed R+R	Material Zinc coated steel	Sheet 2 of 2	
	Device	Pair Weight 5.354 Kg	03T	



Designed by Cattaneo Mattia	Checked and Approved by Paleari Loris	Unit mm	Date 13.3.15	Item 58900
	General tolerance SS-ISO-2768-1M	Cycles test ✓	Salt spray test	L/O Label ✓
	Packaging Carton 3 sets/Packed R+R	Material Zinc coated steel	Sheet 3 of 2	
	Device	Pair Weight 5.354 Kg	03T	