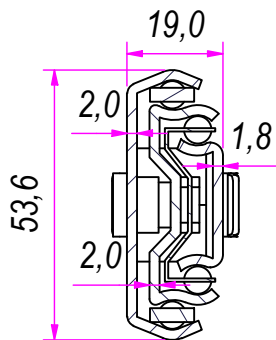
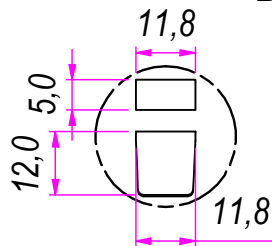


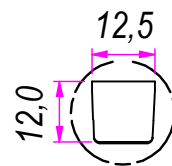
SEZ. A-A



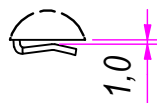
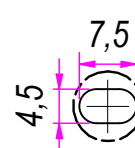
B (1 : 1.5)



C (1 : 1.5)



D (1 : 1)

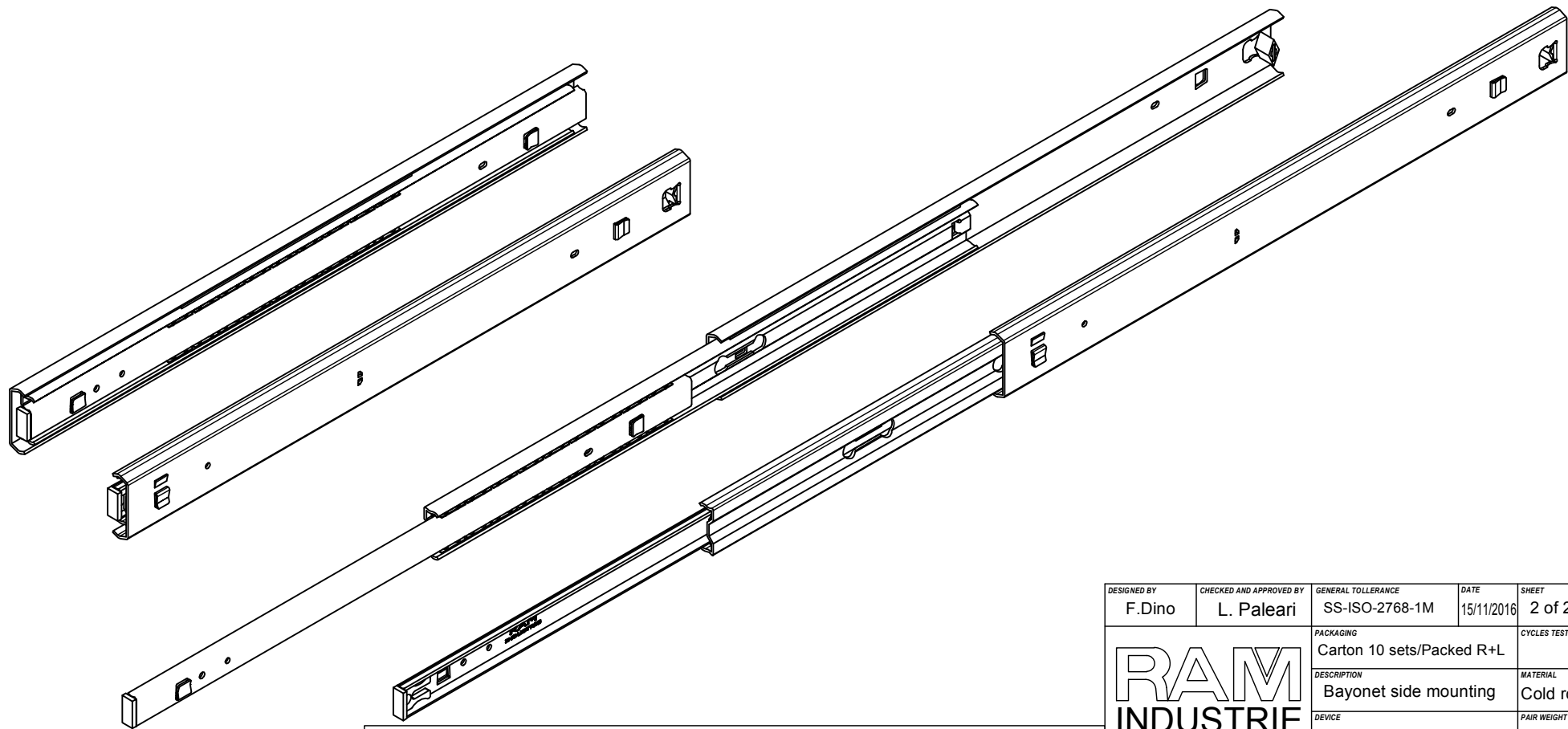
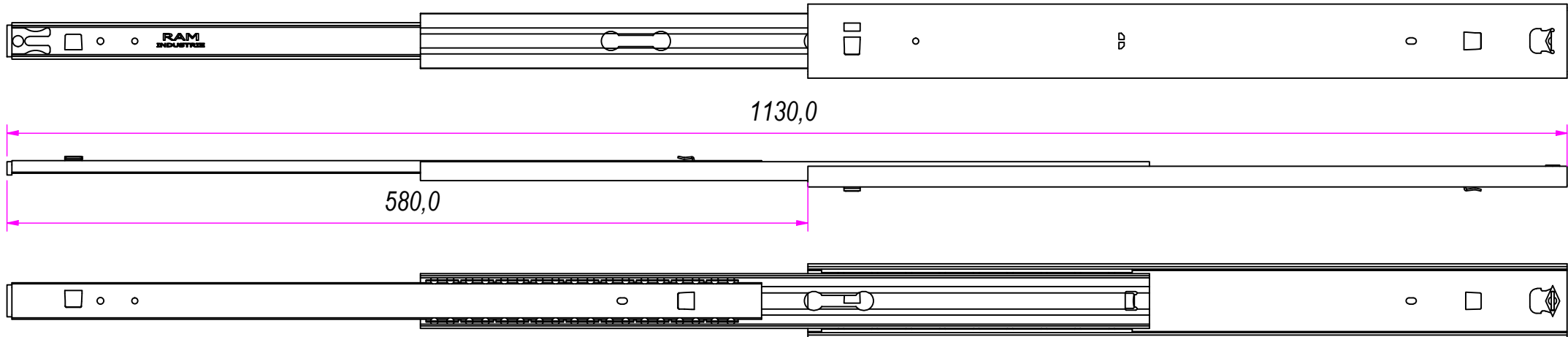


REVISION HISTORY			
REV	DESCRIPTION	APPROVED BY	DATE
1		F.Dino	15/11/2016

DESIGNED BY F.Dino	CHECKED AND APPROVED BY L. Paleari	GENERAL TOLERANCE SS-ISO-2768-1M	DATE 15/11/2016	SHEET 1 of 2	CODE 59550
PACKAGING Carton 10 sets/Packed R+L			CYCLES TEST	SALT SPRAY TEST	L/O LABEL ✓
DESCRIPTION Bayonet side mounting			MATERIAL Cold rolled steel		
DEVICE			PAIR WEIGHT 2,996 Kg	UNIT mm	02C

RAM
INDUSTRIE

Property of RAM Industrie.
Without its written authorization the present drawing shall neither be used for construction anyway, communicated to third parties, nor reproduced.



REVISION HISTORY			
REV	DESCRIPTION	APPROVED BY	DATE
1		F.Dino	15/11/2016

DESIGNED BY F.Dino	CHECKED AND APPROVED BY L. Paleari	GENERAL TOLERANCE SS-ISO-2768-1M	DATE 15/11/2016	SHEET 2 of 2	CODE 59550
PACKAGING Carton 10 sets/Packed R+L			CYCLES TEST	SALT SPRAY TEST	L/O LABEL ✓
DESCRIPTION Bayonet side mounting			MATERIAL Cold rolled steel		
DEVICE			PAIR WEIGHT 2,996 Kg	UNIT mm	02C

RAM
INDUSTRIE

Property of RAM Industrie.
Without its written authorization the present drawing shall neither be used for construction anyway, communicated to third parties, nor reproduced.