

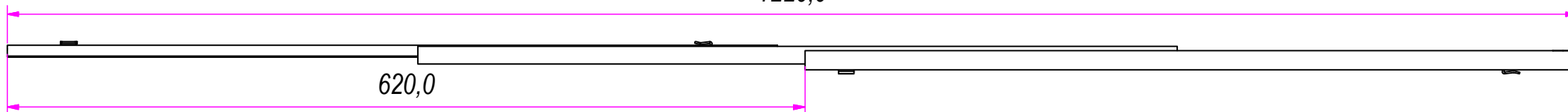
REVISION HISTORY			
REV	DESCRIPTION	APPROVED BY	DATE
1		F.Dino	15/11/2016

DESIGNED BY F.Dino	CHECKED AND APPROVED BY L. Paleari	DATE 15/11/2016	CODE 59600
		GENERAL TOLLERANCE SS-ISO-2768-1M	UNIT mm
		SCALE 1 of 2	SHEET 1 of 2
DESCRIPTION Bayonet side mounting		MATERIAL Cold rolled steel	
DEVICE		PAIR WEIGHT 3,568 Kg	02C

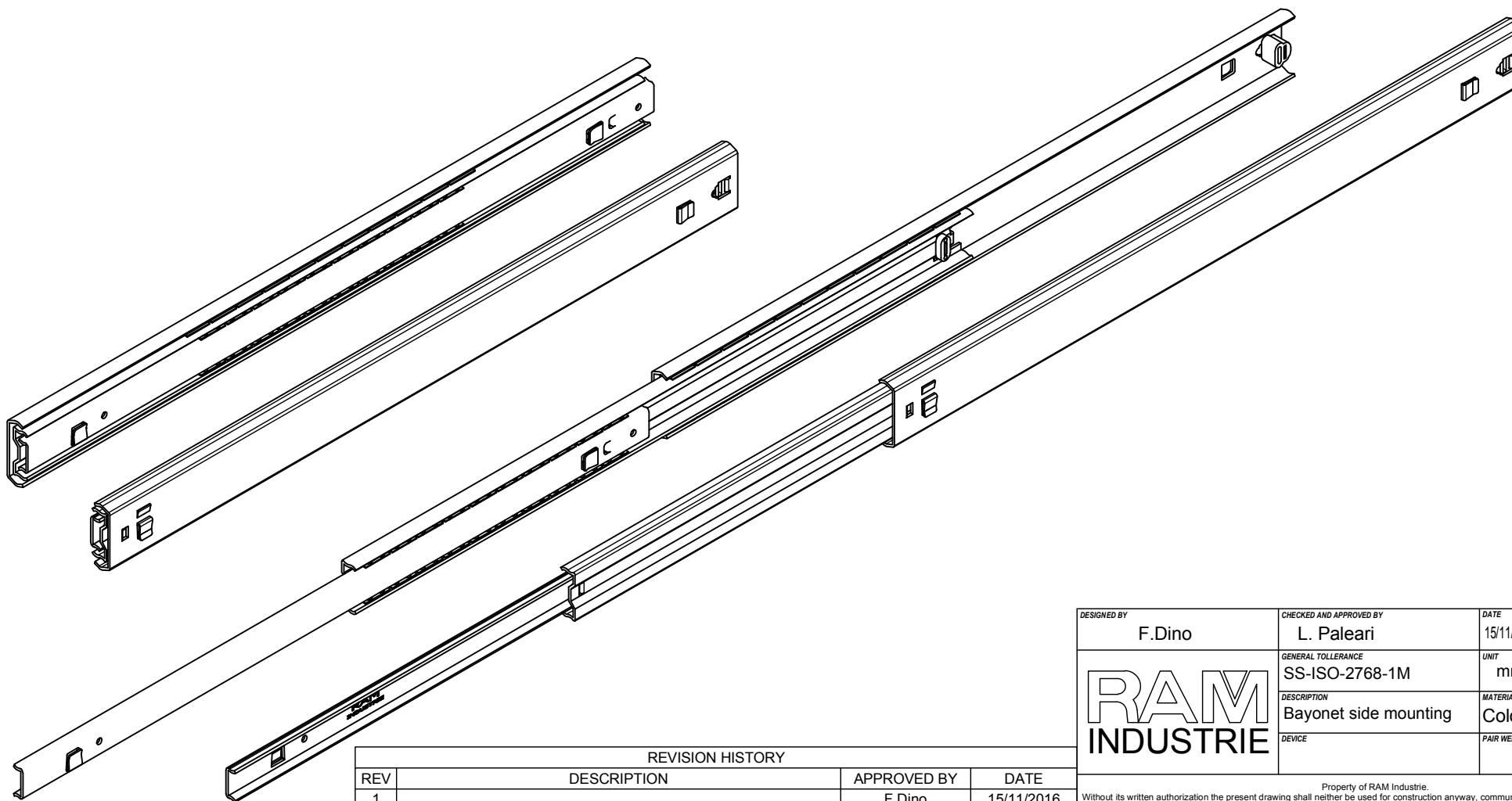
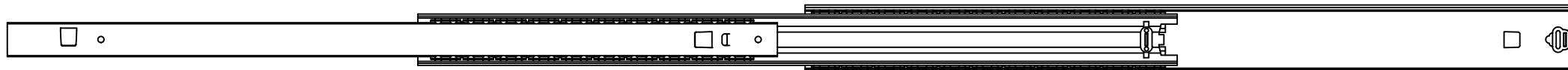
Property of RAM Industrie.
Without its written authorization the present drawing shall neither be used for construction anyway, communicated to third parties, nor reproduced.




1220,0



620,0



REVISION HISTORY			
REV	DESCRIPTION	APPROVED BY	DATE
1		F.Dino	15/11/2016

DESIGNED BY F.Dino	CHECKED AND APPROVED BY L. Paleari	DATE 15/11/2016	CODE 59600
	GENERAL TOLLERANCE SS-ISO-2768-1M	UNIT mm	SCALE SHEET 2 of 2
	DESCRIPTION Bayonet side mounting	MATERIAL Cold rolled steel	
	DEVICE	PAIR WEIGHT 3,568 Kg	02C

Property of RAM Industrie.
Without its written authorization the present drawing shall neither be used for construction anyway, communicated to third parties, nor reproduced.