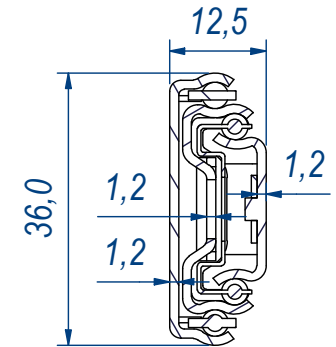
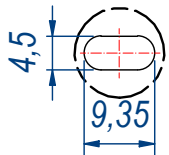


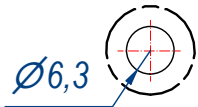
SEZ. A-A



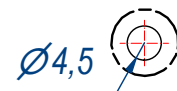
B (1:1)



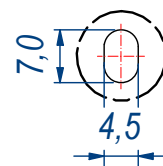
C (1:1)



D (1:1)

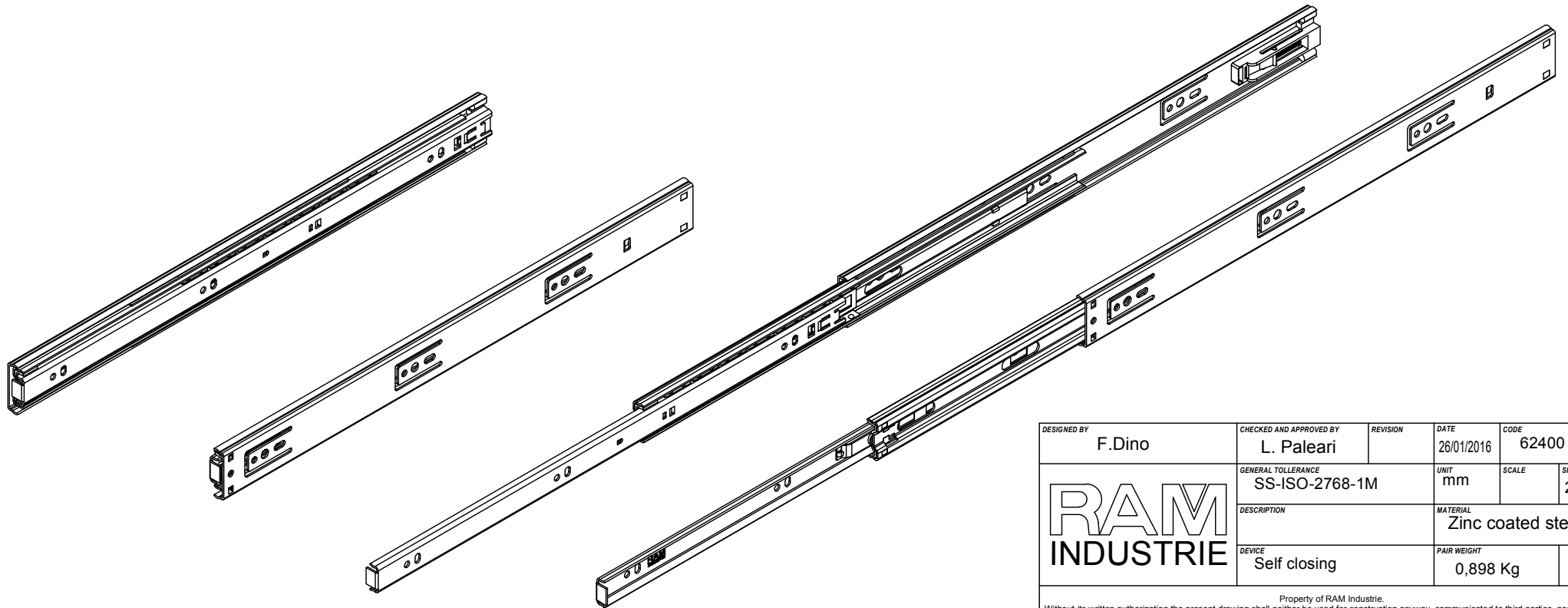
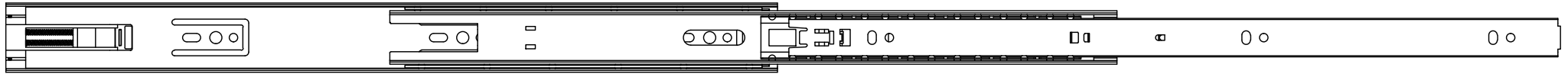
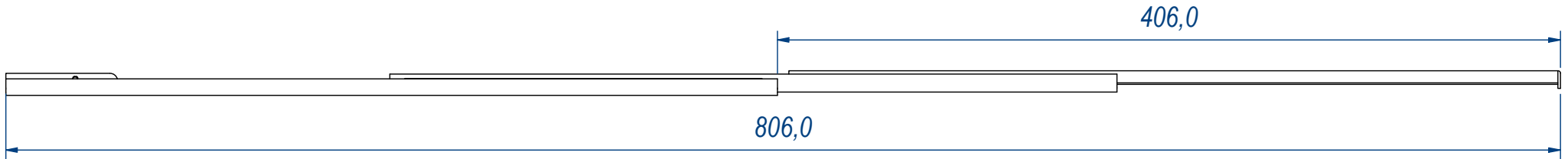
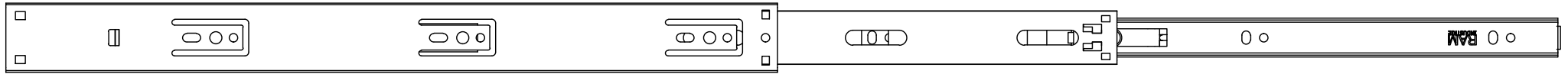



E (1:1)



DESIGNED BY <b>F.Dino</b>	CHECKED AND APPROVED BY <b>L. Paleari</b>	REVISION	DATE 26/01/2016	CODE 62400
<b>RAM INDUSTRIE</b>		GENERAL TOLLERANCE SS-ISO-2768-1M	UNIT mm	SCALE 1 of 2
		DESCRIPTION	MATERIAL Zinc coated steel	
DEVICE Self closing	PAIR WEIGHT 0,898 Kg	02T		

Property of RAM Industrie.  
Without its written authorization the present drawing shall neither be used for construction anyway, communicated to third parties, nor reproduced.



DESIGNED BY F.Dino	CHECKED AND APPROVED BY L. Paleari	REVISION	DATE 26/01/2016	CODE 62400
GENERAL TOLLERANCE SS-ISO-2768-1M			UNIT mm	SHEET 2 of 2
			MATERIAL Zinc coated steel	
			DEVICE Self closing	PAIR WEIGHT 0,898 Kg      02T

Property of RAM Industrie.  
Without its written authorization the present drawing shall neither be used for construction anyway, communicated to third parties, nor reproduced.