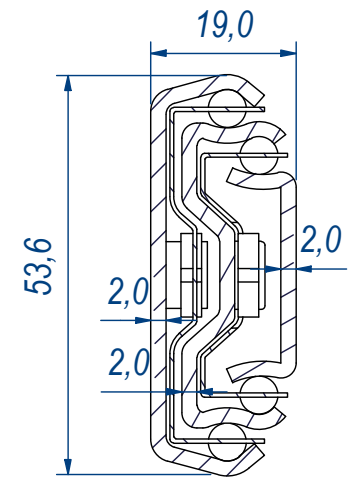
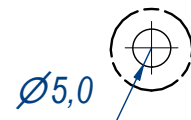
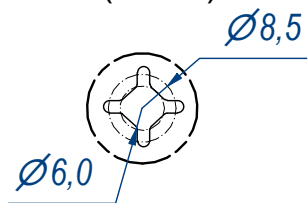


SEZ. A-A

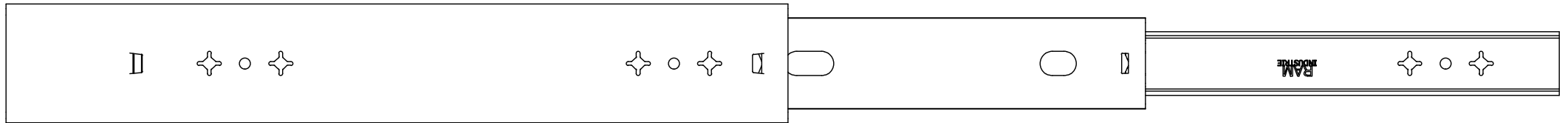


B (1:1)

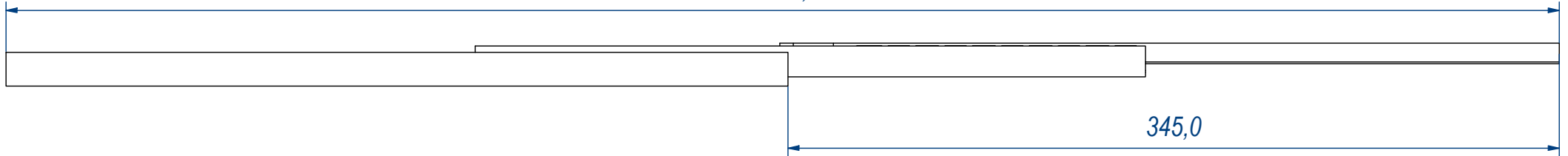
C (1:1)



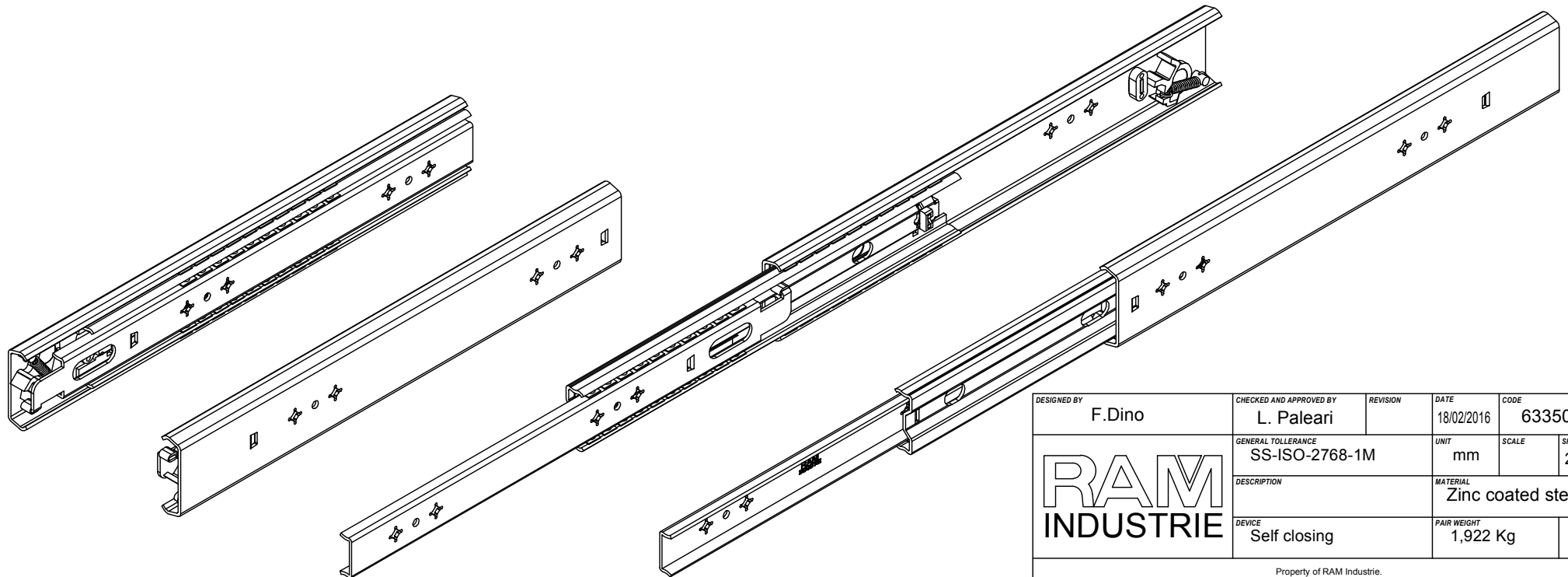
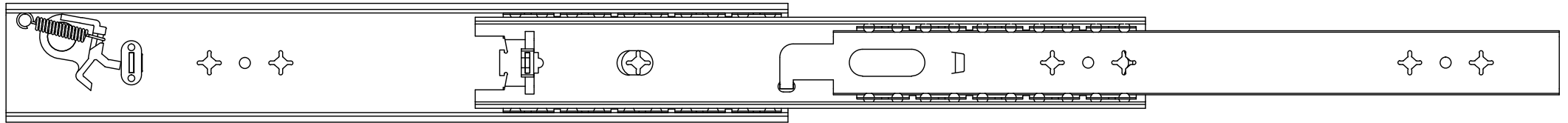
DESIGNED BY F.Dino	CHECKED AND APPROVED BY L. Paleari	REVISION	DATE 18/02/2016	CODE 63350
RAM INDUSTRIE		GENERAL TOLLERANCE SS-ISO-2768-1M	UNIT mm	SCALE 1 of 2
		DESCRIPTION	MATERIAL Zinc coated steel	
DEVICE Self closing		PAIR WEIGHT 1,922 Kg	01T	



695,0



345,0



DESIGNED BY F.Dino	CHECKED AND APPROVED BY L. Paleari	REVISION	DATE 18/02/2016	CODE 63350
GENERAL TOLERANCE SS-ISO-2768-1M		UNIT mm	SCALE	SHEET 2 of 2
DESCRIPTION Self closing		MATERIAL Zinc coated steel		
PAIR WEIGHT 1,922 Kg		01T		

Property of RAM Industrie.
Without its written authorization the present drawing shall neither be used for construction anyway, communicated to third parties, nor reproduced.