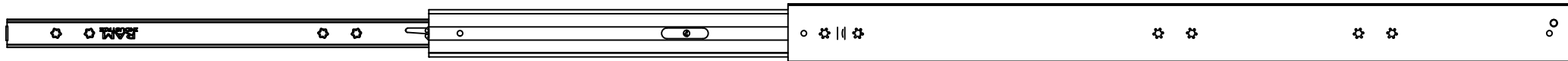
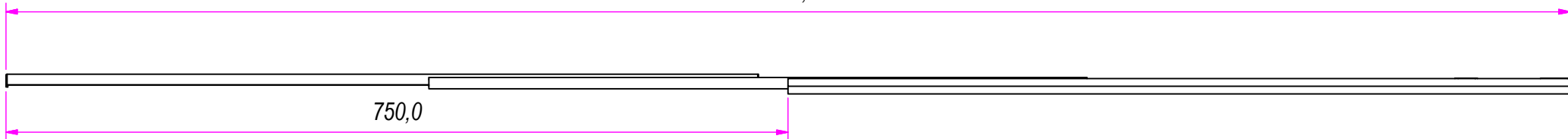


DESIGNED BY F. Dino	CHECKED AND APPROVED BY L. Paleari	GENERAL TOLERANCE SS-ISO-2768-1M	DATE 06/07/2017	CODE 64750
		PACKAGING Carton 4 sets/Packed R+R	UNIT mm	SHEET 1 of 2
		DESCRIPTION Soft-self closing with piston	MATERIAL Cold rolled steel	PAIR WEIGHT 4,2 Kg
Guide per cassetti; guide telescopiche Drawer slide; telescopic ball bearing slide Kugelführung; Teleskopschienen		Coulisses à billes; coulisse télescopique Guías para cajones; guía teleópica		REVISION HISTORY DESCRIPTION DATE 1a 06/07/2017
Without its written authorization the present drawing shall neither be used for construction anyway, communicated to third parties, nor reproduced.				

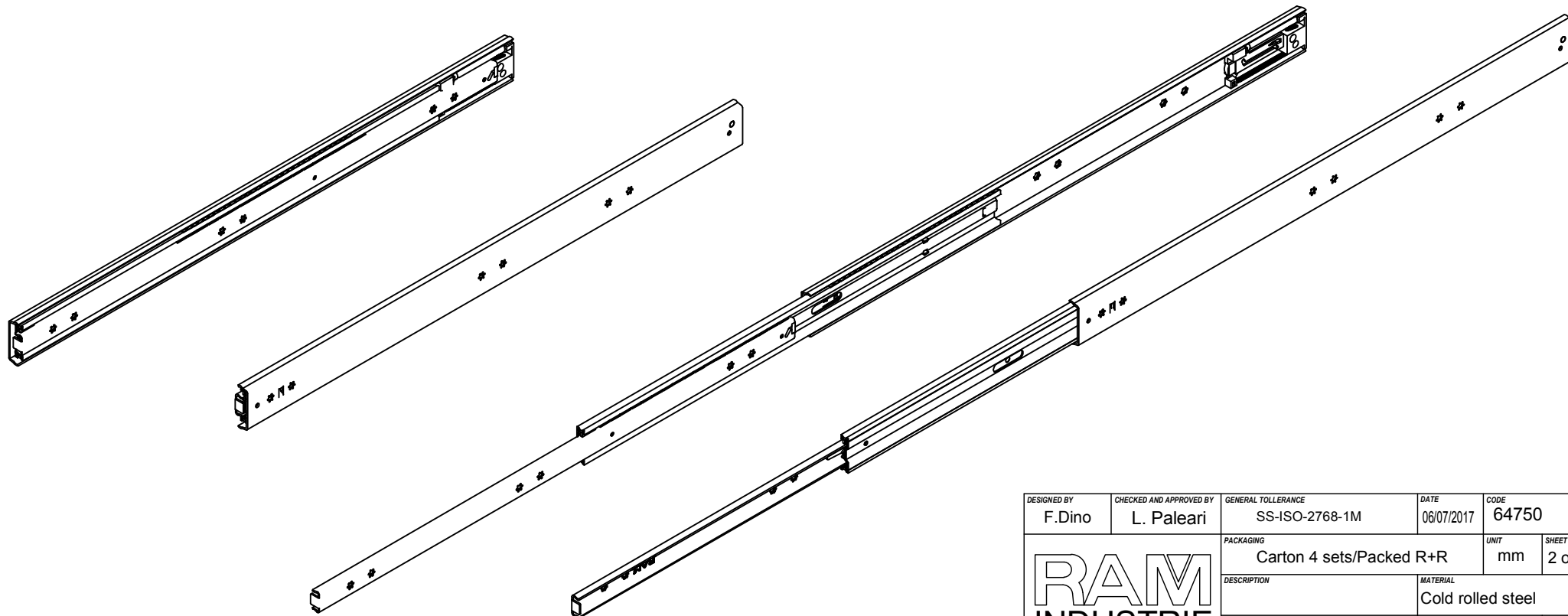
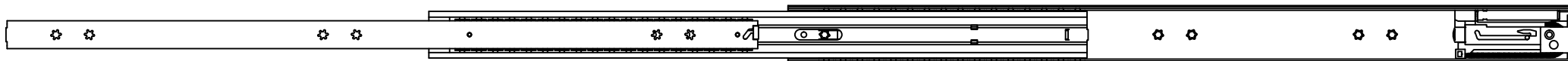
Guide per cassetti; guide telescopiche	Coulisses à billes; coulisse télescopique	REVISION HISTORY		
Drawer slide; telescopic ball bearing slide	Guías para cajones; guía teleópica	REV	DESCRIPTION	DATE
Kugelführung; Teleskopschienen		1a		06/07/2017



1500,0



750,0



Guide per cassetti; guide telescopiche	Coulisses à billes; coulisse télescopique
Drawer slide; telescopic ball bearing slide	Guías para cajones; guía teleópica
Kugelführung; Teleskopschienen	

REVISION HISTORY	
REV	DESCRIPTION
1a	

DESIGNED BY F. Dino	CHECKED AND APPROVED BY L. Paleari	GENERAL TOLERANCE SS-ISO-2768-1M	DATE 06/07/2017	CODE 64750
PACKAGING Carton 4 sets/Packed R+R			UNIT mm	SHEET 2 of 2
DESCRIPTION RAM INDUSTRIE			MATERIAL Cold rolled steel	
DEVICE Soft self closing with piston			PAIR WEIGHT 4,2 Kg	02C
Property of RAM Industrie. Without its written authorization the present drawing shall neither be used for construction anyway, communicated to third parties, nor reproduced.				

	DATE
	06/07/2017