
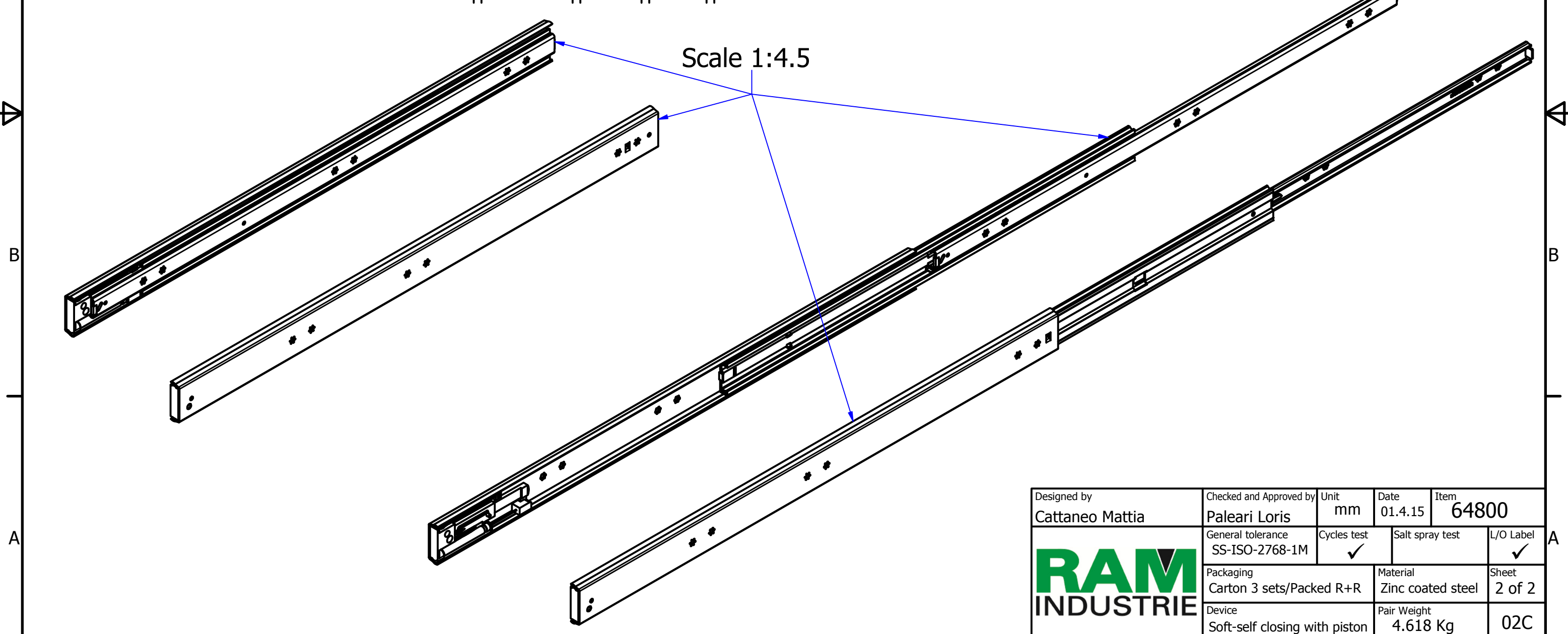
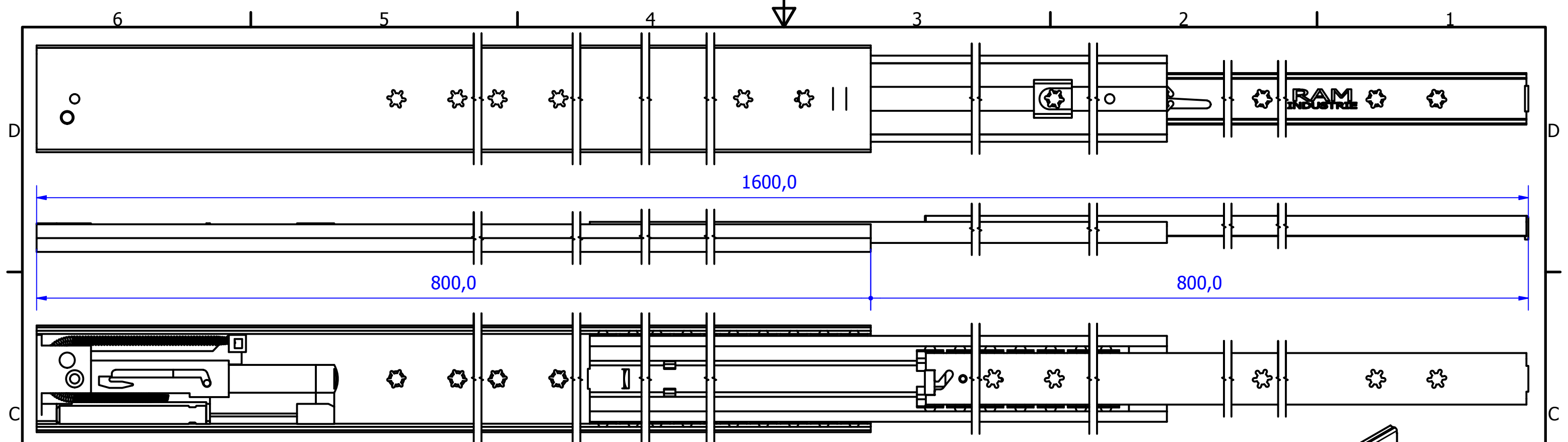



Designed by <b>Cattaneo Mattia</b>	Checked and Approved by <b>Paleari Loris</b>	Unit <b>mm</b>	Date <b>01.4.15</b>	Item <b>64800</b>
		General tolerance SS-ISO-2768-1M	Cycles test ✓	Salt spray test
		Packaging Carton 3 sets/Packed R+R	Material Zinc coated steel	Sheet 1 of 2
Device Soft-self closing with piston		Pair Weight 4.618 Kg		02C



Designed by Cattaneo Mattia	Checked and Approved by Paleari Loris	Unit mm	Date 01.4.15	Item 64800
		General tolerance SS-ISO-2768-1M	Cycles test ✓	Salt spray test ✓
		Packaging Carton 3 sets/Packed R+R	Material Zinc coated steel	Sheet 2 of 2
Device Soft-self closing with piston		Pair Weight 4.618 Kg		02C