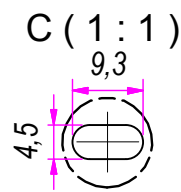
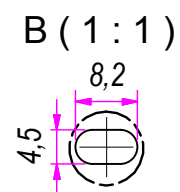
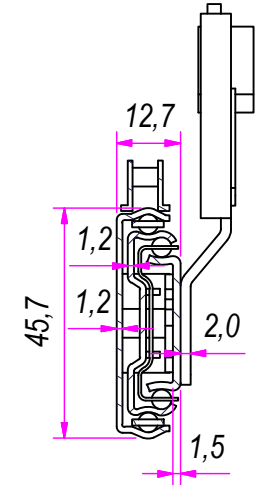
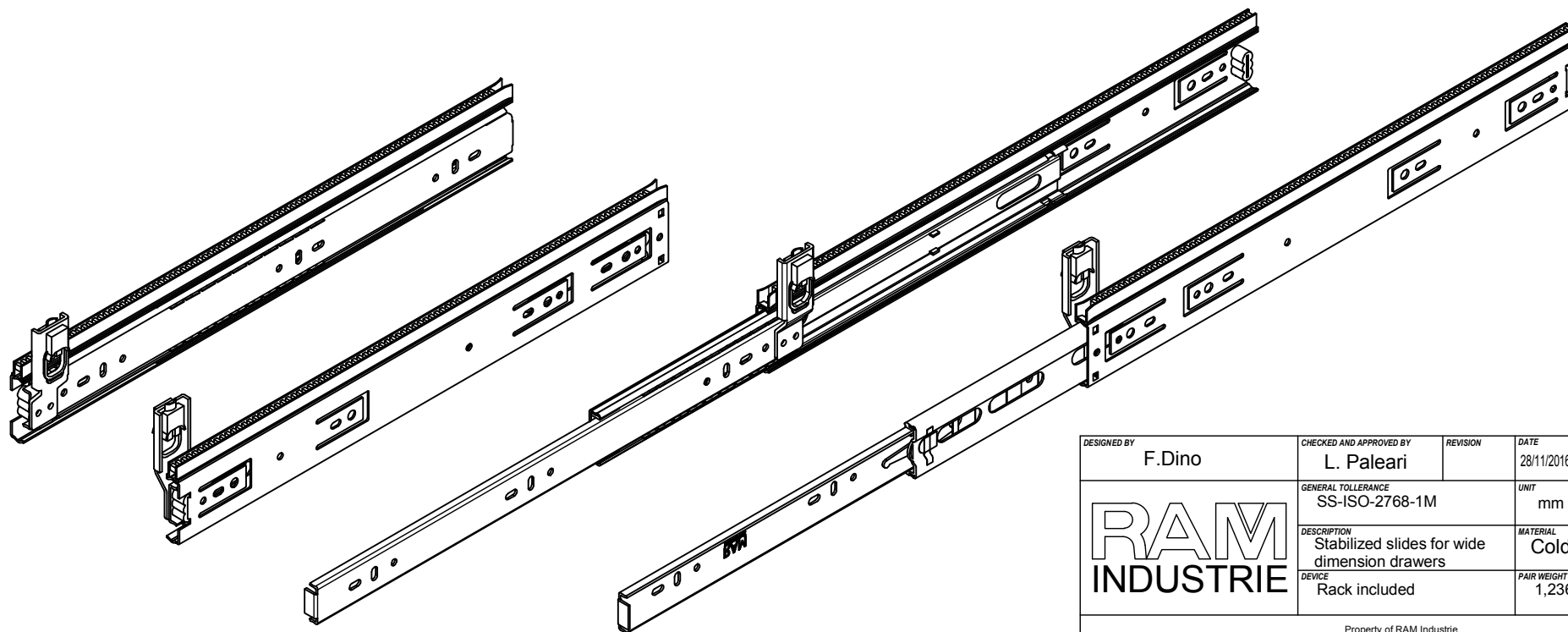
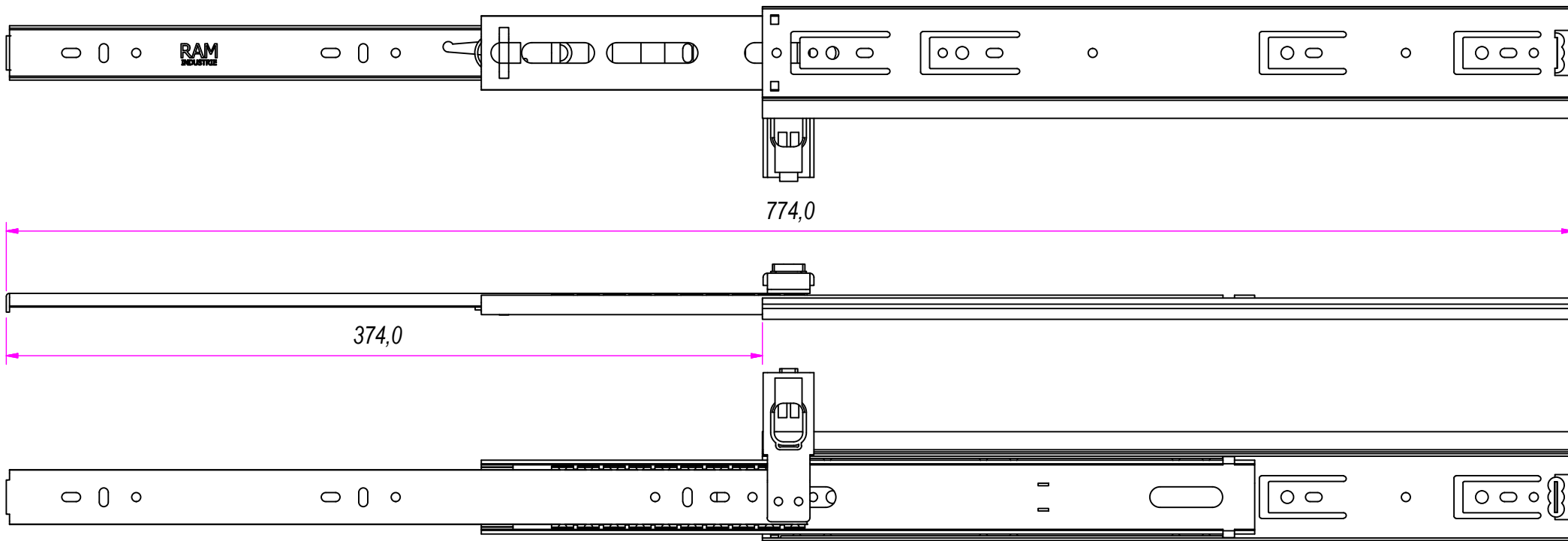



SEZ. A-A



DESIGNED BY F.Dino	CHECKED AND APPROVED BY L. Paleari	REVISION	DATE 28/11/2016	CODE 66400
		GENERAL TOLLERANCE SS-ISO-2768-1M	UNIT mm	SCALE SHEET 1 of 2
		DESCRIPTION Stabilized slides for wide dimension drawers	MATERIAL Cold rolled steel	
DEVICE Rack included		PAIR WEIGHT 1,236 Kg	01T	

Property of RAM Industrie.
Without its written authorization the present drawing shall neither be used for construction anyway, communicated to third parties, nor reproduced.



DESIGNED BY F.Dino	CHECKED AND APPROVED BY L. Paleari	REVISION	DATE 28/11/2016	CODE 66400
GENERAL TOLLERANCE SS-ISO-2768-1M			UNIT mm	SHEET 2 of 2
			MATERIAL Cold rolled steel	
			DESCRIPTION Stabilized slides for wide dimension drawers	PAIR WEIGHT 1,236 Kg
DEVICE Rack included			01T	

Property of RAM Industrie.
Without its written authorization the present drawing shall neither be used for construction anyway, communicated to third parties, nor reproduced.