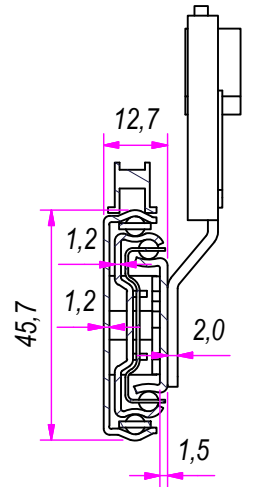
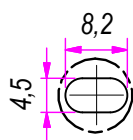


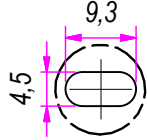
SEZ. A-A



B (1:1)

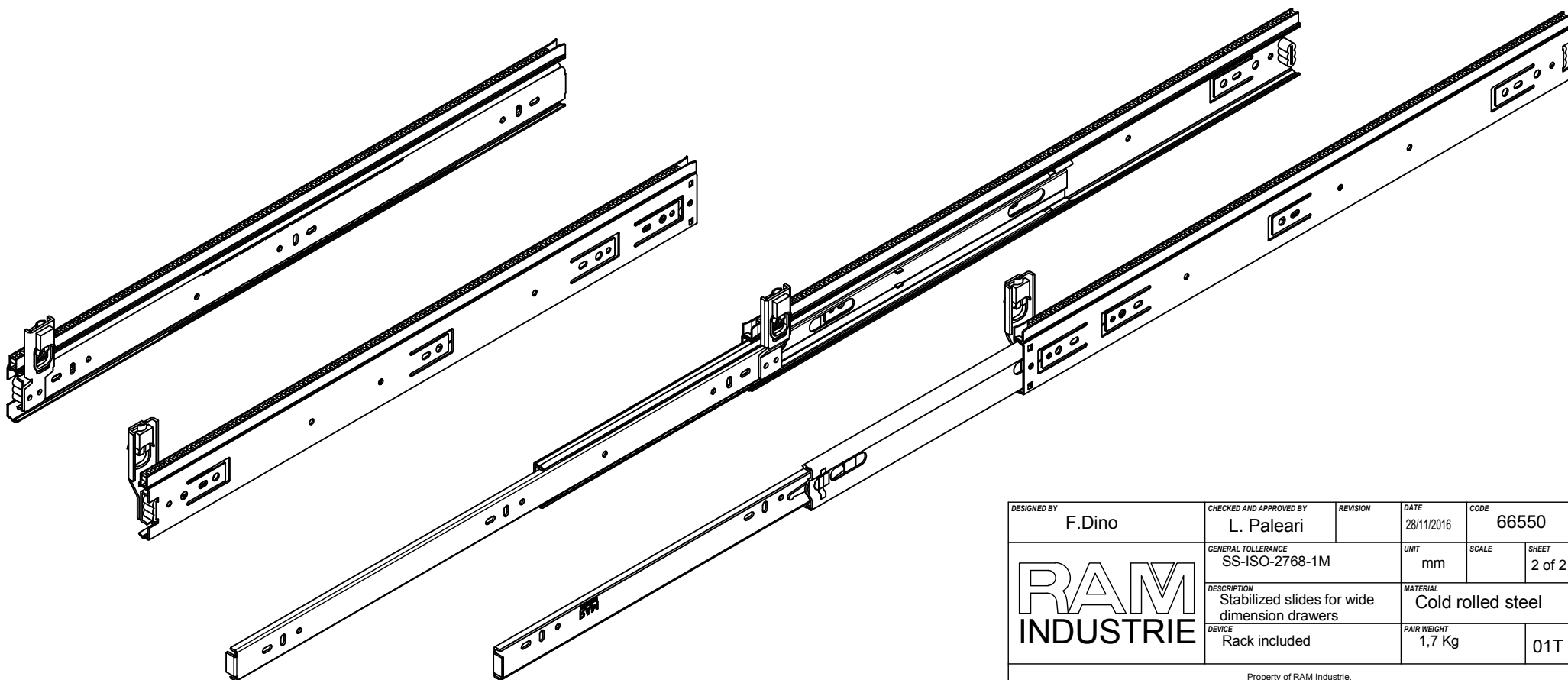
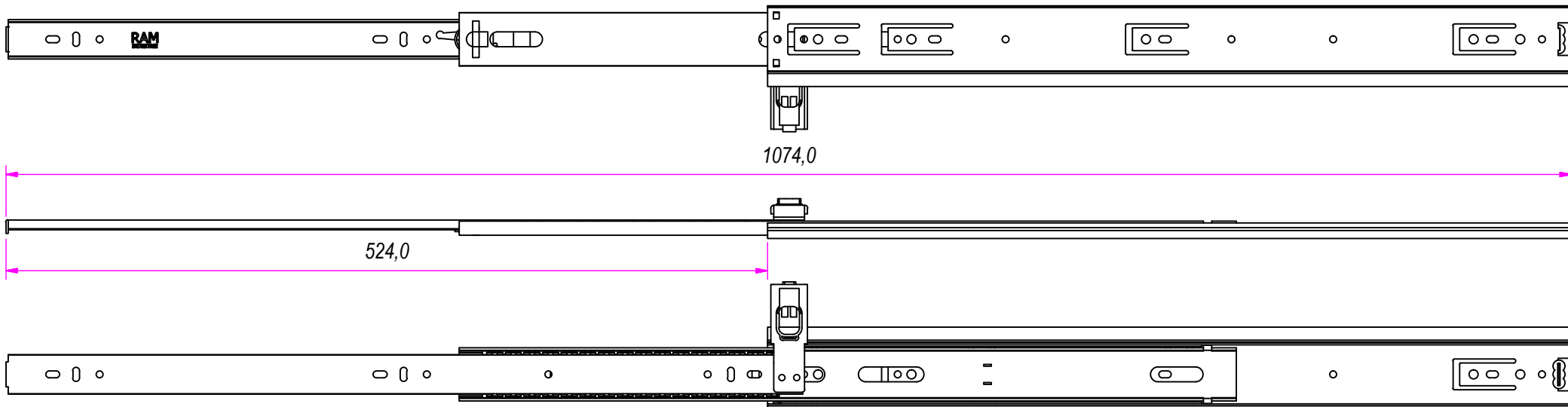



C (1:1)



DESIGNED BY F.Dino	CHECKED AND APPROVED BY L. Paleari	REVISION	DATE 28/11/2016	CODE 66550
		GENERAL TOLLERANCE SS-ISO-2768-1M	UNIT mm	SCALE SHEET 1 of 2
		DESCRIPTION Stabilized slides for wide dimension drawers	MATERIAL Cold rolled steel	
DEVICE Rack included		PAIR WEIGHT 1,7 Kg		01T

Property of RAM Industrie.
Without its written authorization the present drawing shall neither be used for construction anyway, communicated to third parties, nor reproduced.



DESIGNED BY F.Dino	CHECKED AND APPROVED BY L. Paleari	REVISION	DATE 28/11/2016	CODE 66550
		GENERAL TOLLERANCE SS-ISO-2768-1M	UNIT mm	SHEET 2 of 2
		DESCRIPTION Stabilized slides for wide dimension drawers	MATERIAL Cold rolled steel	
DEVICE Rack included		PAIR WEIGHT 1,7 Kg	01T	

Property of RAM Industrie.
Without its written authorization the present drawing shall neither be used for construction anyway, communicated to third parties, nor reproduced.