
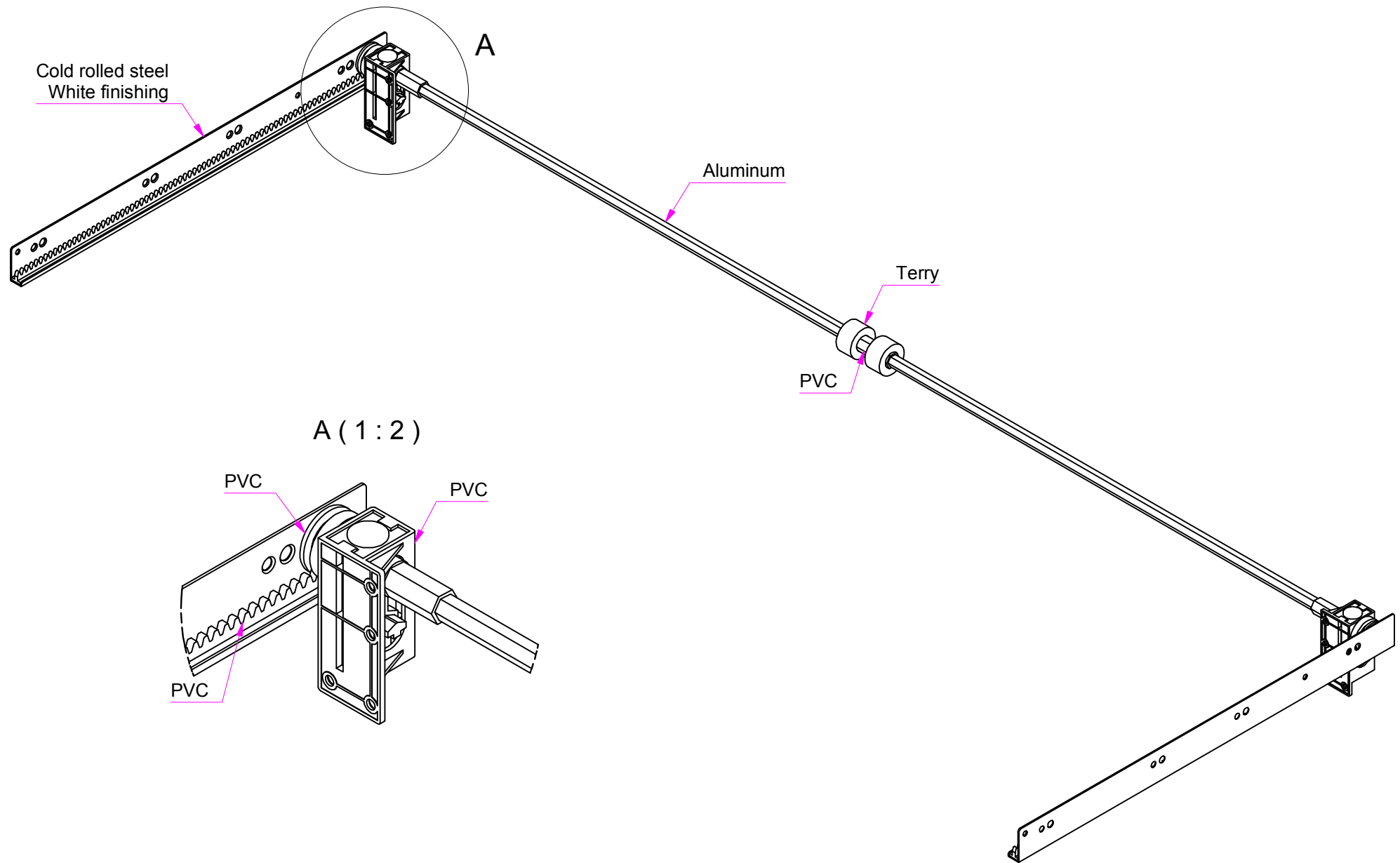



DESIGNED BY F. Dino	CHECKED AND APPROVED BY L. Paleari	GENERAL TOLERANCE SS-ISO-2768-1M	DATE 02/10/2017	CODE 70450
		DESCRIPTION Universal stabilizer	UNIT mm	SHEET 1 of 2
		PACKAGING Carton with rack 20 sets/Packed R+L Carton with all other parts 20 sets		
		DEVICE	PAIR WEIGHT 0,518 Kg	13C

REVISION HISTORY		DATE
REV	DESCRIPTION	DATE
1a		02/10/2017

Property of RAM Industrie.  
Without its written authorization the present drawing shall neither be used for construction anyway, communicated to third parties, nor reproduced.



DESIGNED BY F. Dino	CHECKED AND APPROVED BY L. Paleari	GENERAL TOLERANCE SS-ISO-2768-1M	DATE 02/10/2017	CODE 70450	
			DESCRIPTION Universal stabilizer	UNIT mm	SHEET 2 of 2
			PACKAGING Carton with rack 20 sets/Packed R+L Carton with all other parts 20 sets	PAIR WEIGHT 0,518 Kg	13C

REVISION HISTORY	DESCRIPTION	DATE
Guide per cassetti; guide telescopiche	Coulisses à billes; coulisse télescopique	
Drawer slide; telescopic ball bearing slide	Guías para cajones; guía telescópica	REV
Kugelführung; Teleskopschienen		1a

Property of RAM Industrie.  
Without its written authorization the present drawing shall neither be used for construction anyway, communicated to third parties, nor reproduced.