
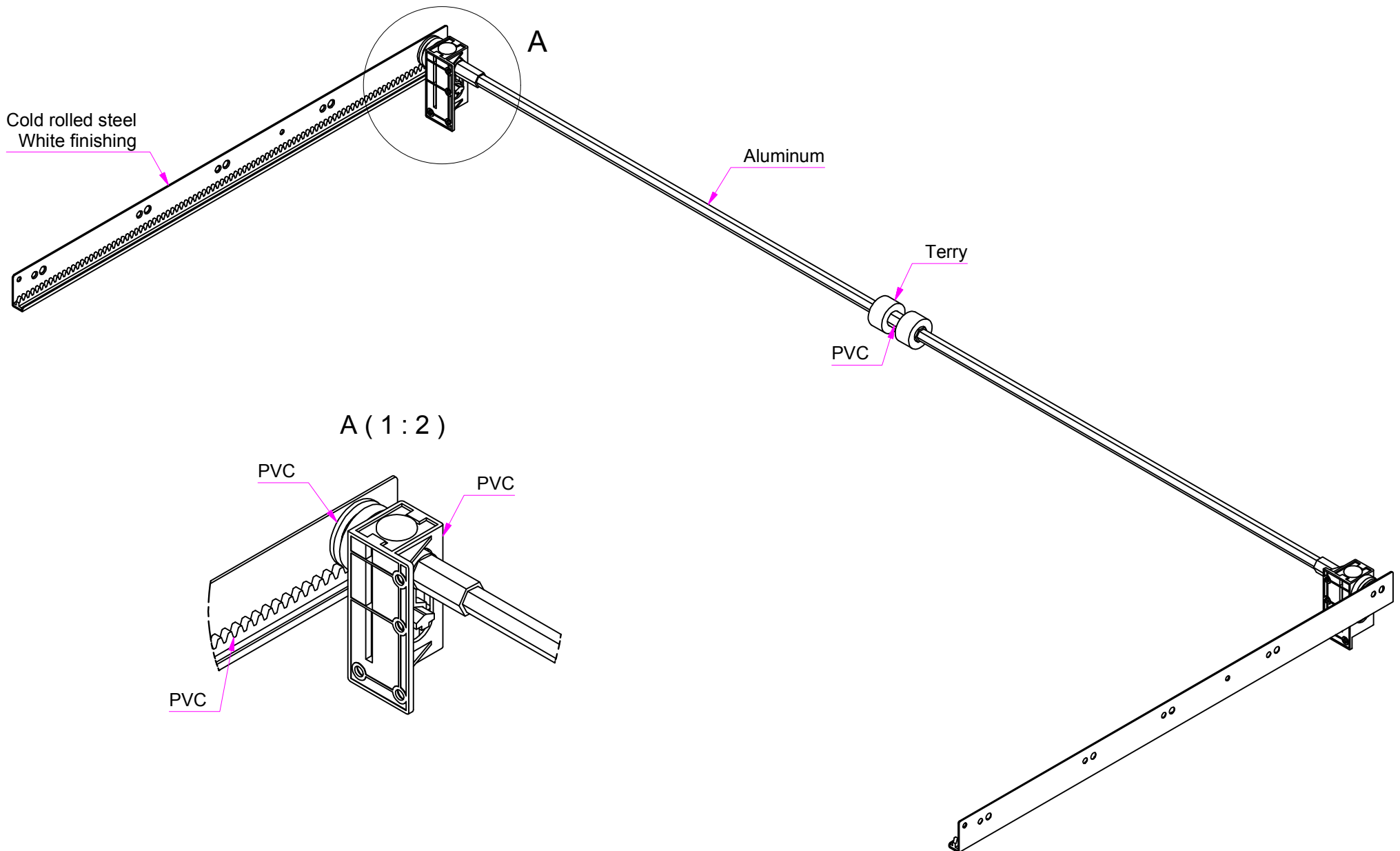


DESIGNED BY F. Dino	CHECKED AND APPROVED BY L. Paleari	GENERAL TOLERANCE SS-ISO-2768-1M	DATE 02/10/2017	CODE 70550
		DESCRIPTION Universal stabilizer	UNIT mm	SHEET 1 of 2
		PACKAGING Carton with rack 20 sets/Packed R+L Carton with all other parts 20 sets	PAIR WEIGHT 0,598 Kg	13C

REVISION HISTORY		REV	DESCRIPTION	DATE
Guide per cassetti; guide telescopiche	Coulisses à billes; coulisse télescopique	1a		02/10/2017
Drawer slide; telescopic ball bearing slide	Guías para cajones; guía teleópica			
Kugelführung; Teleskopschienen				

Property of RAM Industrie.  
Without its written authorization the present drawing shall neither be used for construction anyway, communicated to third parties, nor reproduced.



DESIGNED BY F. Dino	CHECKED AND APPROVED BY L. Paleari	GENERAL TOLLERANCE SS-ISO-2768-1M	DATE 02/10/2017	CODE 70550	
			DESCRIPTION Universal stabilizer	UNIT mm	SHEET 2 of 2
			PACKAGING Carton with rack 20 sets/Packed R+L Carton with all other parts 20 sets		PAIR WEIGHT 0,598 Kg

REVISION HISTORY	REV	DESCRIPTION	DATE
Guide per cassetti; guide telescopiche		Coulisses à billes; coulisse télescopique	
Drawer slide; telescopic ball bearing slide		Guías para cajones; guía telescópica	
Kugelführung; Teleskopschienen	1a		02/10/2017

Property of RAM Industrie.  
Without its written authorization the present drawing shall neither be used for construction anyway, communicated to third parties, nor reproduced.