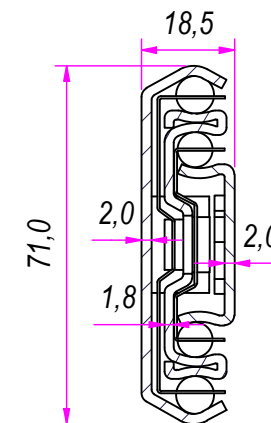


SEZ. A-A

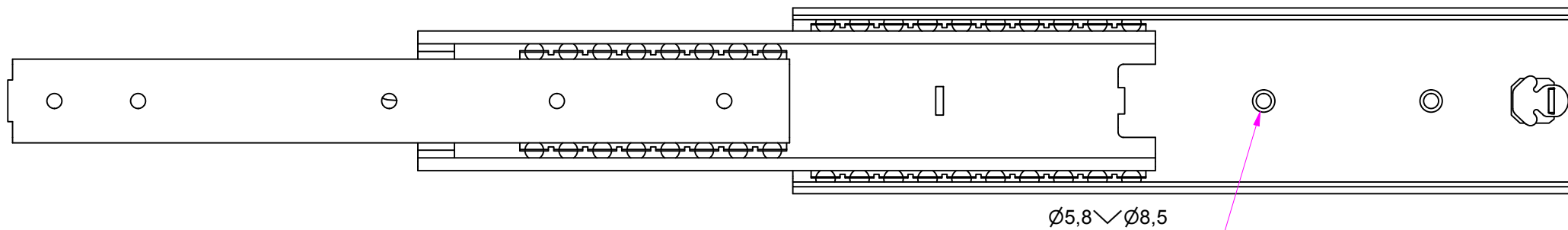
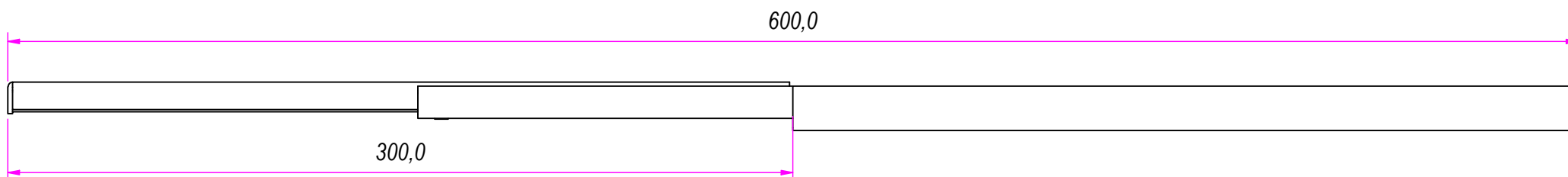
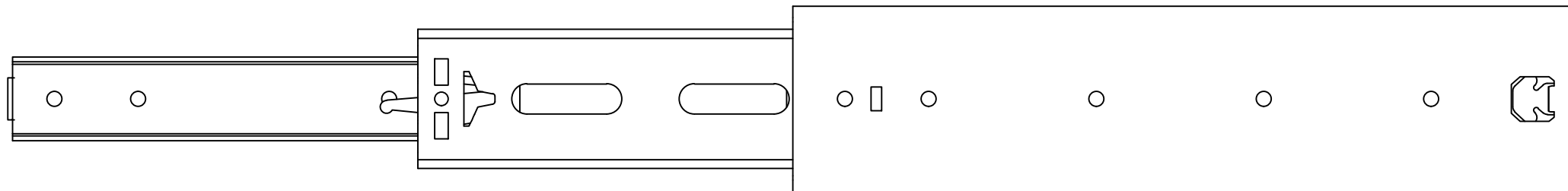


DESIGNED BY F. Dino	CHECKED AND APPROVED BY L. Paleari	GENERAL TOLERANCE SS-ISO-2768-1M	DATE 19/06/2017	CODE 73300
PACKAGING Carton 5 sets/Packed R+R			UNIT mm	SHEET 1 of 3
DESCRIPTION Cold rolled steel			MATERIAL	
DEVICE			PAIR WEIGHT 2,278 Kg	10C

**RAM**  
**INDUSTRIE**

REVISION HISTORY		REV	DESCRIPTION	DATE
Guide per cassetti; guide telescopiche	Coulisses à billes; coulisse télescopique			
Drawer slide; telescopic ball bearing slide	Guías para cajones; guía teleópica	1a		19/06/2017
Kugelführung; Teleskopschienen				

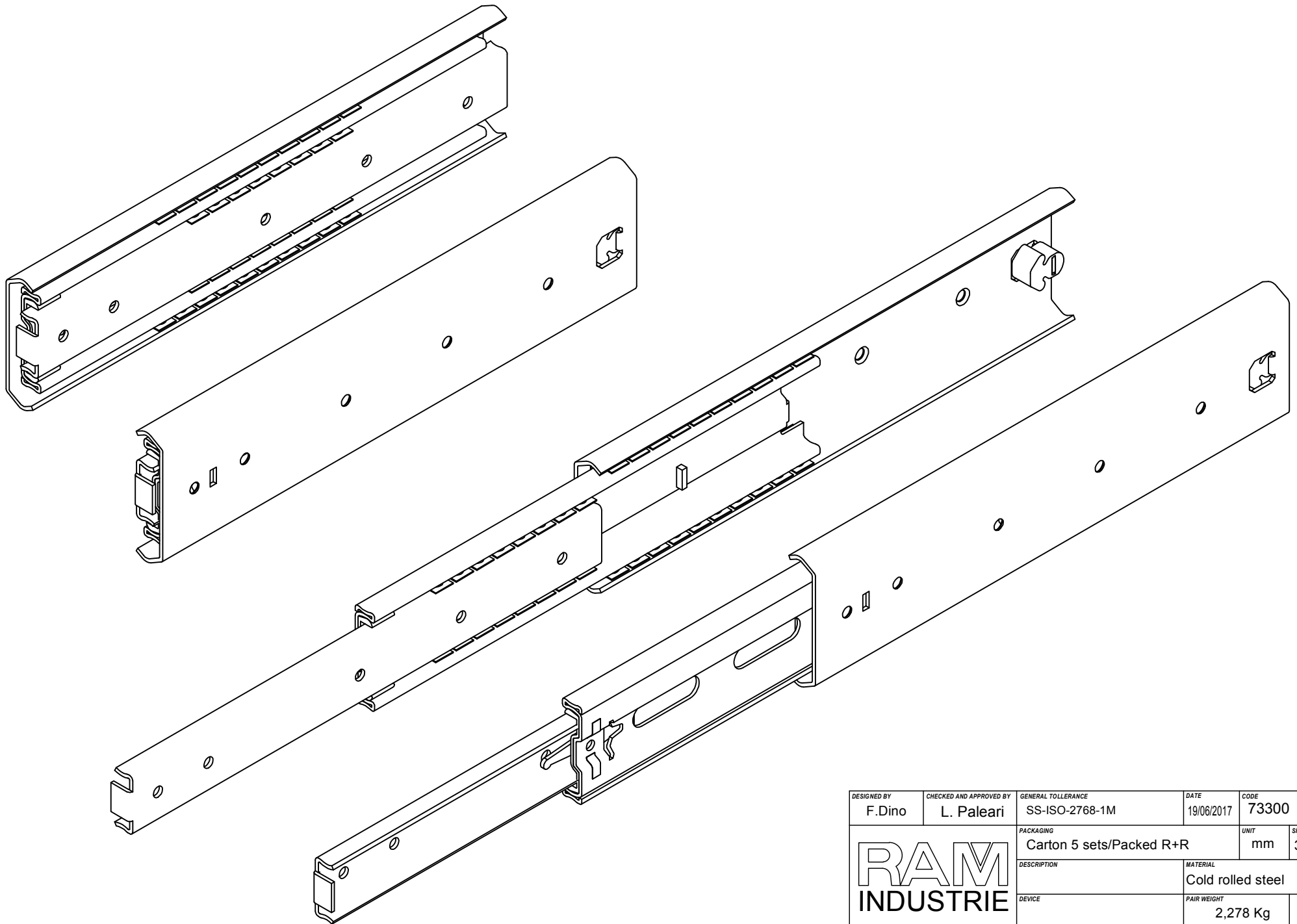
Property of RAM Industrie.  
Without its written authorization the present drawing shall neither be used for construction anyway, communicated to third parties, nor reproduced.




Guide per cassetti; guide telescopiche	Coulisses à billes; coulisse télescopique	REVISION HISTORY		
Drawer slide; telescopic ball bearing slide	Guías para cajones; guía teleópica	REV	DESCRIPTION	DATE
Kugelführung; Teleskopschienen		1a		19/06/2017

DESIGNED BY F. Dino	CHECKED AND APPROVED BY L. Paleari	GENERAL TOLLERANCE SS-ISO-2768-1M	DATE 19/06/2017	CODE 73300
		PACKAGING Carton 5 sets/Packed R+R	UNIT mm	SHEET 2 of 3
		DESCRIPTION	MATERIAL Cold rolled steel	
		DEVICE	PAIR WEIGHT 2,278 Kg	10C

Property of RAM Industrie.  
Without its written authorization the present drawing shall neither be used for construction anyway, communicated to third parties, nor reproduced.



DESIGNED BY F. Dino	CHECKED AND APPROVED BY L. Paleari	GENERAL TOLLERANCE SS-ISO-2768-1M	DATE 19/06/2017	CODE 73300
PACKAGING Carton 5 sets/Packed R+R			UNIT mm	SHEET 3 of 3
			MATERIAL Cold rolled steel	
			PAIR WEIGHT 2,278 Kg	10C

Property of RAM Industrie.  
Without its written authorization the present drawing shall neither be used for construction anyway, communicated to third parties, nor reproduced.