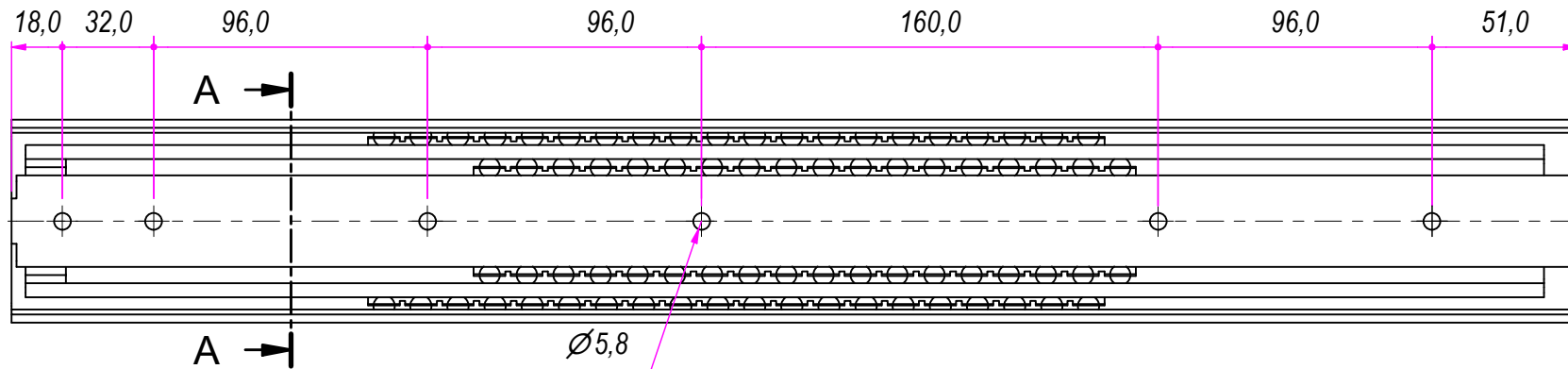
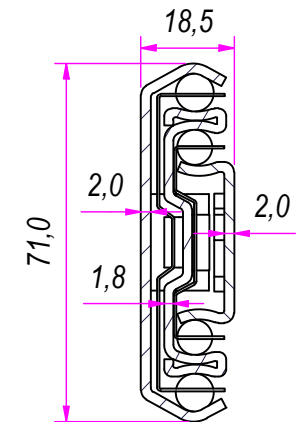
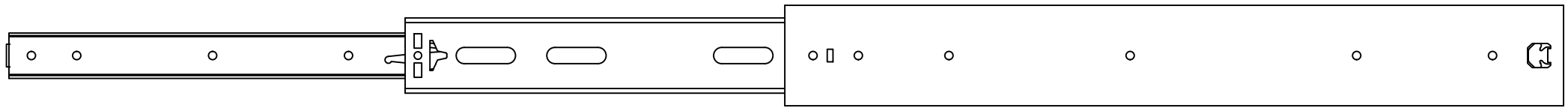


SEZ. A-A



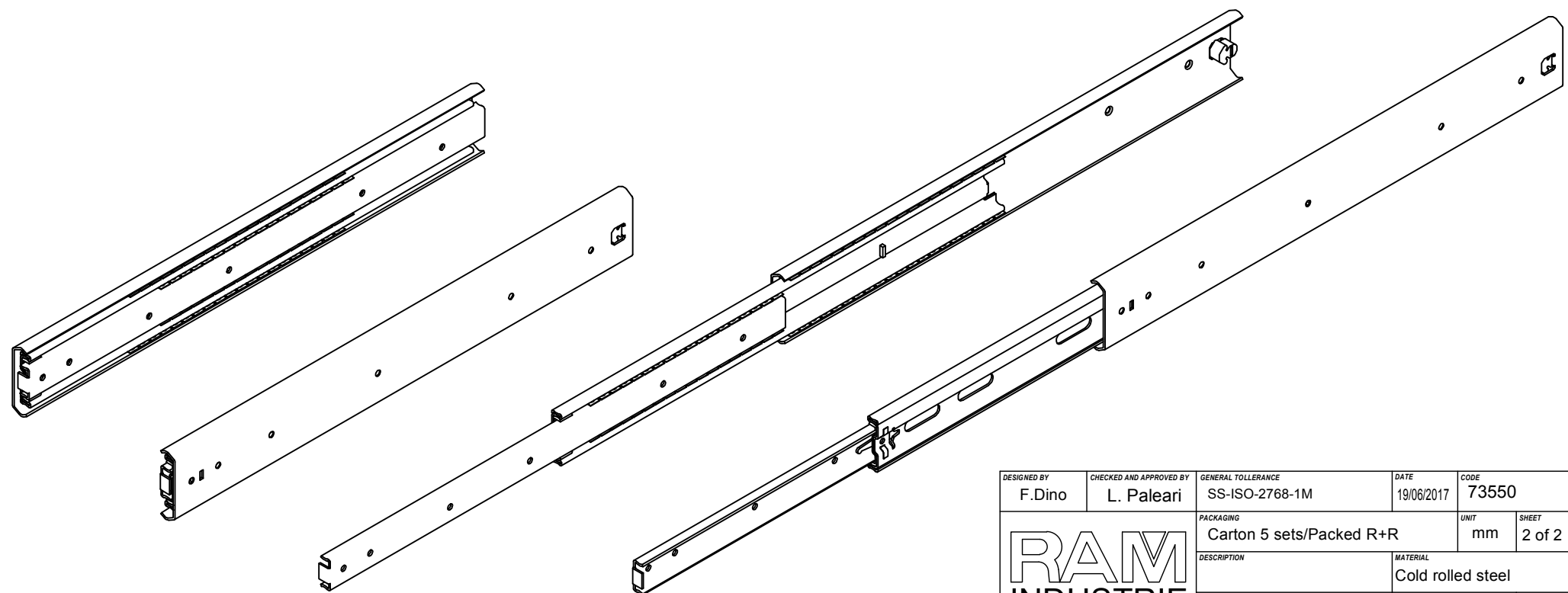
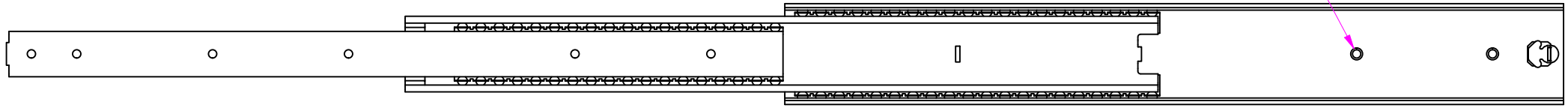
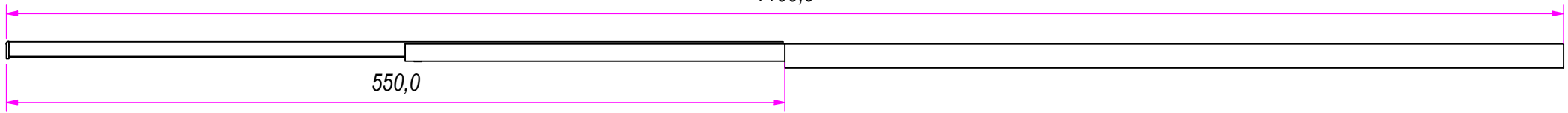
DESIGNED BY F. Dino	CHECKED AND APPROVED BY L. Paleari	GENERAL TOLERANCE SS-ISO-2768-1M	DATE 19/06/2017	CODE 73550						
		PACKAGING Carton 5 sets/Packed R+R	UNIT mm	SHEET 1 of 2						
		DESCRIPTION	MATERIAL Cold rolled steel							
		DEVICE	PAIR WEIGHT 4,348 Kg	10C						
Guide per cassetti; guide telescopiche Coulisses à billes; coulisse télescopique Drawer slide; telescopic ball bearing slide Guías para cajones; guía teleópica Kugelführung; Teleskopschienen		REVISION HISTORY <table border="1"> <thead> <tr> <th>REV</th> <th>DESCRIPTION</th> <th>DATE</th> </tr> </thead> <tbody> <tr> <td>1a</td> <td>Modified distance between holes (20-186)</td> <td>06/07/2021</td> </tr> </tbody> </table>			REV	DESCRIPTION	DATE	1a	Modified distance between holes (20-186)	06/07/2021
REV	DESCRIPTION	DATE								
1a	Modified distance between holes (20-186)	06/07/2021								
Property of RAM Industrie. Without its written authorization the present drawing shall neither be used for construction anyway, communicated to third parties, nor reproduced.										



1100,0

550,0

Ø5,8 √ Ø8,5



DESIGNED BY F. Dino	CHECKED AND APPROVED BY L. Paleari	GENERAL TOLERANCE SS-ISO-2768-1M	DATE 19/06/2017	CODE 73550
PACKAGING Carton 5 sets/Packed R+R			UNIT mm	SHEET 2 of 2
DESCRIPTION <b>RAM</b> INDUSTRIE			MATERIAL Cold rolled steel	
DEVICE			PAIR WEIGHT 4,348 Kg	10C

		REVISION HISTORY		
	REV	DESCRIPTION	DATE	
Guide per cassetti; guide telescopiche				
Coulisses à billes; coulisse télescopique				
Drawer slide; telescopic ball bearing slide				
Guías para cajones; guía teleópica	1a	Modified distance between holes (20-186)	06/07/2021	
Kugelführung; Teleskopschienen				

Property of RAM Industrie.  
Without its written authorization the present drawing shall neither be used for construction anyway, communicated to third parties, nor reproduced.