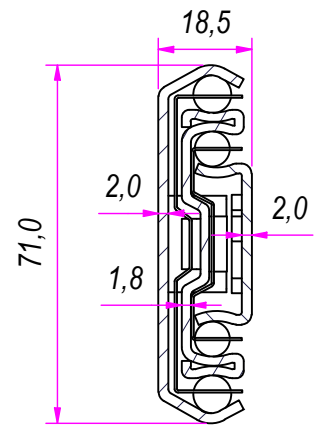


SEZ. A-A

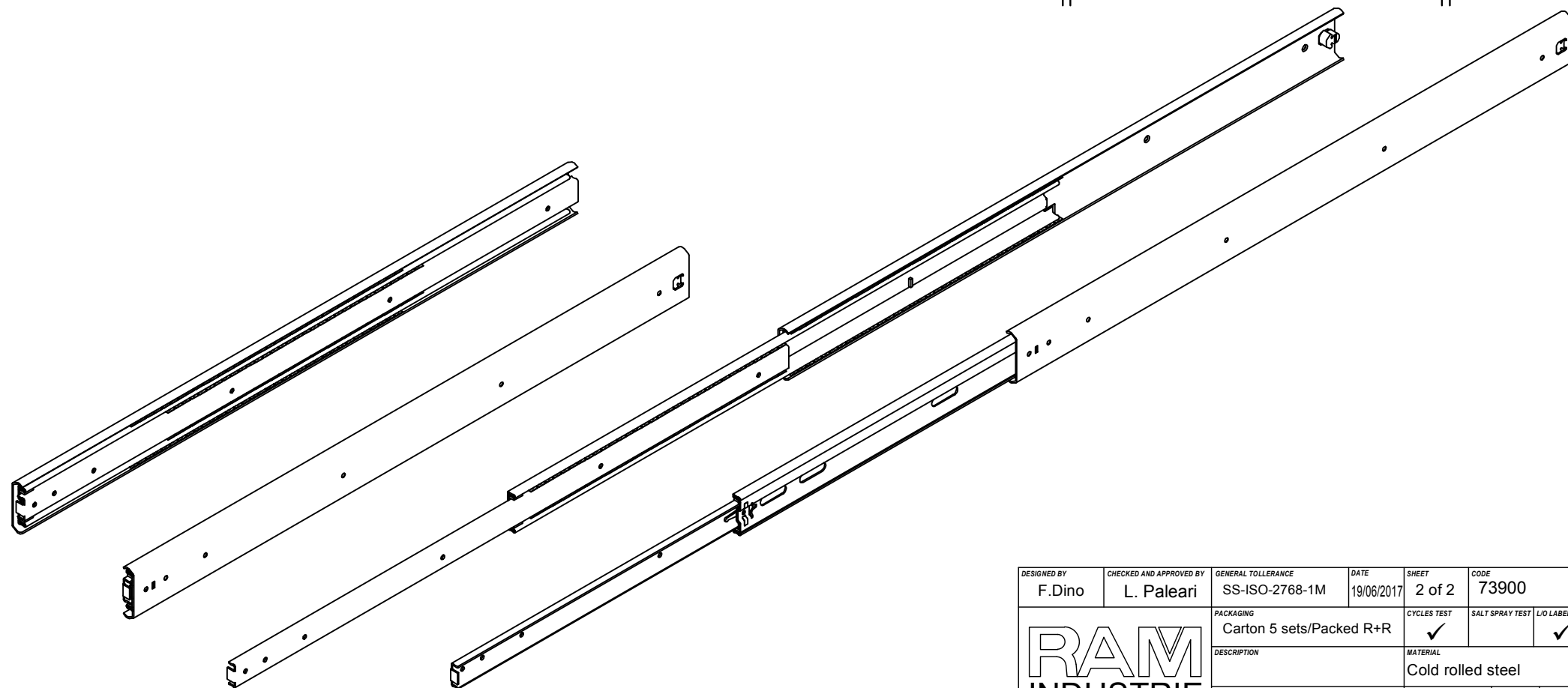
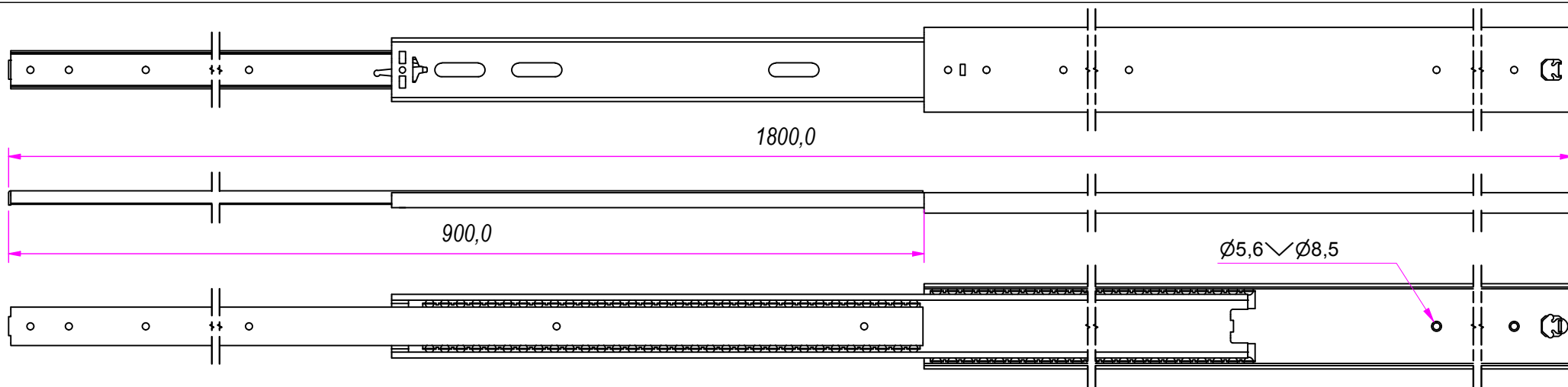


Guide per cassetti; guide telescopiche	Coulisses à billes; coulisse télescopique	
Drawer slide; telescopic ball bearing slide	Guías para cajones; guía teleópica	REV
Kugelführung; Teleskopschienen		1a

REVISION HISTORY		
REV	DESCRIPTION	DATE
1a		19/06/2017

DESIGNED BY F. Dino	CHECKED AND APPROVED BY L. Paleari	GENERAL TOLLERANCE SS-ISO-2768-1M	DATE 19/06/2017	SHEET 1 of 2	CODE 73900
			PACKAGING Carton 5 sets/Packed R+R	CYCLES TEST ✓	SALT SPRAY TEST ✓
			DESCRIPTION	MATERIAL Cold rolled steel	
DEVICE			PAIR WEIGHT 7,326 Kg	UNIT mm	10C

Property of RAM Industrie.  
Without its written authorization the present drawing shall neither be used for construction anyway, communicated to third parties, nor reproduced.



GUIDE PER CASSETTI; GUIDE TELESCOPICHE	COULISSES À BILLES; COULISSE TÉLESCOPIQUE	REVISION HISTORY	
DRAWER SLIDE; TELESCOPIC BALL BEARING SLIDE	GUÍAS PARA CAJONES; GUÍA TELEÓPICA	REV	DESCRIPTION
Kugelführung; Teleskopschienen		1a	DATE
			19/06/2017

DESIGNED BY F. Dino	CHECKED AND APPROVED BY L. Paleari	GENERAL TOLERANCE SS-ISO-2768-1M	DATE 19/06/2017	SHEET 2 of 2	CODE 73900
PACKAGING Carton 5 sets/Packed R+R			CYCLES TEST ✓	SALT SPRAY TEST	L/O LABEL ✓
DESCRIPTION				MATERIAL Cold rolled steel	
DEVICE			PAIR WEIGHT 7,326 Kg	UNIT mm	10C

**RAM**  
**INDUSTRIE**

Property of RAM Industrie.  
Without its written authorization the present drawing shall neither be used for construction anyway, communicated to third parties, nor reproduced.