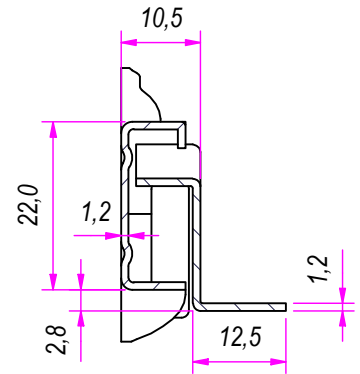
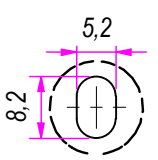


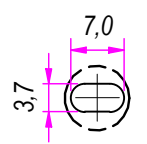
SEZ. A-A



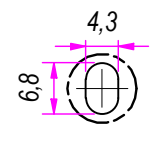
B (1:1)



C (1:1)



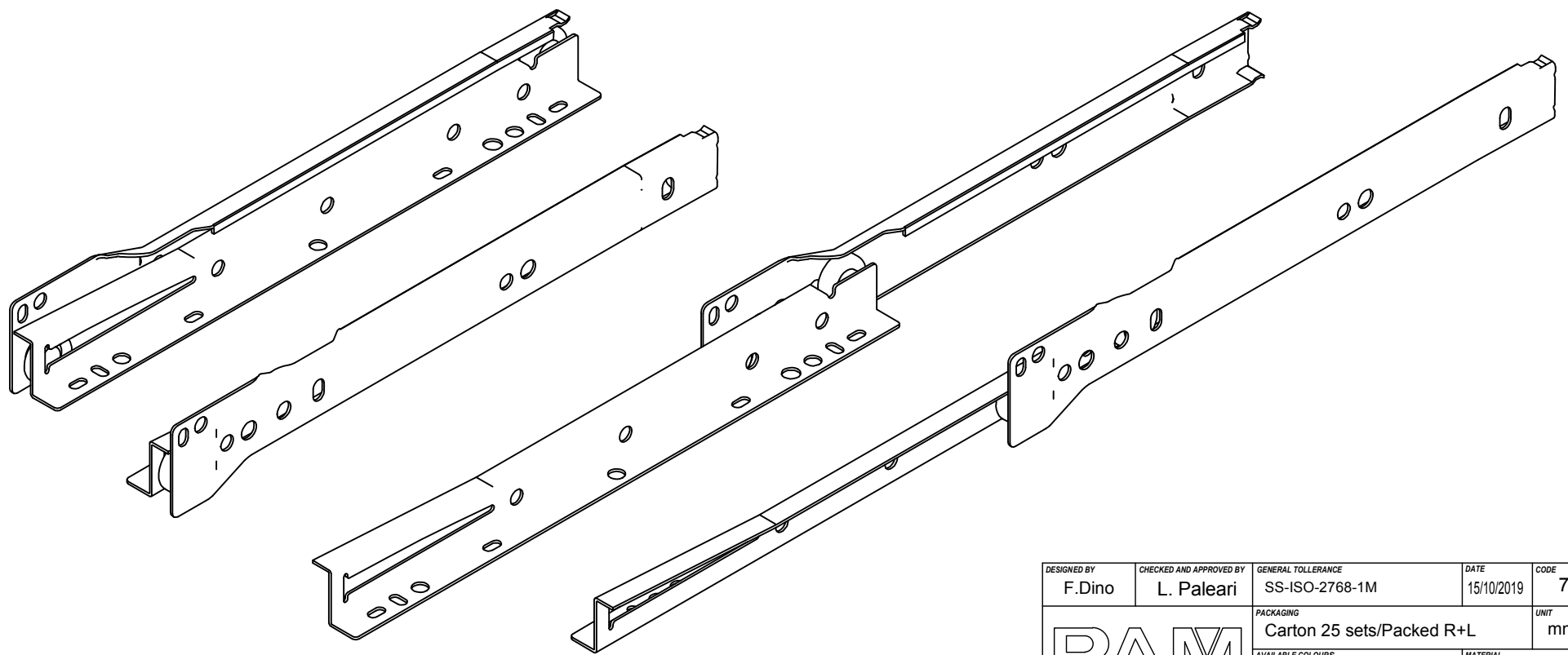
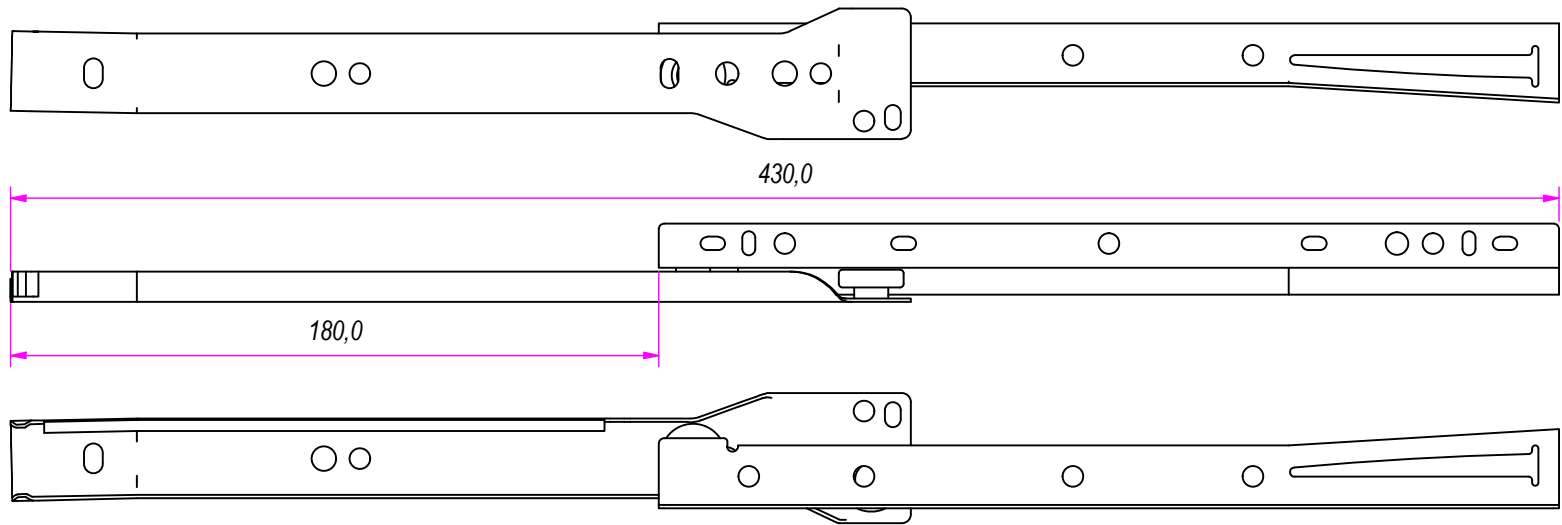
D (1:1)



| | | | | |
|---|---------------------------------------|---|-------------------------------|---|
| DESIGNED BY F. Dino | CHECKED AND APPROVED BY L. Paleari | GENERAL TOLERANCE SS-ISO-2768-1M | DATE 15/10/2019 | CODE 79250 |
| | | PACKAGING Carton 25 sets/Packed R+L | UNIT mm | SHEET 1 of 2 |
| | | AVAILABLE COLOURS White, black and brown finishing (epoxy powder painting) | MATERIAL Cold rolled steel | |
| | | PAIR WEIGHT 0,289 Kg | | |
| Guide per cassetti; guide telescopiche Drawer slide; telescopic ball bearing slide Kugelführung; Teleskopschienen | | Coulisses à billes; coulisse télescopique Guías para cajones; guía teleópica | | REVISION HISTORY DESCRIPTION DATE 15/10/2019 |

| | | | |
|---|---|------------------|--------------------|
| Guide per cassetti; guide telescopiche | Coulisses à billes; coulisse télescopique | REVISION HISTORY | |
| Drawer slide; telescopic ball bearing slide | Guías para cajones; guía teleópica | REV | DESCRIPTION |
| Kugelführung; Teleskopschienen | | 1a | DATE 15/10/2019 |

Property of RAM Industrie.
Without its written authorization the present drawing shall neither be used for construction anyway, communicated to third parties, nor reproduced.



| | |
|---|---|
| Guide per cassetti; guide telescopiche | Coulisses à billes; coulisse télescopique |
| Drawer slide; telescopic ball bearing slide | Guías para cajones; guía teleópica |
| Kugelführung; Teleskopschienen | |

| REVISION HISTORY | |
|------------------|-------------|
| REV | DESCRIPTION |
| 1a | |

| | | | | |
|---|---------------------------------------|---|-------------------------------|-----------------|
| DESIGNED BY F.Dino | CHECKED AND APPROVED BY L. Paleari | GENERAL TOLLERANCE SS-ISO-2768-1M | DATE 15/10/2019 | CODE 79250 |
| | | PACKAGING Carton 25 sets/Packed R+L | UNIT mm | SHEET 2 of 2 |
| | | AVAILABLE COLOURS White, black and brown finishing (epoxy powder painting) | MATERIAL Cold rolled steel | |
| | | PAIR WEIGHT 0,289 Kg | | |
| Property of RAM Industrie. Without its written authorization the present drawing shall neither be used for construction anyway, communicated to third parties, nor reproduced. | | | | |

| | | | | |
|--|--|--|--|--------------------|
| | | | | DATE 15/10/2019 |
|--|--|--|--|--------------------|