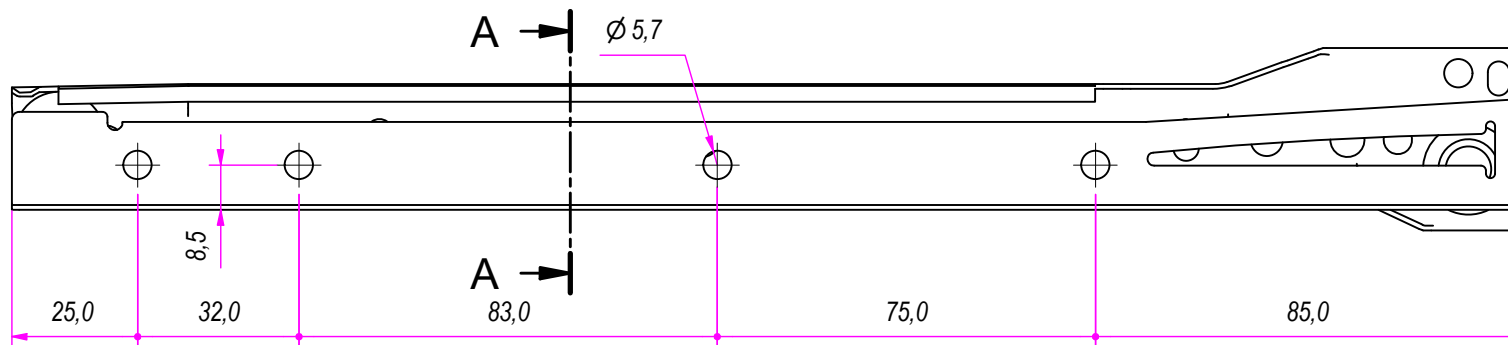
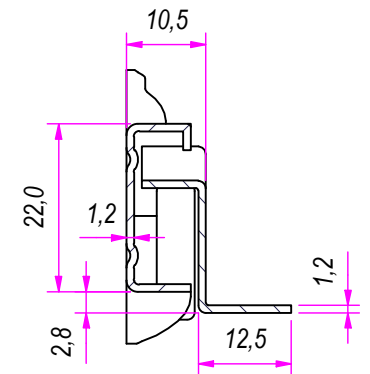
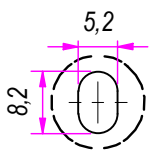


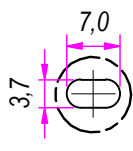
SEZ. A-A



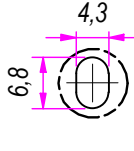
B (1:1)



C (1:1)



D (1:1)

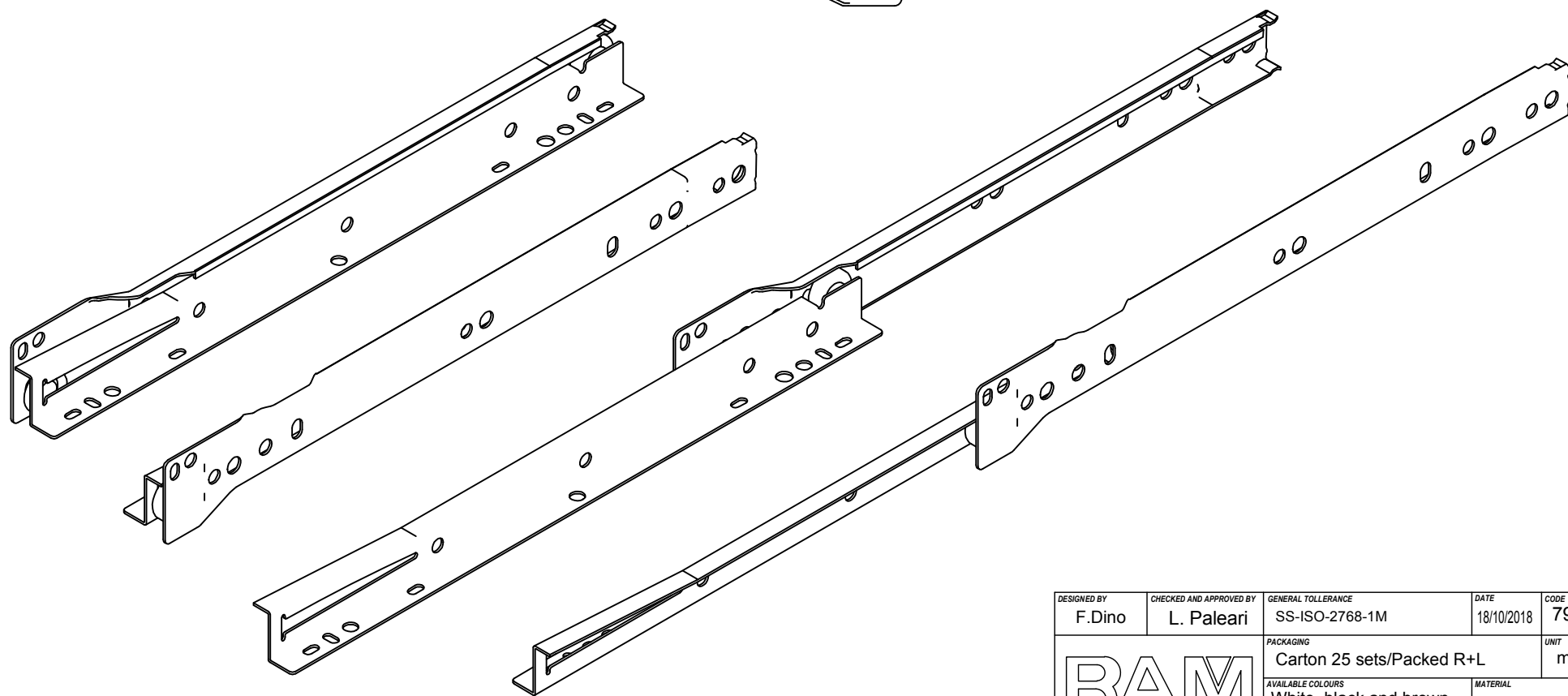
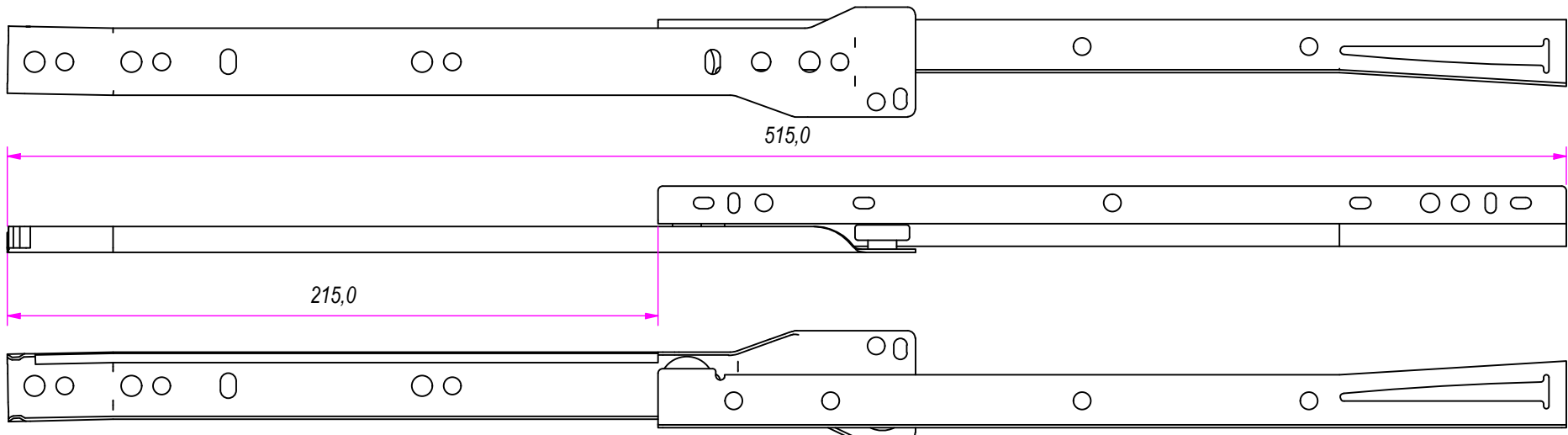


DESIGNED BY F. Dino	CHECKED AND APPROVED BY L. Paleari	GENERAL TOLLERANCE SS-ISO-2768-1M	DATE 18/10/2018	CODE 79300
PACKAGING Carton 25 sets/Packed R+L			UNIT mm	SHEET 1 of 2
AVAILABLE COLOURS White, black and brown finishing (epoxy powder painting)			MATERIAL Cold rolled steel	
			PAIR WEIGHT 0,371 Kg	

**RAM**  
INDUSTRIE

GUIDE PER CASSETTI; GUIDE TELESCOPICHE		COULISSES À BILLES; COULISSE TÉLESCOPIQUE		REVISION HISTORY	
DRAWER SLIDE; TELESCOPIC BALL BEARING SLIDE		GUÍAS PARA CAJONES; GUÍA TELEÓPICA		DESCRIPTION	DATE
Kugelführung; Teleskopschienen		REV	1a		18/10/2018

Property of RAM Industrie.  
Without its written authorization the present drawing shall neither be used for construction anyway, communicated to third parties, nor reproduced.



Guide per cassetti; guide telescopiche	Coulisses à billes; coulisse télescopique
Drawer slide; telescopic ball bearing slide	Guías para cajones; guía teleópica
Kugelführung; Teleskopschienen	

REVISION HISTORY	
REV	DESCRIPTION
1a	

DESIGNED BY F. Dino	CHECKED AND APPROVED BY L. Paleari	GENERAL TOLLERANCE SS-ISO-2768-1M	DATE 18/10/2018	CODE 79300
		PACKAGING Carton 25 sets/Packed R+L	UNIT mm	SHEET 2 of 2
		AVAILABLE COLOURS White, black and brown finishing (epoxy powder painting)	MATERIAL Cold rolled steel	
		PAIR WEIGHT 0,371 Kg		
Property of RAM Industrie. Without its written authorization the present drawing shall neither be used for construction anyway, communicated to third parties, nor reproduced.				