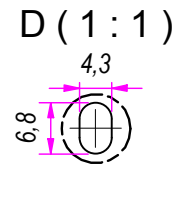
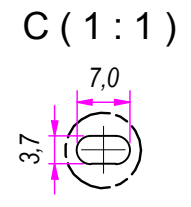
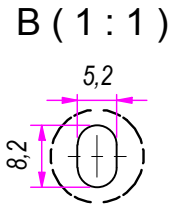


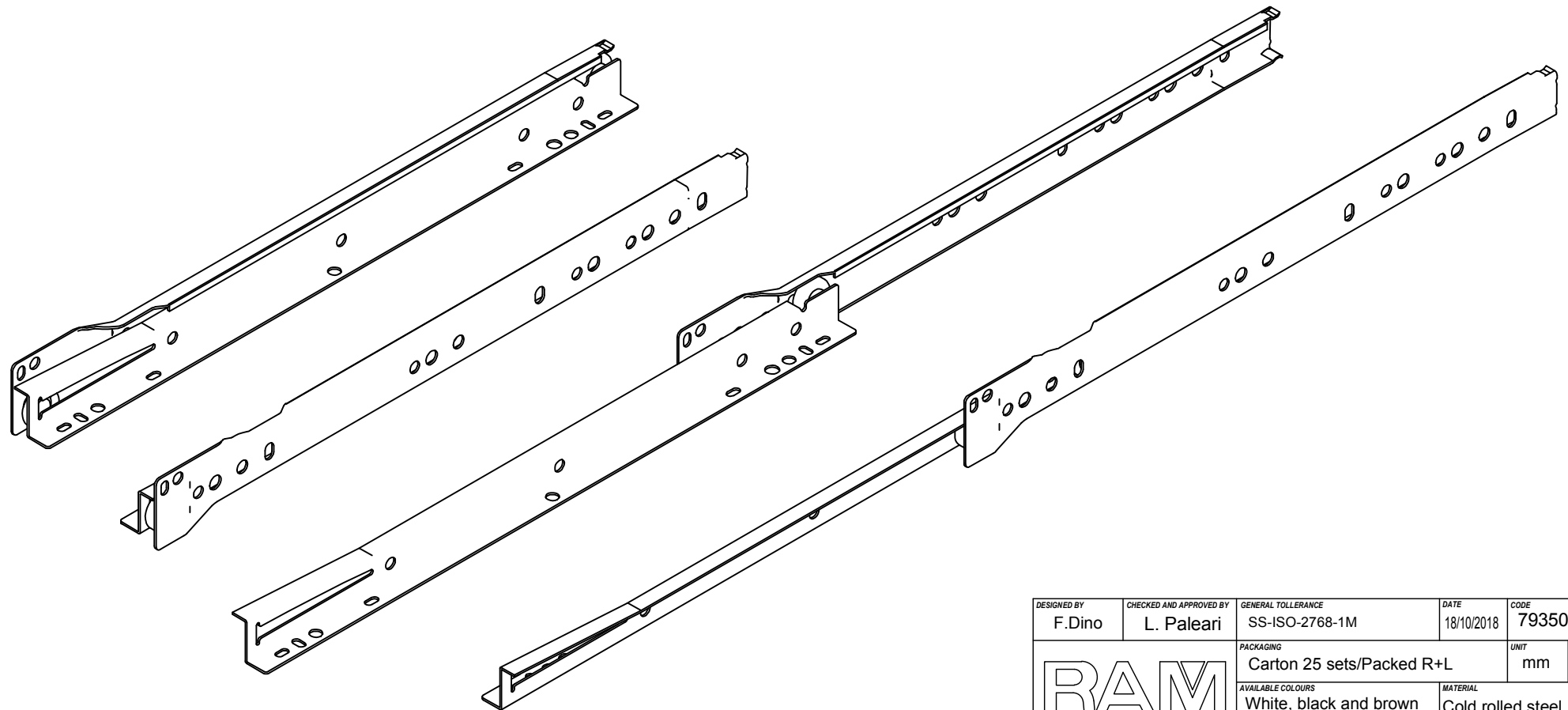
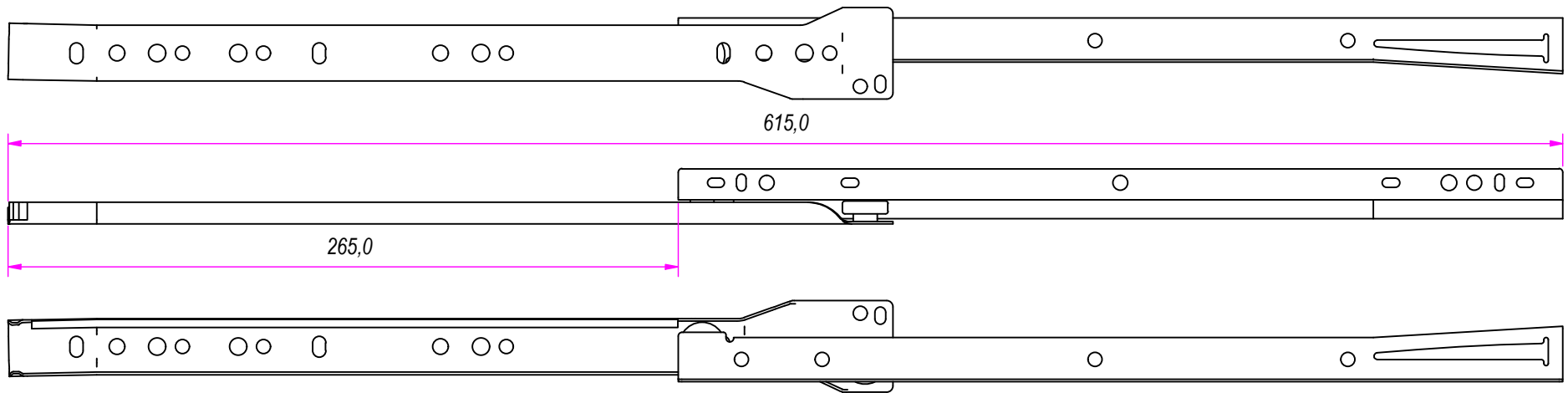
SEZ. A-A



DESIGNED BY F. Dino	CHECKED AND APPROVED BY L. Paleari	GENERAL TOLERANCE SS-ISO-2768-1M	DATE 18/10/2018	CODE 79350
		PACKAGING Carton 25 sets/Packed R+L	UNIT mm	SHEET 1 of 2
		AVAILABLE COLOURS White, black and brown finishing (epoxy powder painting)	MATERIAL Cold rolled steel	
		PAIR WEIGHT 0,396 Kg		
Guide per cassette; guide telescopiche Drawer slide; telescopic ball bearing slide Kugelführung; Teleskopschienen		Coulisses à billes; coulisse télescopique Guías para cajones; guía teleópica		REVISION HISTORY DESCRIPTION DATE 18/10/2018

REV	DESCRIPTION	DATE
1a		18/10/2018

Property of RAM Industrie.
Without its written authorization the present drawing shall neither be used for construction anyway, communicated to third parties, nor reproduced.



Guide per cassetti; guide telescopica	Coulisses à billes; coulisse télescopique	REVISION HISTORY	
Drawer slide; telescopic ball bearing slide	Guías para cajones; guía teleópica	REV	DESCRIPTION
Kugelführung; Teleskopschienen		1a	DATE

DESIGNED BY F. Dino	CHECKED AND APPROVED BY L. Paleari	GENERAL TOLERANCE SS-ISO-2768-1M	DATE 18/10/2018	CODE 79350
		PACKAGING Carton 25 sets/Packed R+L	UNIT mm	SHEET 2 of 2
		AVAILABLE COLOURS White, black and brown finishing (epoxy powder painting)	MATERIAL Cold rolled steel	
		PAIR WEIGHT 0,396 Kg		
Property of RAM Industrie. Without its written authorization the present drawing shall neither be used for construction anyway, communicated to third parties, nor reproduced.				