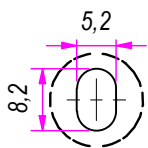
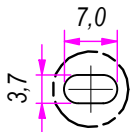


SEZ. A-A

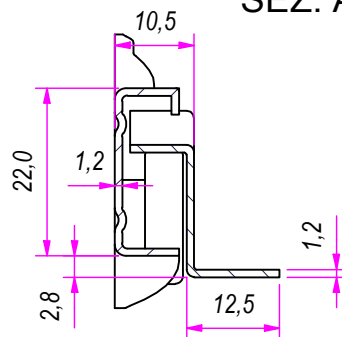
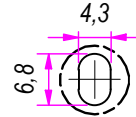
B (1:1)



C (1:1)

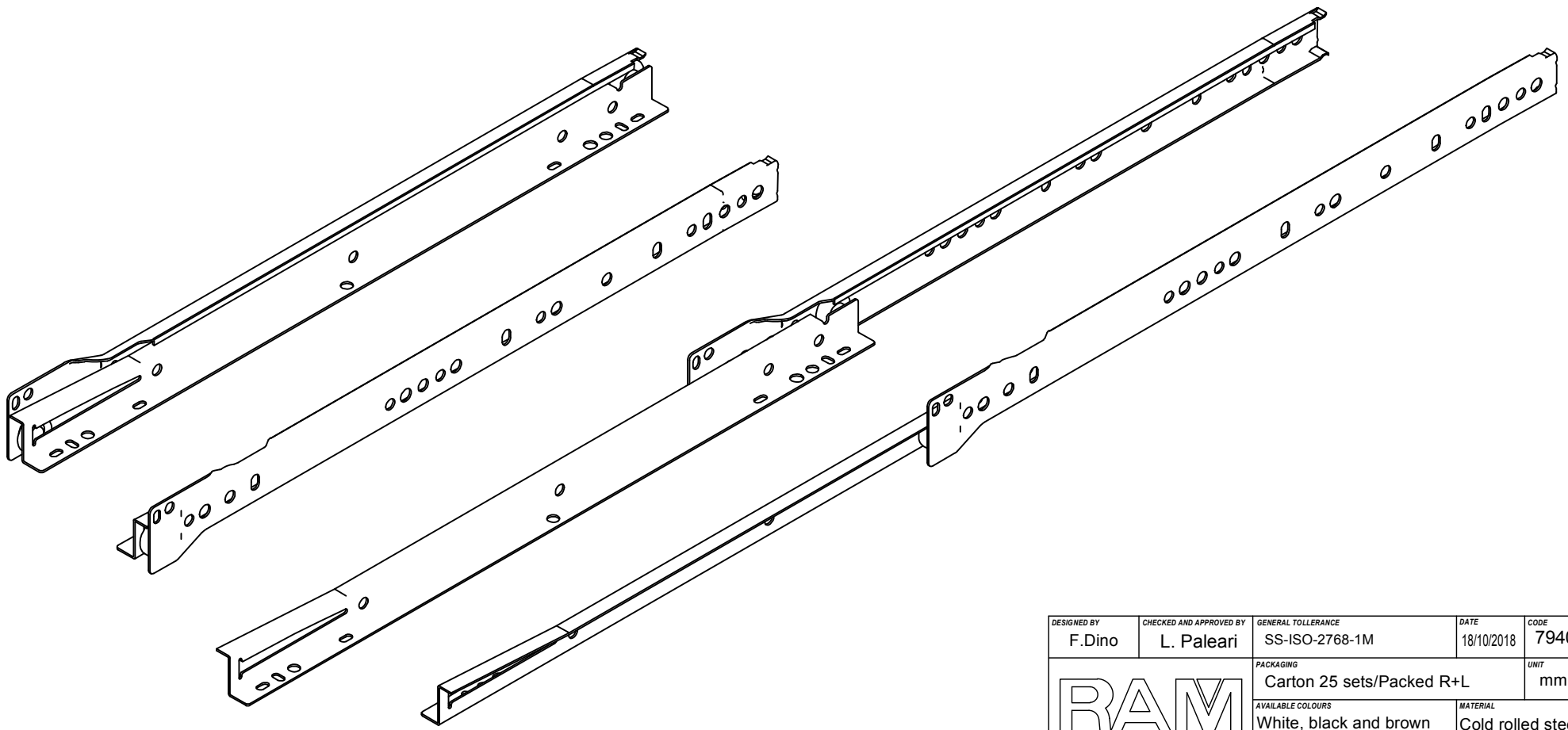
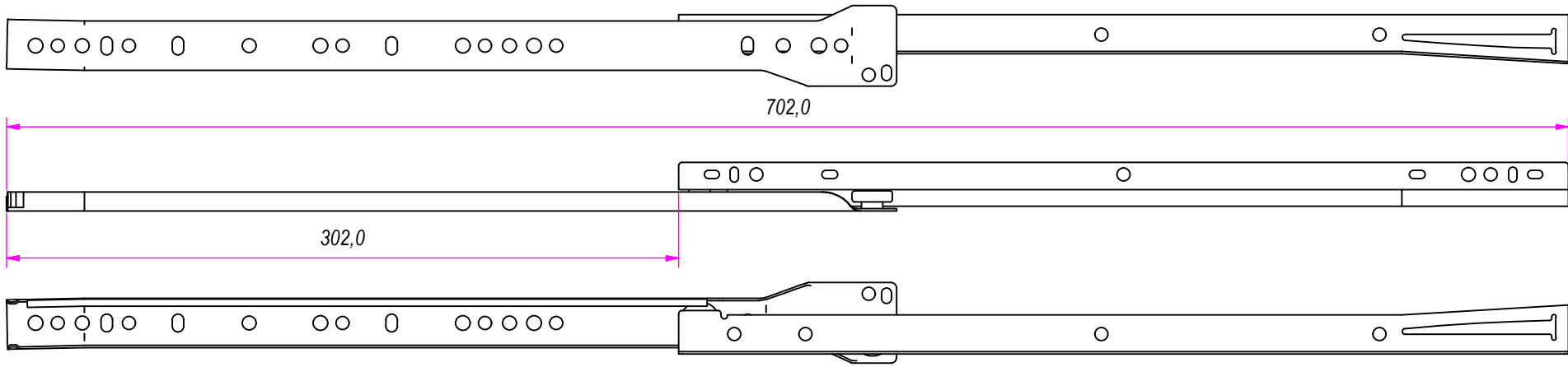


D (1:1)




Guide per cassetti; guide telescopiche	Coulisses à billes; coulisse télescopique	REVISION HISTORY	
Drawer slide; telescopic ball bearing slide	Guías para cajones; guía teleópica	REV	DESCRIPTION
Kugelführung; Teleskopschienen		1a	DATE
			18/10/2018

DESIGNED BY F. Dino	CHECKED AND APPROVED BY L. Paleari	GENERAL TOLLERANCE SS-ISO-2768-1M	DATE 18/10/2018	CODE 79400
		PACKAGING Carton 25 sets/Packed R+L	UNIT mm	SHEET 1 of 2
		AVAILABLE COLOURS White, black and brown finishing (epoxy powder painting)	MATERIAL Cold rolled steel	
		PAIR WEIGHT 0,482 Kg		
Property of RAM Industrie. Without its written authorization the present drawing shall neither be used for construction anyway, communicated to third parties, nor reproduced.				



Guide per cassetti; guide telescopiche	Coulisses à billes; coulisse télescopique	REVISION HISTORY	
Drawer slide; telescopic ball bearing slide	Guías para cajones; guía teleópica	REV	DESCRIPTION
Kugelführung; Teleskopschienen		1a	DATE

DESIGNED BY F.Dino	CHECKED AND APPROVED BY L. Paleari	GENERAL TOLLERANCE SS-ISO-2768-1M	DATE 18/10/2018	CODE 79400
		PACKAGING Carton 25 sets/Packed R+L	UNIT mm	SHEET 2 of 2
		AVAILABLE COLOURS White, black and brown finishing (epoxy powder painting)	MATERIAL Cold rolled steel	
		PAIR WEIGHT 0,482 Kg		
Property of RAM Industrie. Without its written authorization the present drawing shall neither be used for construction anyway, communicated to third parties, nor reproduced.				

18/10/2018