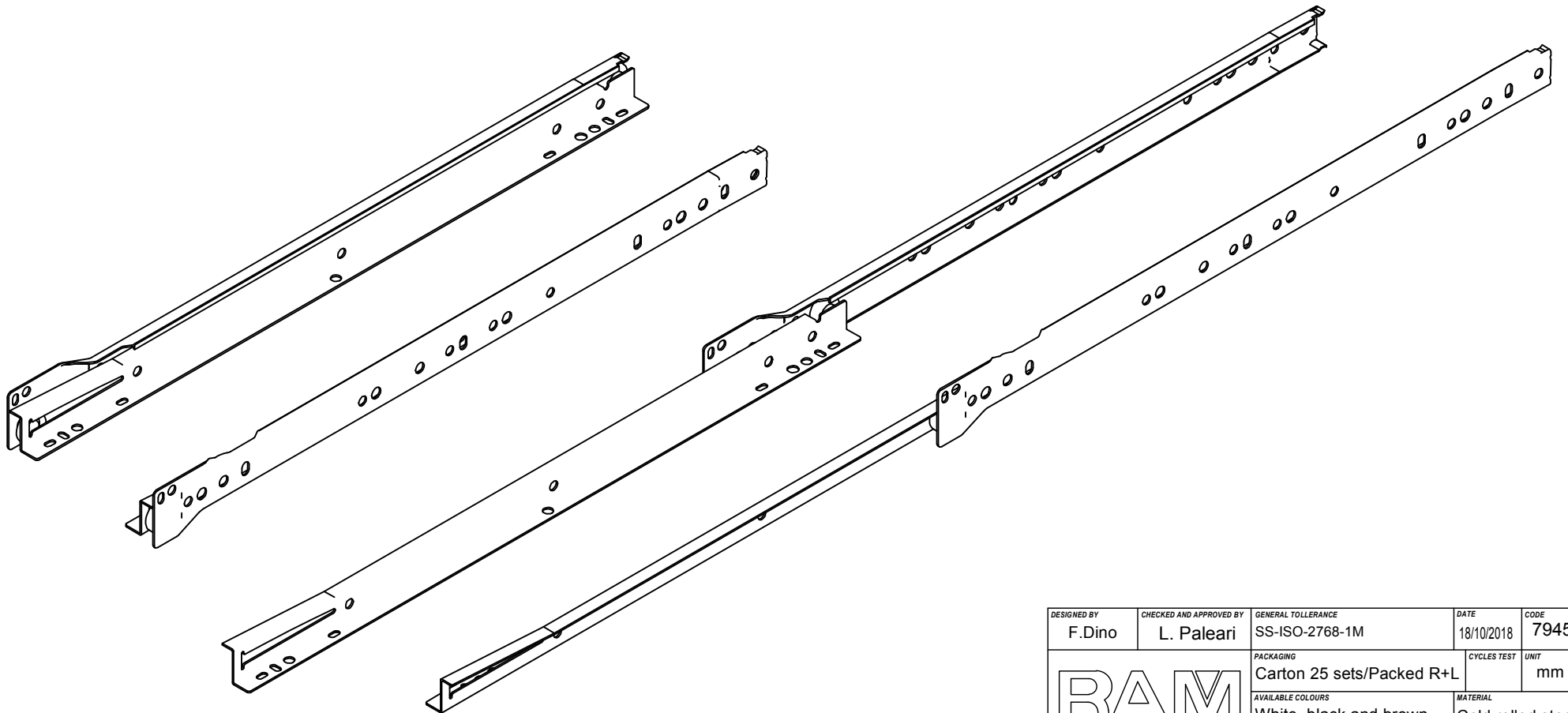
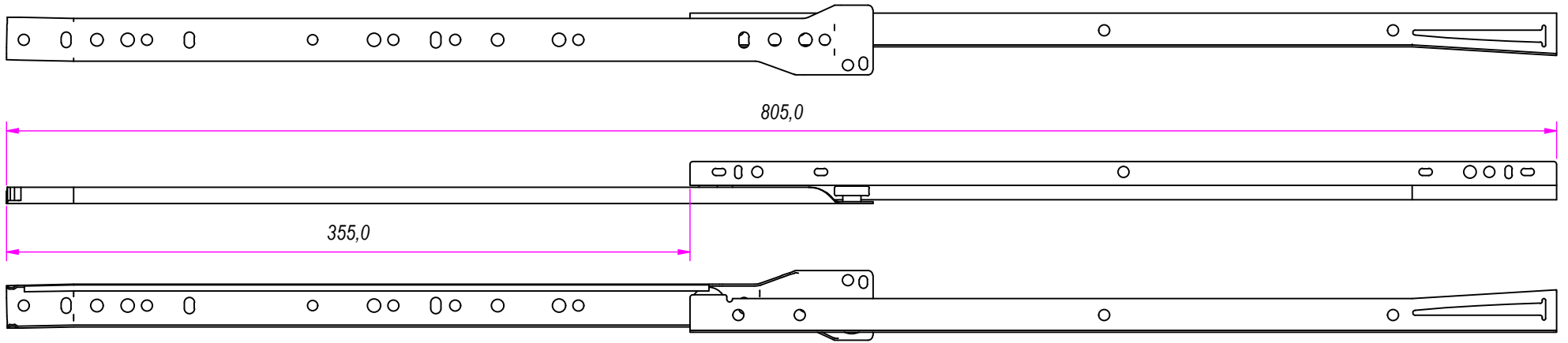



Guide per cassetti; guide telescopiche	Coulisses à billes; coulisse télescopique	
Drawer slide; telescopic ball bearing slide	Guías para cajones; guía teleópica	REV
Kugelführung; Teleskopschienen		1a

REVISION HISTORY	
DESCRIPTION	DATE
	18/10/2018

DESIGNED BY F. Dino	CHECKED AND APPROVED BY L. Paleari	GENERAL TOLLERANCE SS-ISO-2768-1M	DATE 18/10/2018	CODE 79450
		PACKAGING Carton 25 sets/Packed R+L	CYCLES TEST	UNIT mm
		AVAILABLE COLOURS White, black and brown finishing (epoxy powder painting)	MATERIAL Cold rolled steel	SHEET 1 of 2
			PAIR WEIGHT 0,581 Kg	SALT SPRAY TEST ✓
Property of RAM Industrie. Without its written authorization the present drawing shall neither be used for construction anyway, communicated to third parties, nor reproduced.				



Guide per cassetti; guide telescopiche	Coulisses à billes; coulisse télescopique	REVISION HISTORY	
Drawer slide; telescopic ball bearing slide	Guías para cajones; guía teleópica	REV	DESCRIPTION
Kugelführung; Teleskopschienen		1a	DATE

DESIGNED BY F. Dino	CHECKED AND APPROVED BY L. Paleari	GENERAL TOLLERANCE SS-ISO-2768-1M	DATE 18/10/2018	CODE 79450
		PACKAGING Carton 25 sets/Packed R+L	CYCLES TEST	UNIT mm
		AVAILABLE COLOURS White, black and brown finishing (epoxy powder painting)	MATERIAL Cold rolled steel	SHEET 2 of 2
		PAIR WEIGHT 0,581 Kg	SALT SPRAY TEST ✓	
Property of RAM Industrie. Without its written authorization the present drawing shall neither be used for construction anyway, communicated to third parties, nor reproduced.				