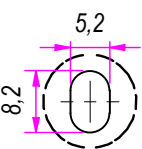
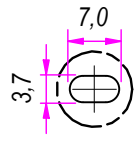


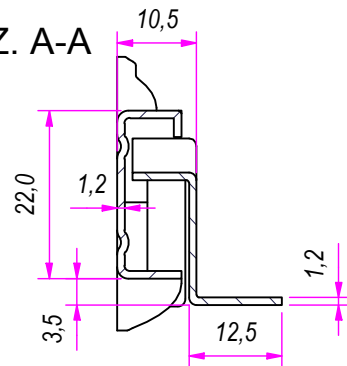
B (1:1)



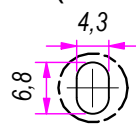
C (1:1)



SEZ. A-A

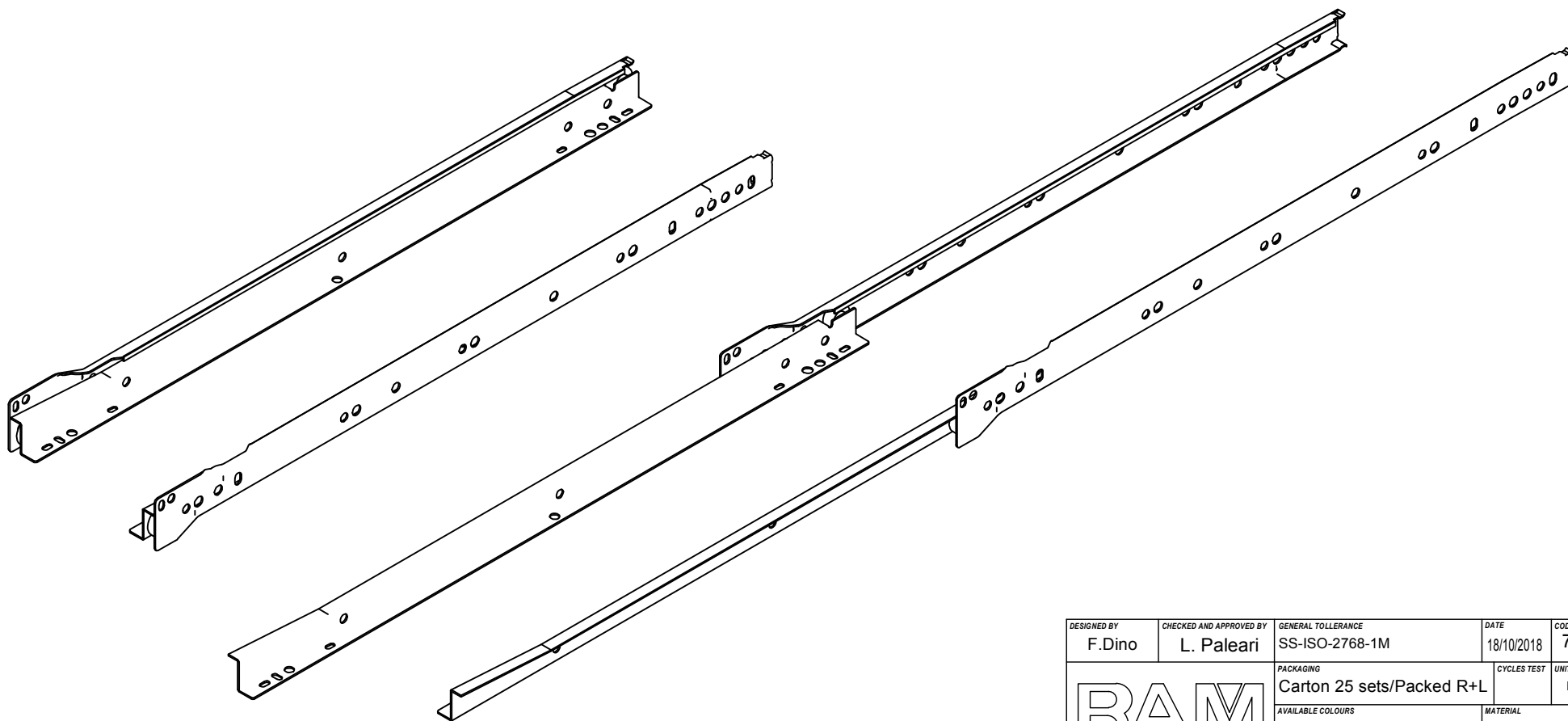
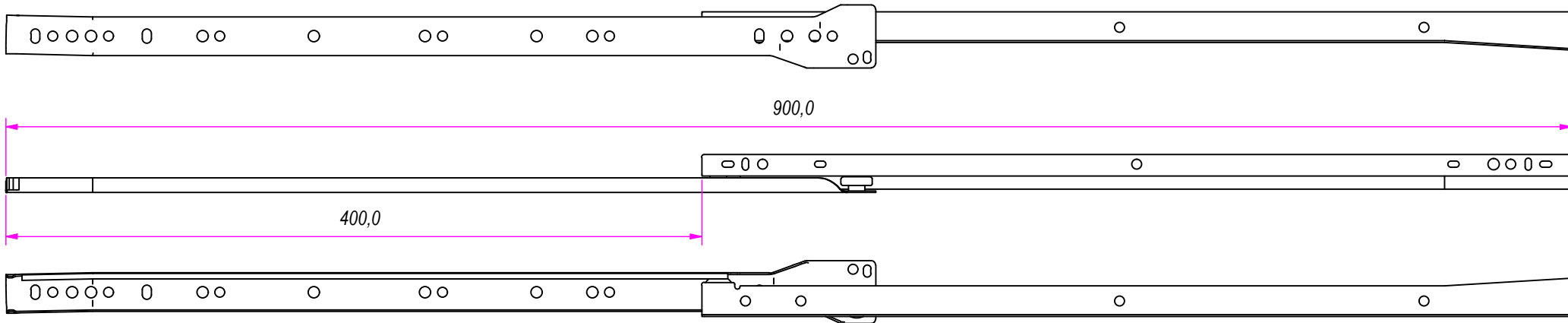


D (1:1)




Guide per cassetti; guide telescopiche	Coulisses à billes; coulisse télescopique	REVISION HISTORY	
Drawer slide; telescopic ball bearing slide	Guías para cajones; guía teleópica	REV	DESCRIPTION
Kugelführung; Teleskopschienen		1a	DATE
			18/10/2018

DESIGNED BY F. Dino	CHECKED AND APPROVED BY L. Paleari	GENERAL TOLERANCE SS-ISO-2768-1M	DATE 18/10/2018	CODE 79500
		PACKAGING Carton 25 sets/Packed R+L	CYCLES TEST	UNIT mm
		AVAILABLE COLOURS White, black and brown finishing (epoxy powder painting)	MATERIAL Cold rolled steel	SHEET 1 of 2
		PAIR WEIGHT 0,64 Kg	SALT SPRAY TEST	
				L/O LABEL ✓
Property of RAM Industrie. Without its written authorization the present drawing shall neither be used for construction anyway, communicated to third parties, nor reproduced.				



Guide per cassetti; guide telescopica	Coulisses à billes; coulisse télescopique
Drawer slide; telescopic ball bearing slide	Guías para cajones; guía teleópica
Kugelführung; Teleskopschienen	

REVISION HISTORY	
REV	DESCRIPTION
1a	

DESIGNED BY F. Dino	CHECKED AND APPROVED BY L. Paleari	GENERAL TOLLERANCE SS-ISO-2768-1M	DATE 18/10/2018	CODE 79500	
		PACKAGING Carton 25 sets/Packed R+L	CYCLES TEST	UNIT mm	SHEET 2 of 2
		AVAILABLE COLOURS White, black and brown finishing (epoxy powder painting)	MATERIAL Cold rolled steel	SALT SPRAY TEST	
		PAIR WEIGHT 0,64 Kg	L/O LABEL ✓		
Property of RAM Industrie. Without its written authorization the present drawing shall neither be used for construction anyway, communicated to third parties, nor reproduced.					