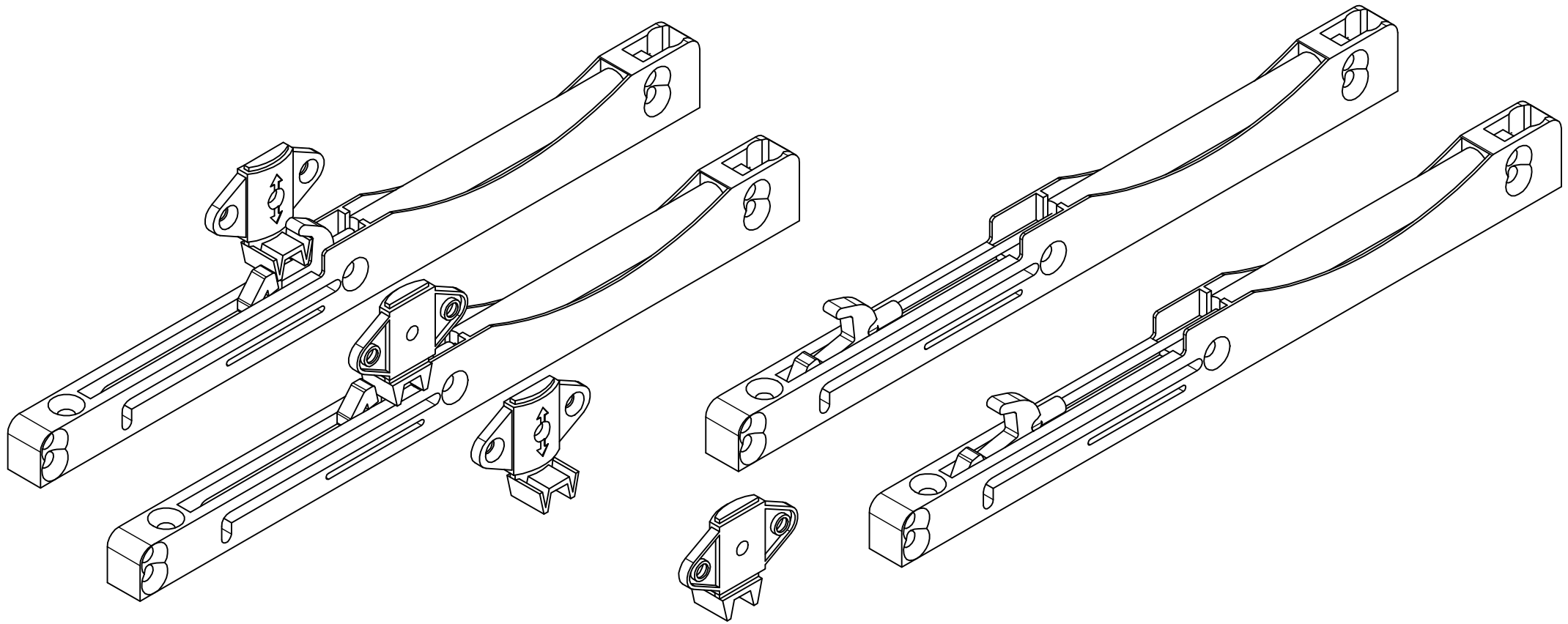


REVISION HISTORY			
REV	DESCRIPTION	APPROVED BY	DATE
1		F.Dino	01/12/2016


DESIGNED BY F.Dino	CHECKED AND APPROVED BY L. Paleari	DATE 01/12/2016	CODE 79SCS	
GENERAL TOLLERANCE SS-ISO-2768-1M		UNIT mm	SCALE	SHEET 1 of 2
DESCRIPTION Universal soft-self closing device		MATERIAL		
DEVICE		PIECE WEIGHT 0,029 Kg	02C	

**RAM**  
INDUSTRIE

Property of RAM Industrie.  
Without its written authorization the present drawing shall neither be used for construction anyway, communicated to third parties, nor reproduced.



REVISION HISTORY			
REV	DESCRIPTION	APPROVED BY	DATE
1		F.Dino	01/12/2016

DESIGNED BY F.Dino	CHECKED AND APPROVED BY L. Paleari	DATE 01/12/2016	CODE 79SCS	
		GENERAL TOLLERANCE SS-ISO-2768-1M	UNIT mm	SHEET 2 of 2
		DESCRIPTION Universal soft-self closing device	MATERIAL Cold rolled steel	
DEVICE		PIECE WEIGHT 0,029 Kg	02C	

Property of RAM Industrie.  
Without its written authorization the present drawing shall neither be used for construction anyway, communicated to third parties, nor reproduced.