
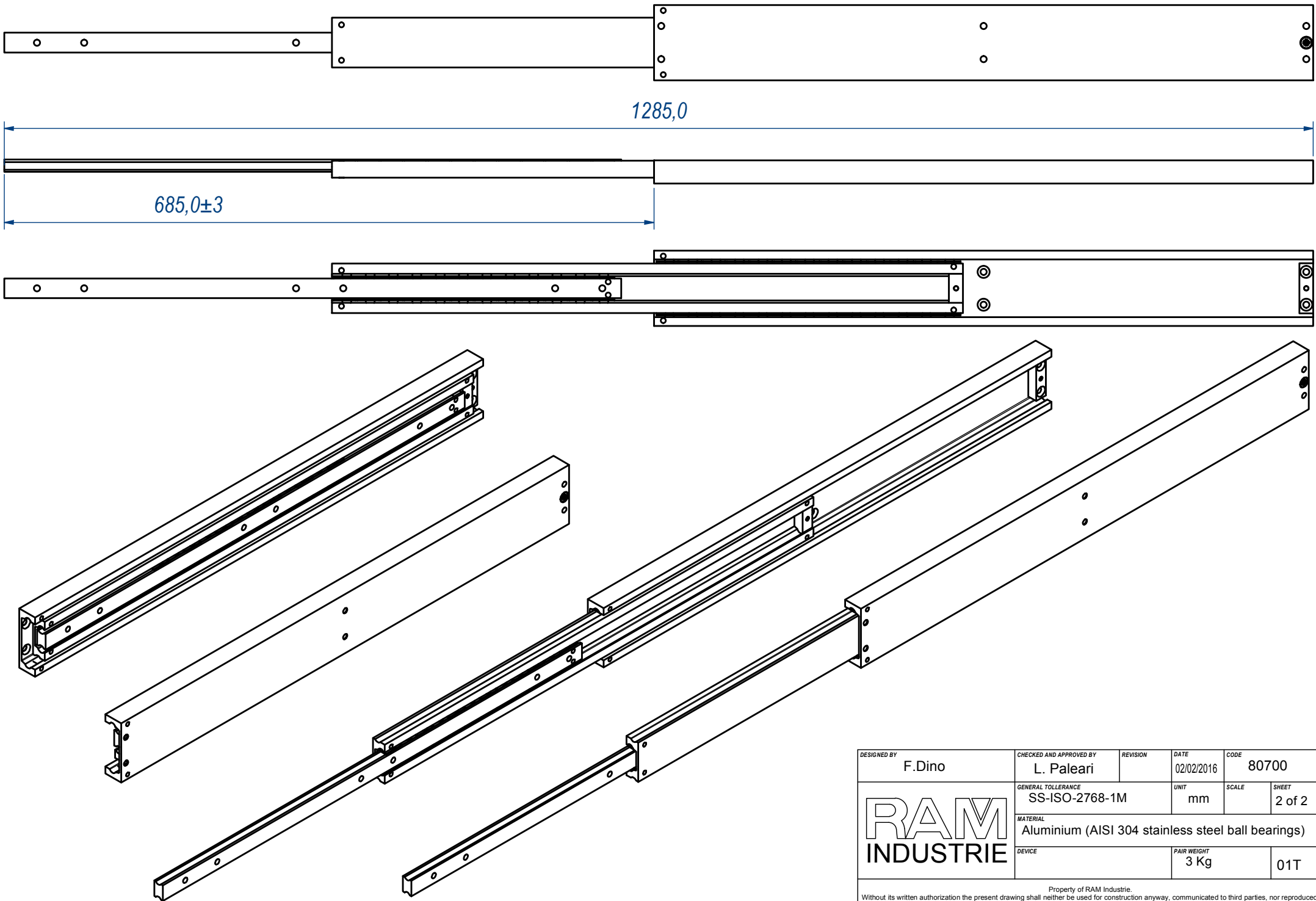


DESIGNED BY F.Dino	CHECKED AND APPROVED BY L. Paleari	REVISION	DATE 02/02/2016	CODE 80700
	GENERAL TOLLERANCE SS-ISO-2768-1	UNIT mm	SCALE	SHEET 1 of 2
	MATERIAL Aluminium (AISI 304 stainless steel ball bearings)			
	DEVICE	PAIR WEIGHT 3 Kg	01T	

Property of RAM Industrie.
Without its written authorization the present drawing shall neither be used for construction anyway, communicated to third parties, nor reproduced.



DESIGNED BY F.Dino	CHECKED AND APPROVED BY L. Paleari	REVISION	DATE 02/02/2016	CODE 80700
GENERAL TOLLERANCE SS-ISO-2768-1M		UNIT mm	SCALE	SHEET 2 of 2
MATERIAL Aluminium (AISI 304 stainless steel ball bearings)				
DEVICE			PAIR WEIGHT 3 Kg	01T

Property of RAM Industrie.
Without its written authorization the present drawing shall neither be used for construction anyway, communicated to third parties, nor reproduced.