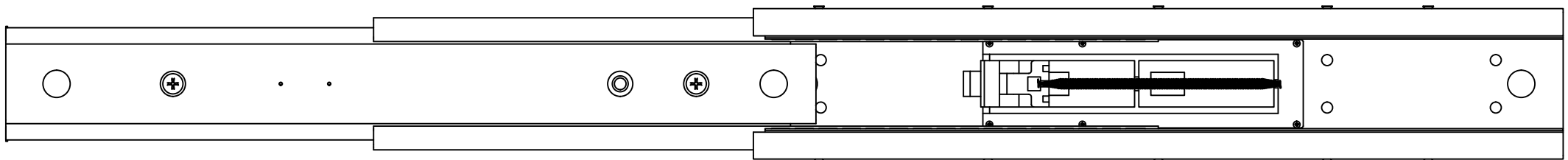
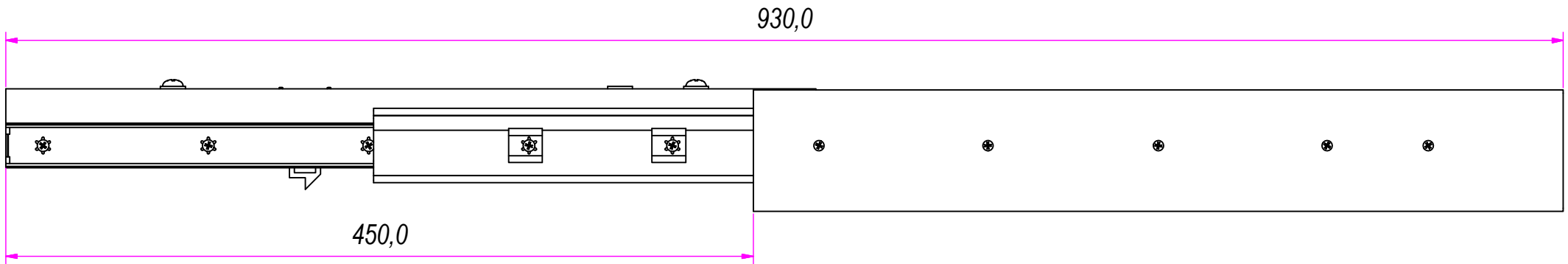
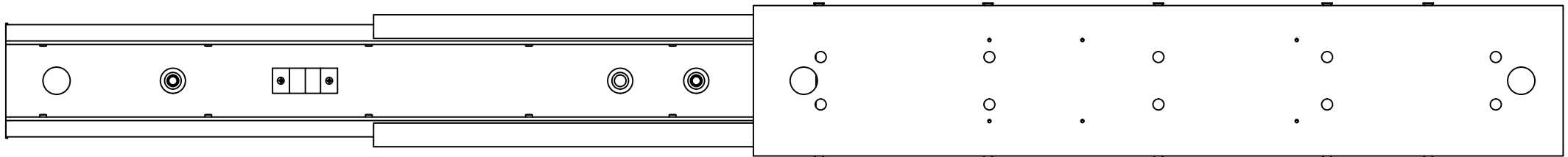



REVISION HISTORY			
REV	DESCRIPTION	APPROVED BY	DATE
1		F.Dino	16/12/2016

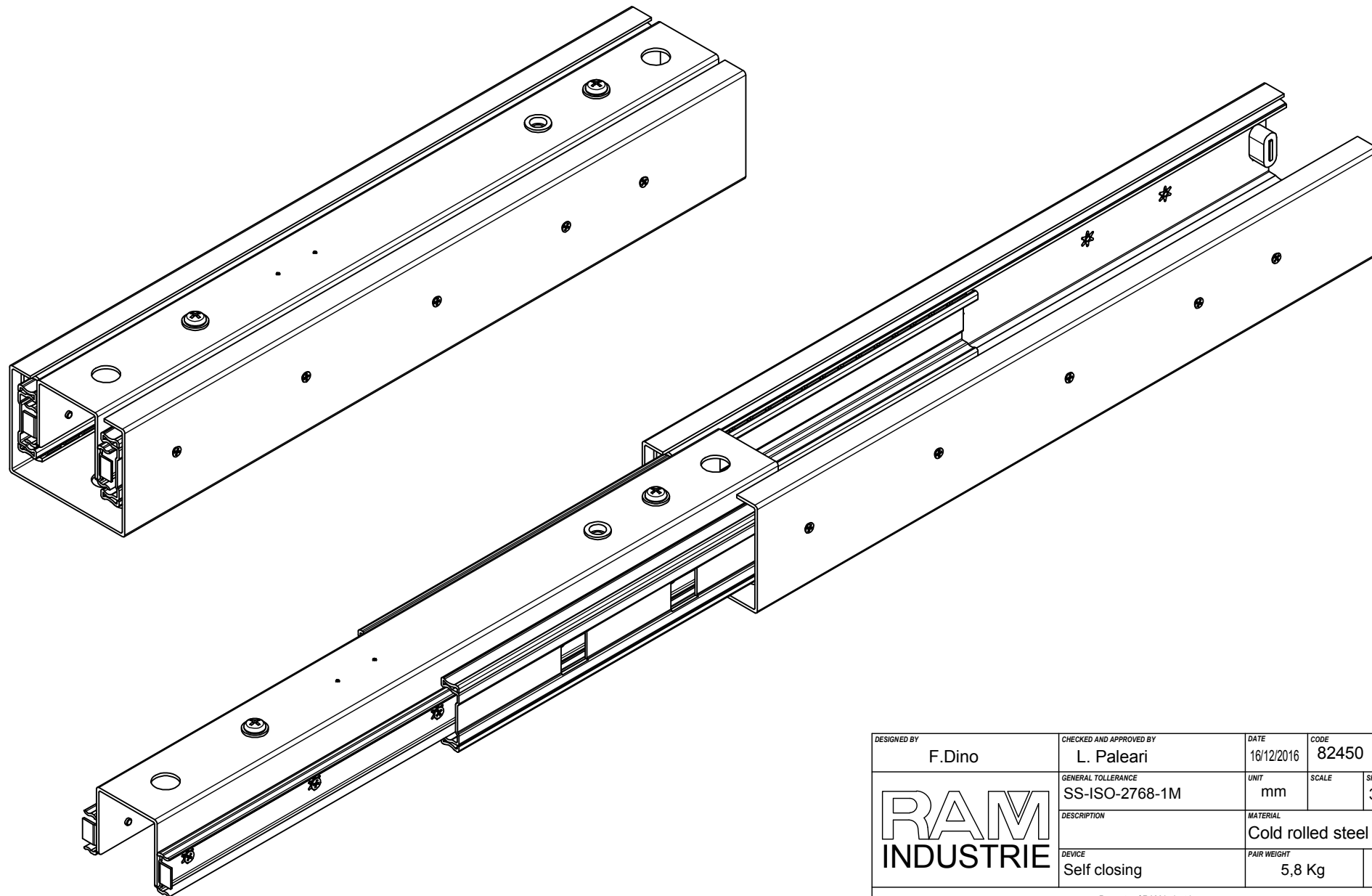
DESIGNED BY F.Dino	CHECKED AND APPROVED BY L. Paleari	DATE 16/12/2016	CODE 82450	
		GENERAL TOLLERANCE SS-ISO-2768-1M	UNIT mm	SCALE 1 of 3
		DESCRIPTION Self closing	MATERIAL Cold rolled steel	PAIR WEIGHT 5,8 Kg
<small>Property of RAM Industrie. Without its written authorization the present drawing shall neither be used for construction anyway, communicated to third parties, nor reproduced.</small>				




REVISION HISTORY			
REV	DESCRIPTION	APPROVED BY	DATE
1		F.Dino	16/12/2016

DESIGNED BY F.Dino	CHECKED AND APPROVED BY L. Paleari	DATE 16/12/2016	CODE 82450
	GENERAL TOLLERANCE SS-ISO-2768-1M	UNIT mm	SCALE 2 of 3
	DESCRIPTION Self closing	MATERIAL Cold rolled steel	PAIR WEIGHT 5,8 Kg
			01T

Property of RAM Industrie.
Without its written authorization the present drawing shall neither be used for construction anyway, communicated to third parties, nor reproduced.



DESIGNED BY F.Dino	CHECKED AND APPROVED BY L. Paleari	DATE 16/12/2016	CODE 82450	
	GENERAL TOLLERANCE SS-ISO-2768-1M	UNIT mm	SCALE	SHEET 3 of 3
	DESCRIPTION	MATERIAL Cold rolled steel		
DEVICE Self closing	PAIR WEIGHT 5,8 Kg	01T		

Property of RAM Industrie.
Without its written authorization the present drawing shall neither be used for construction anyway, communicated to third parties, nor reproduced.