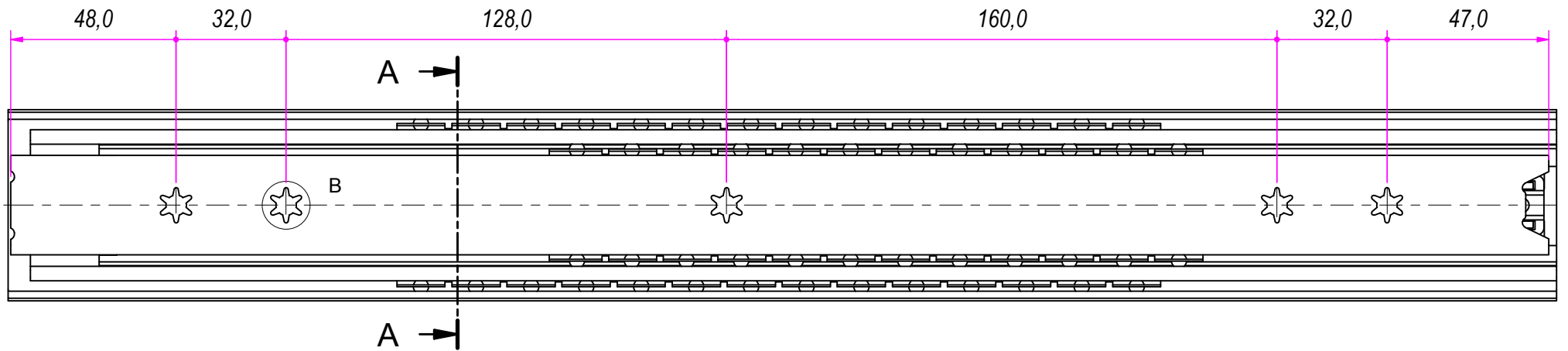
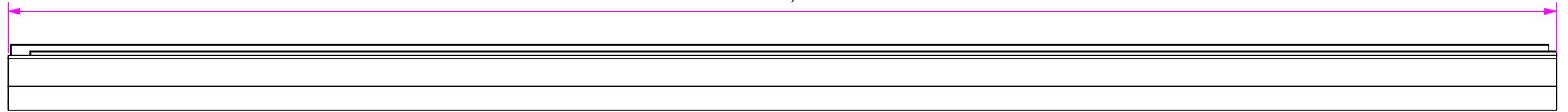
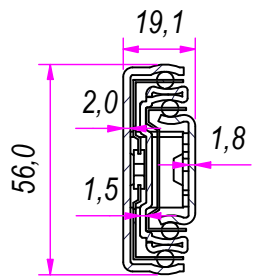


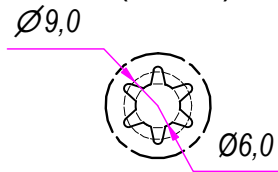
450,0



SEZ. A-A



B (1:1)



Guide per cassetti; guide telescopiche	Coulisses à billes; coulisse télescopique	REVISION HISTORY	
Drawer slide; telescopic ball bearing slide	Guías para cajones; guía teleópica	REV	DESCRIPTION
Kugelführung; Teleskopschienen		1a	DATE

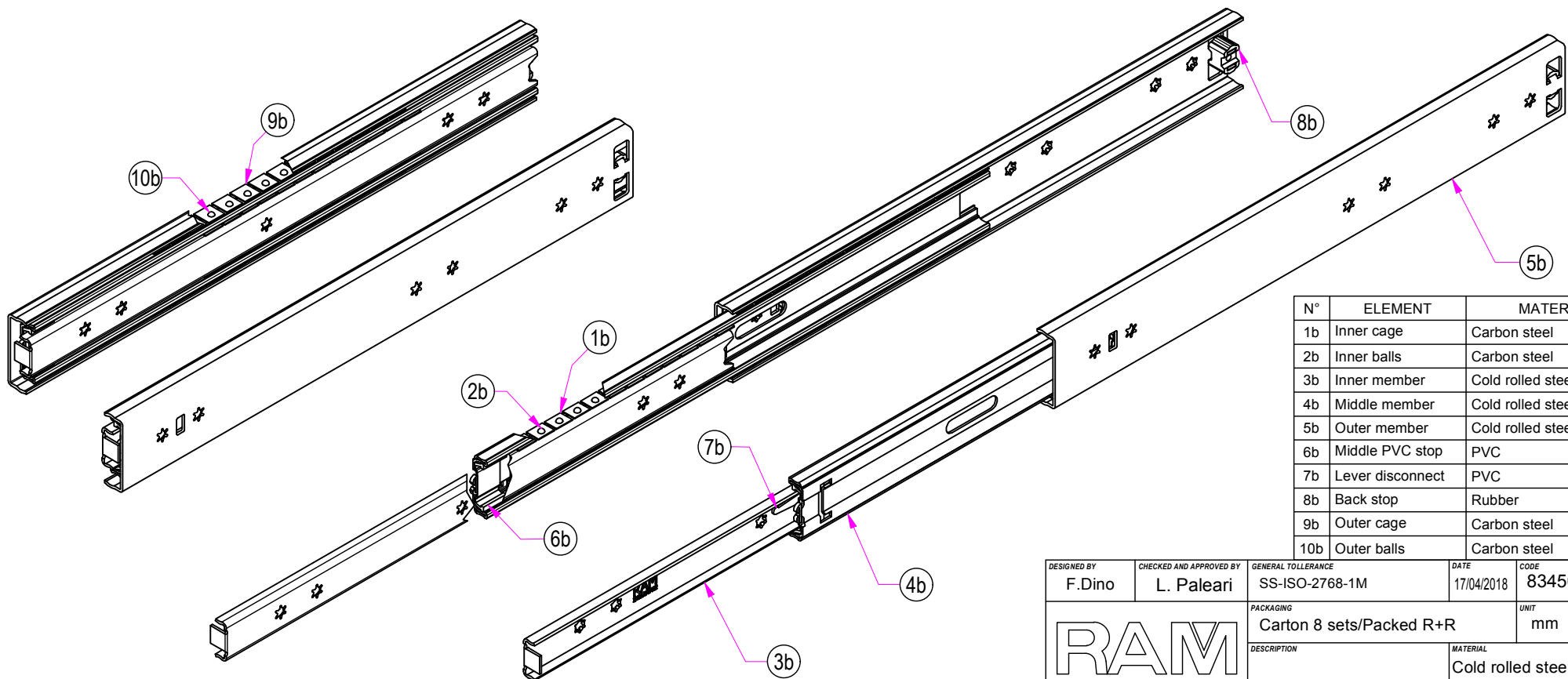
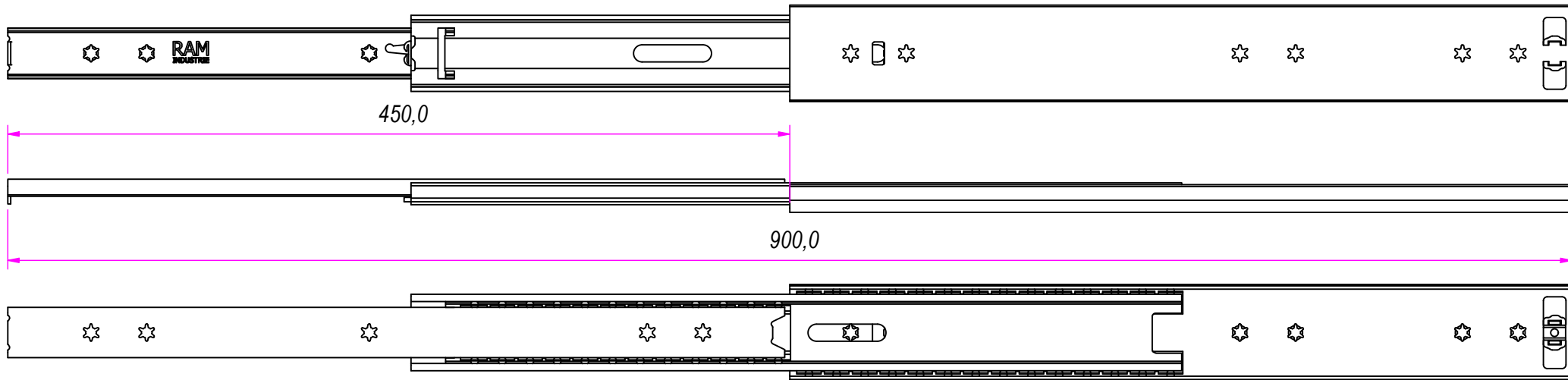
DESIGNED BY		CHECKED AND APPROVED BY		GENERAL TOLLERANCE		DATE		CODE	
F. Dino		L. Paleari		SS-ISO-2768-1M		17/04/2018		83450	
PACKAGING				UNIT		SHEET			
Carton 8 sets/Packed R+R				mm		1 of 2			
DESCRIPTION						MATERIAL			
						Cold rolled steel			
DEVICE						PAIR WEIGHT			
						2,612 Kg		01T	

DESIGNED BY		CHECKED AND APPROVED BY		GENERAL TOLLERANCE		DATE		CODE	
F. Dino		L. Paleari		SS-ISO-2768-1M		17/04/2018		83450	
PACKAGING				UNIT		SHEET			
Carton 8 sets/Packed R+R				mm		1 of 2			
DESCRIPTION						MATERIAL			
						Cold rolled steel			
DEVICE						PAIR WEIGHT			
						2,612 Kg		01T	

RAM
INDUSTRIE

Property of RAM Industrie.

Without its written authorization the present drawing shall neither be used for construction anyway, communicated to third parties, nor reproduced.



N°	ELEMENT	MATERIAL
1b	Inner cage	Carbon steel
2b	Inner balls	Carbon steel
3b	Inner member	Cold rolled steel
4b	Middle member	Cold rolled steel
5b	Outer member	Cold rolled steel
6b	Middle PVC stop	PVC
7b	Lever disconnect	PVC
8b	Back stop	Rubber
9b	Outer cage	Carbon steel
10b	Outer balls	Carbon steel

DESIGNED BY F. Dino	CHECKED AND APPROVED BY L. Paleari	GENERAL TOLERANCE SS-ISO-2768-1M	DATE 17/04/2018	CODE 83450
PACKAGING Carton 8 sets/Packed R+R			UNIT mm	SHEET 2 of 2
DESCRIPTION RAM INDUSTRIE			MATERIAL Cold rolled steel	
DEVICE			PAIR WEIGHT 2,612 Kg	01T

REVISION HISTORY	DESCRIPTION	DATE
REV 1a		17/04/2018

Guide per cassetti; guide telescopiche	Coulisses à billes; coulisse télescopique
Drawer slide; telescopic ball bearing slide	Guías para cajones; guía teleópica
Kugelführung; Teleskopschienen	

Property of RAM Industrie.
Without its written authorization the present drawing shall neither be used for construction anyway, communicated to third parties, nor reproduced.