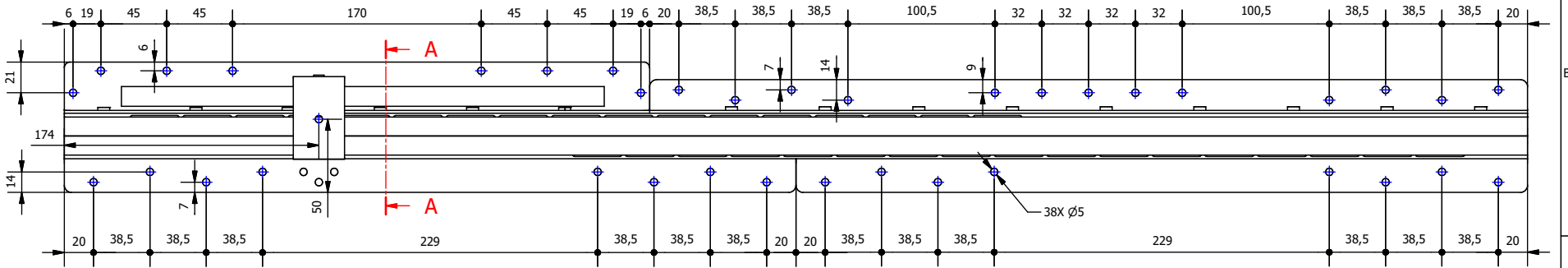
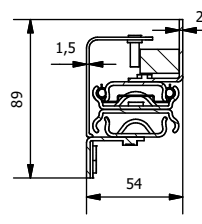
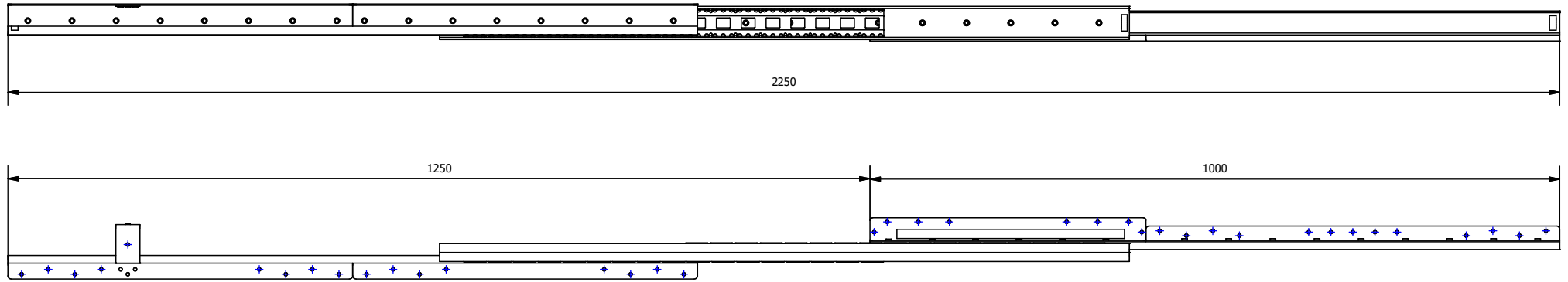


A-A ( 1:3 )



DESIGNED BY <b>Paula</b>	CHECKED AND APPROVED BY <b>Assia</b>	DATE <b>18/02/2025</b>	CODE <b>841000</b>
GENERAL TOLERANCE <b>SS-ISO-2768-1M</b>		UNIT <b>A3</b>	SCALE <b>1:3</b>
DESCRIPTION <b>Ball bearings slide</b>		MATERIAL <b>Cold rolled steel</b>	
DEVICES		PAIR WEIGHT <b>11,35 kg</b>	REVISION <b>00</b>


Property of Ram Indústria  
Without its written authorization, the present drawing shall neither be used for construction anyway, communicated to third parts, nor reproduced



SCALE 1:6



SCALE 1:8

DESIGNED BY <b>Paula</b>	CHECKED AND APPROVED BY <b>Assia</b>	DATE <b>18/02/2025</b>	CODE <b>841000</b>
		GENERAL TOLLERANCE <b>SS-ISO-2768-1M</b>	UNIT <b>A3</b>
		SCALE <b>1:6</b>	SHEET <b>2/2</b>
DESCRIPTION <b>Ball bearings slide</b>		MATERIAL <b>Cold rolled steel</b>	
DEVICES		PAIR WEIGHT <b>11,35 kg</b>	REVISION <b>00</b>

Property of Ram Industrie  
without its written authorization, the present drawing shall neither  
be used for construction anyway, communicated to third parties, nor reproduced