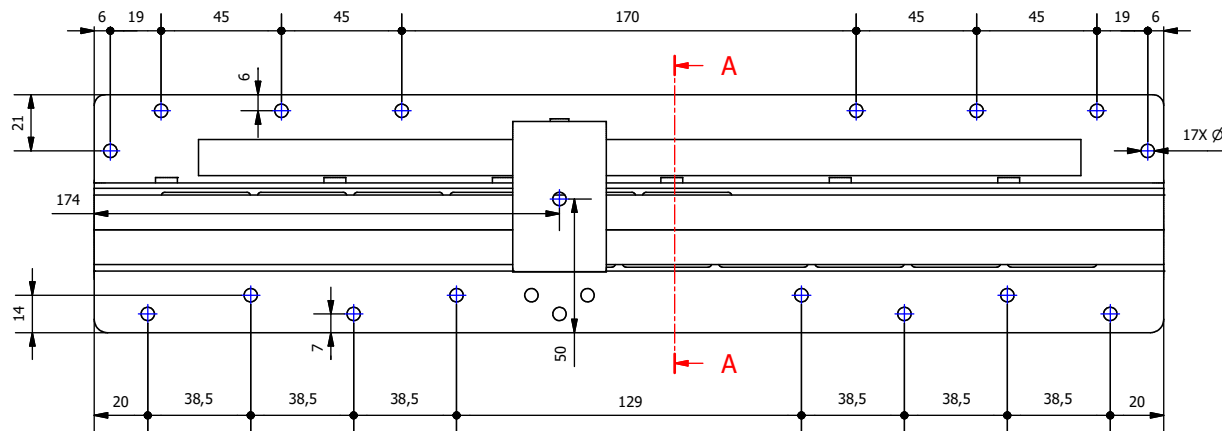
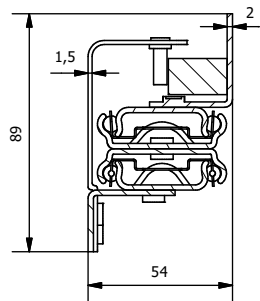
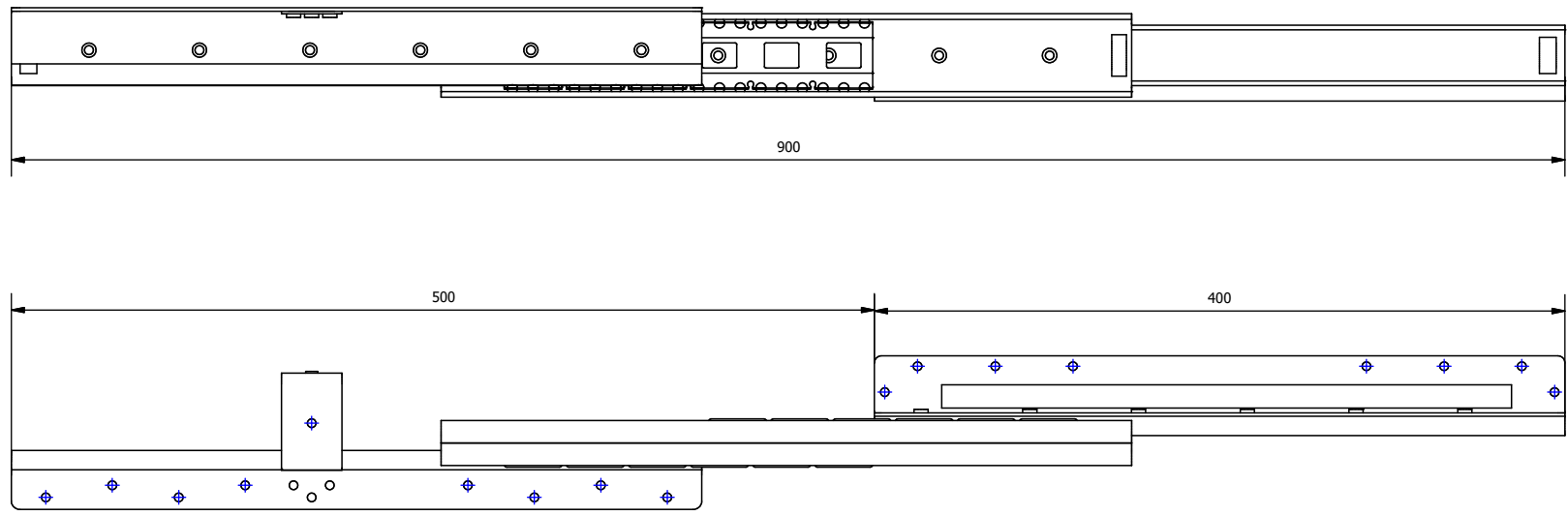


A-A (1:2)

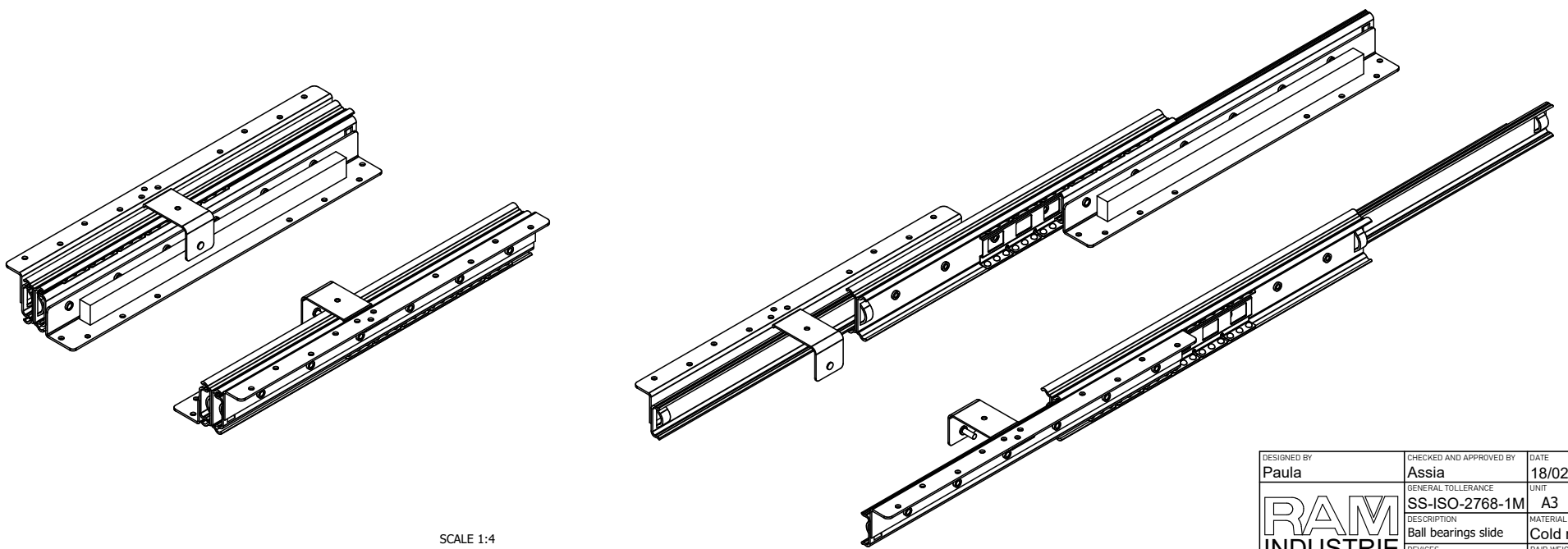


DESIGNED BY Paula	CHECKED AND APPROVED BY Assia	DATE 18/02/2025	CODE 84400
GENERAL TOLERANCE		UNIT A3	SCALE 1:2
DESCRIPTION Ball bearings slide		MATERIAL Cold rolled steel	SHEET 1/2
DEVICES		PAIR WEIGHT 4,79 kg	REVISION 00

Property of Ram Industrie
without its written authorization, the present drawing shall neither
be used for construction anyway, communicated to third parties, nor reproduced



SCALE 1:3



SCALE 1:4

DESIGNED BY Paula	CHECKED AND APPROVED BY Assia	DATE 18/02/2025	CODE 84400
RAM INDUSTRIE	GENERAL TOLERANCE SS-ISO-2768-1M	UNIT A3	SCALE 1:3
	DESCRIPTION Ball bearings slide	MATERIAL Cold rolled steel	SHEET 2/2
DEVICES	PAIR WEIGHT 4,79 kg	REVISION 00	

Property of Ram Industrie
without its written authorization, the present drawing shall neither
be used for construction anyway, communicated to third parts, nor reproduced