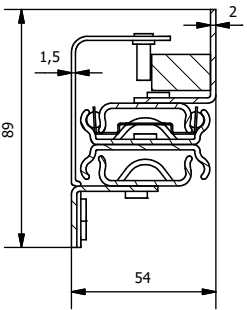
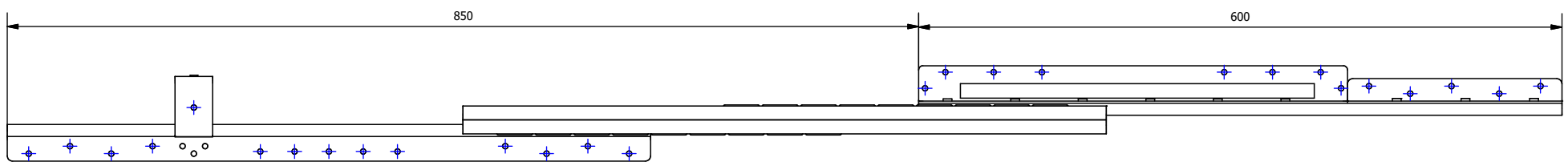
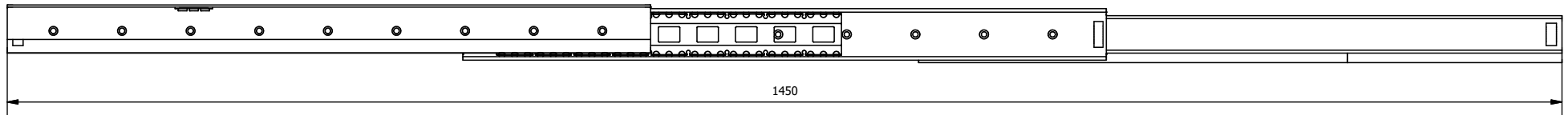


A-A (1:2)

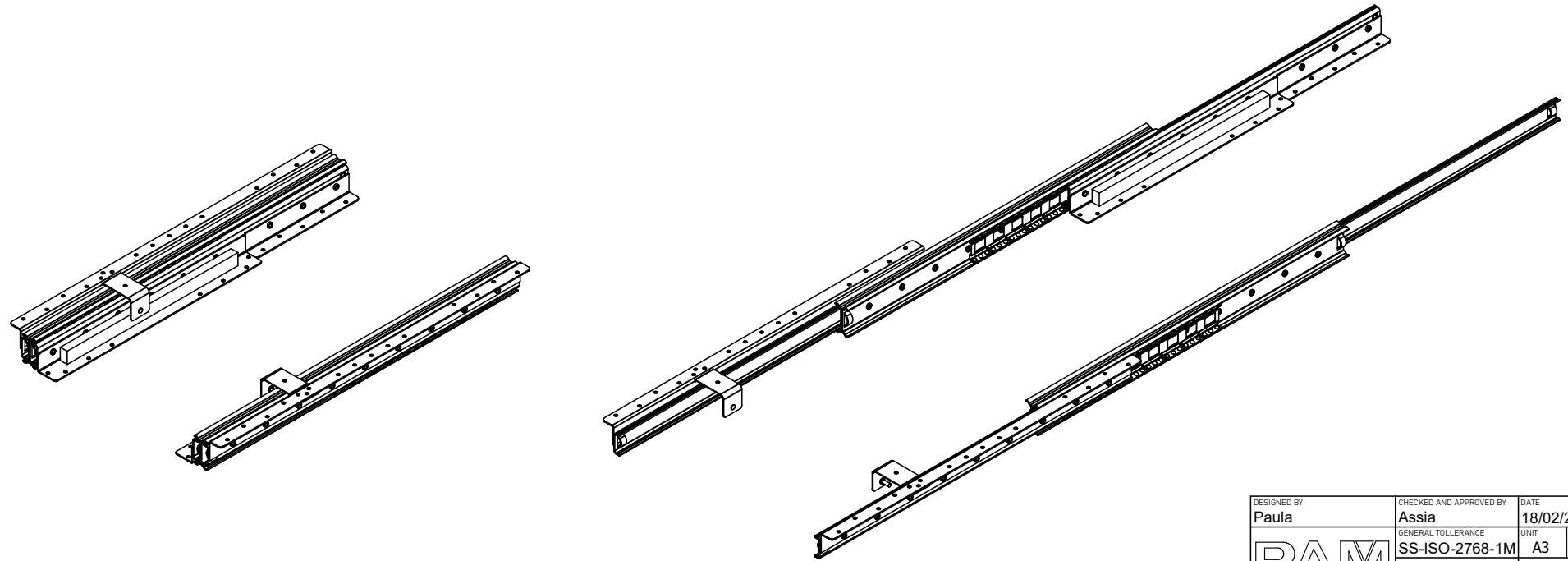


DESIGNED BY <b>Paula</b>	CHECKED AND APPROVED BY <b>Assia</b>	DATE <b>18/02/2025</b>	CODE <b>84600</b>
<b>RAM</b> <b>INDUSTRIE</b>	GENERAL TOLERANCE <b>SS-ISO-2768-1M</b>	UNIT <b>A3</b>	SCALE <b>1:2</b>
	DESCRIPTION <b>Ball bearings slide</b>	MATERIAL <b>Cold rolled steel</b>	SHEET <b>1/2</b>
	DEVICES	PAIR WEIGHT <b>6,938 kg</b>	REVISION <b>00</b>

Property of Ram Indústria  
Without its written authorization, the present drawing shall neither  
be used for construction anyway, communicated to third parts, nor reproduced



SCALE 1:4



SCALE 1:6

DESIGNED BY <b>Paula</b>	CHECKED AND APPROVED BY <b>Assia</b>	DATE <b>18/02/2025</b>	CODE <b>84600</b>
<b>RAM</b> <b>INDUSTRIE</b>	GENERAL TOLERANCE <b>SS-ISO-2768-1M</b>	UNIT <b>A3</b>	SCALE <b>1:4</b>
	DESCRIPTION <b>Ball bearings slide</b>	MATERIAL <b>Cold rolled steel</b>	SHEET <b>2/2</b>
DEVICES	PAIR WEIGHT <b>6,938 kg</b>	REVISION <b>00</b>	

Property of Ram Industrie  
without its written authorization, the present drawing shall neither  
be used for construction anyway, communicated to third parties, nor reproduced