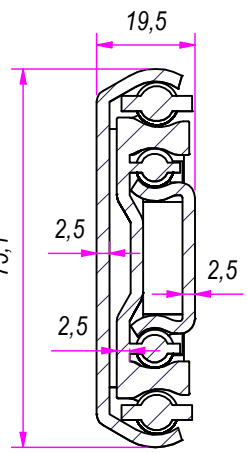


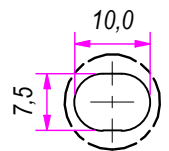
Cage with 35 ball bearings

SEZ. A-A

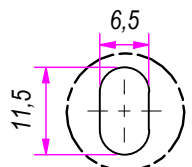
Cage with 34 ball bearings



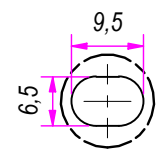
B (1:1)



C (1:1)

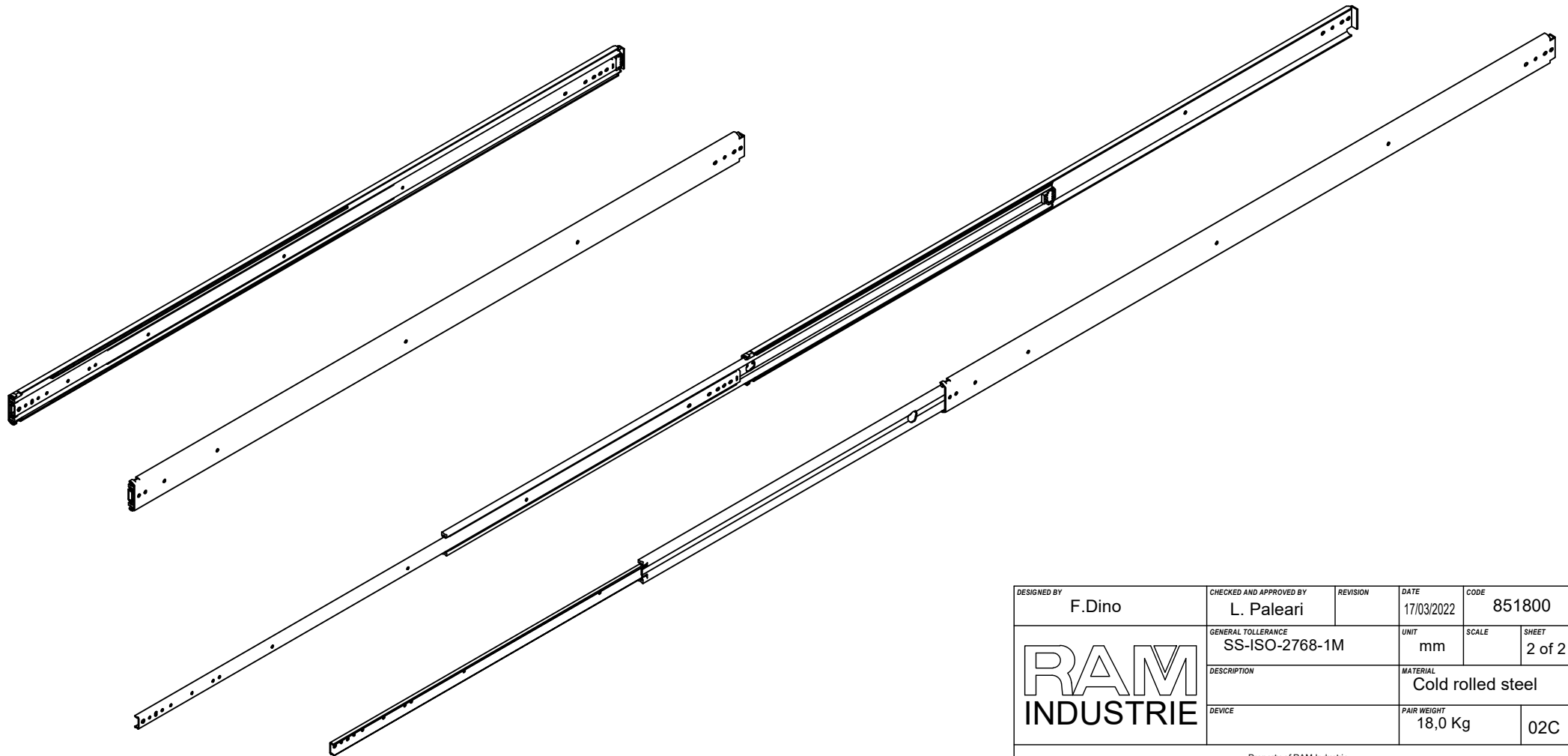
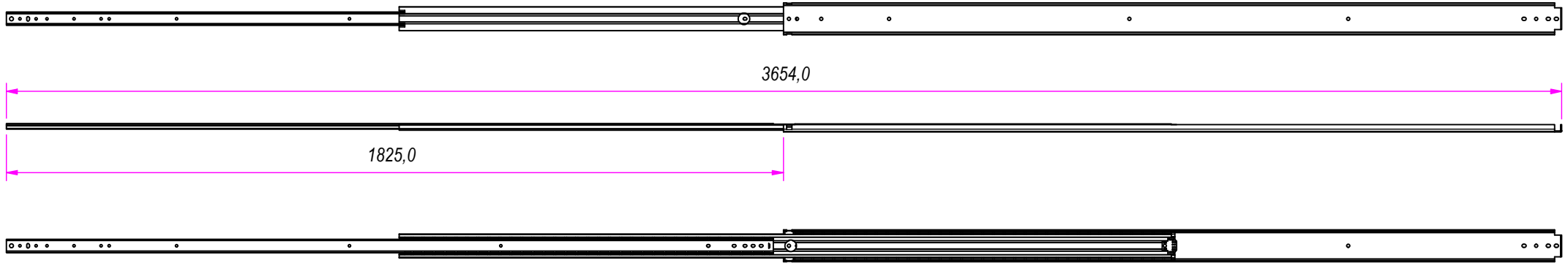


D (1:1)



DESIGNED BY <b>F.Dino</b>	CHECKED AND APPROVED BY <b>L. Paleari</b>	REVISION	DATE 17/03/2022	CODE 851800
<b>RAM</b> <b>INDUSTRIE</b>		GENERAL TOLERANCE SS-ISO-2768-1M	UNIT mm	SCALE 1 of 2
		DESCRIPTION	MATERIAL Cold rolled steel	
DEVICE		PAIR WEIGHT 18,0 Kg	02C	

Property of RAM Industrie.  
Without its written authorization the present drawing shall neither be used for construction anyway, communicated to third parties, nor reproduced.



DESIGNED BY F.Dino	CHECKED AND APPROVED BY L. Paleari	REVISION	DATE 17/03/2022	CODE 851800
GENERAL TOLLERANCE SS-ISO-2768-1M			UNIT mm	SCALE SHEET 2 of 2
DESCRIPTION <b>RAM INDUSTRIE</b>			MATERIAL Cold rolled steel	
DEVICE			PAIR WEIGHT 18,0 Kg	02C

Property of RAM Industrie.  
Without its written authorization the present drawing shall neither be used for construction anyway, communicated to third parties, nor reproduced.