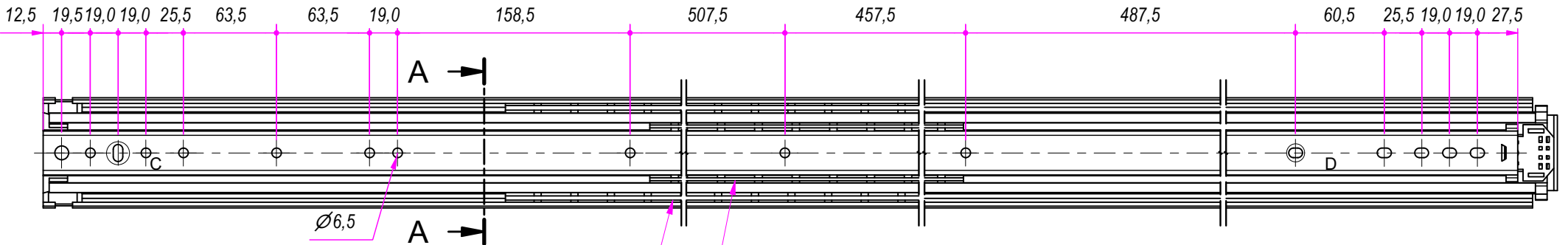


2031,0



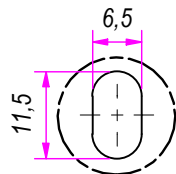
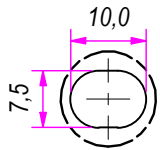
Cage with 39 ball bearings

SEZ. A-A

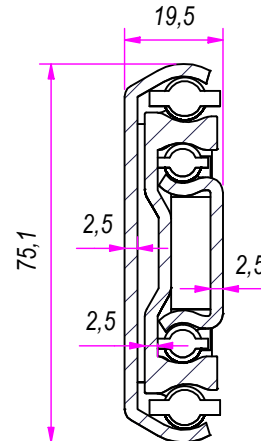
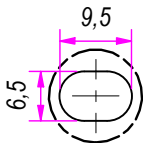
Cage with 38 ball bearings

B (1:1)

C (1:1)

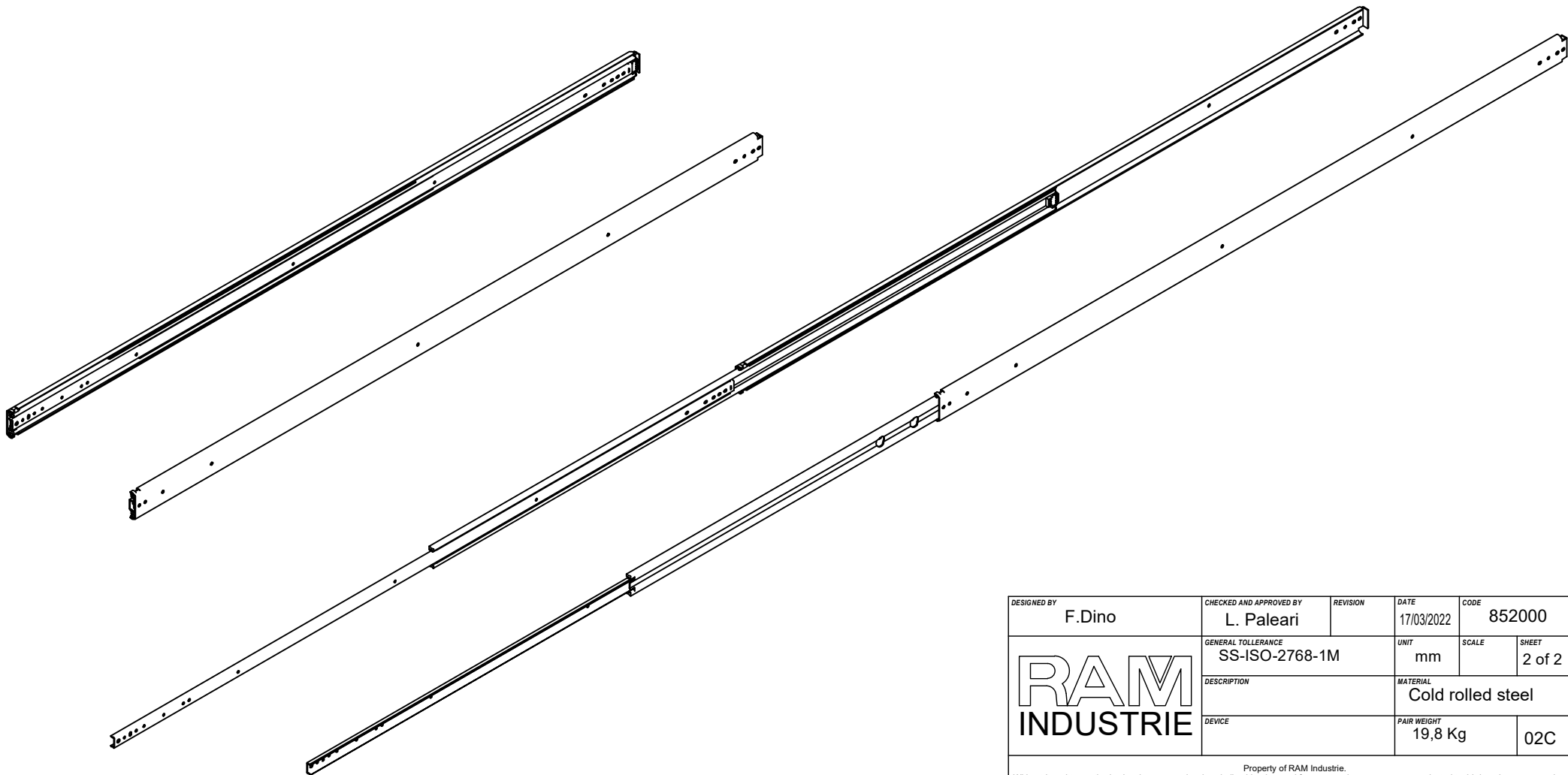
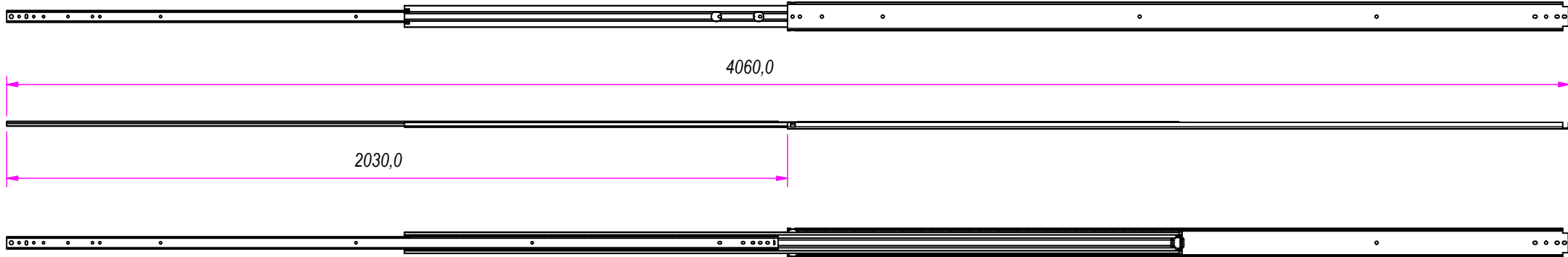


D (1:1)



DESIGNED BY F.Dino	CHECKED AND APPROVED BY L. Paleari	REVISION	DATE 17/03/2022	CODE 852000
RAM INDUSTRIE		GENERAL TOLERANCE SS-ISO-2768-1M	UNIT mm	SCALE 1 of 2
		DESCRIPTION	MATERIAL Cold rolled steel	
DEVICE	PAIR WEIGHT 19,8 Kg	02C		

Property of RAM Industrie.
Without its written authorization the present drawing shall neither be used for construction anyway, communicated to third parties, nor reproduced.



DESIGNED BY F.Dino	CHECKED AND APPROVED BY L. Paleari	REVISION	DATE 17/03/2022	CODE 852000
GENERAL TOLLERANCE SS-ISO-2768-1M			UNIT mm	SCALE 2 of 2
DESCRIPTION			MATERIAL Cold rolled steel	
DEVICE			PAIR WEIGHT 19,8 Kg	02C

Property of RAM Industrie.
Without its written authorization the present drawing shall neither be used for construction anyway, communicated to third parties, nor reproduced.