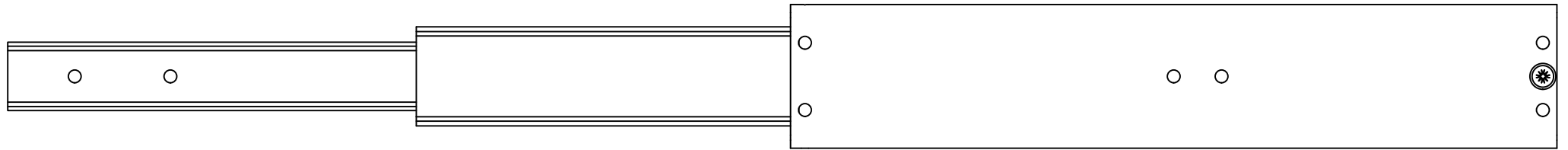
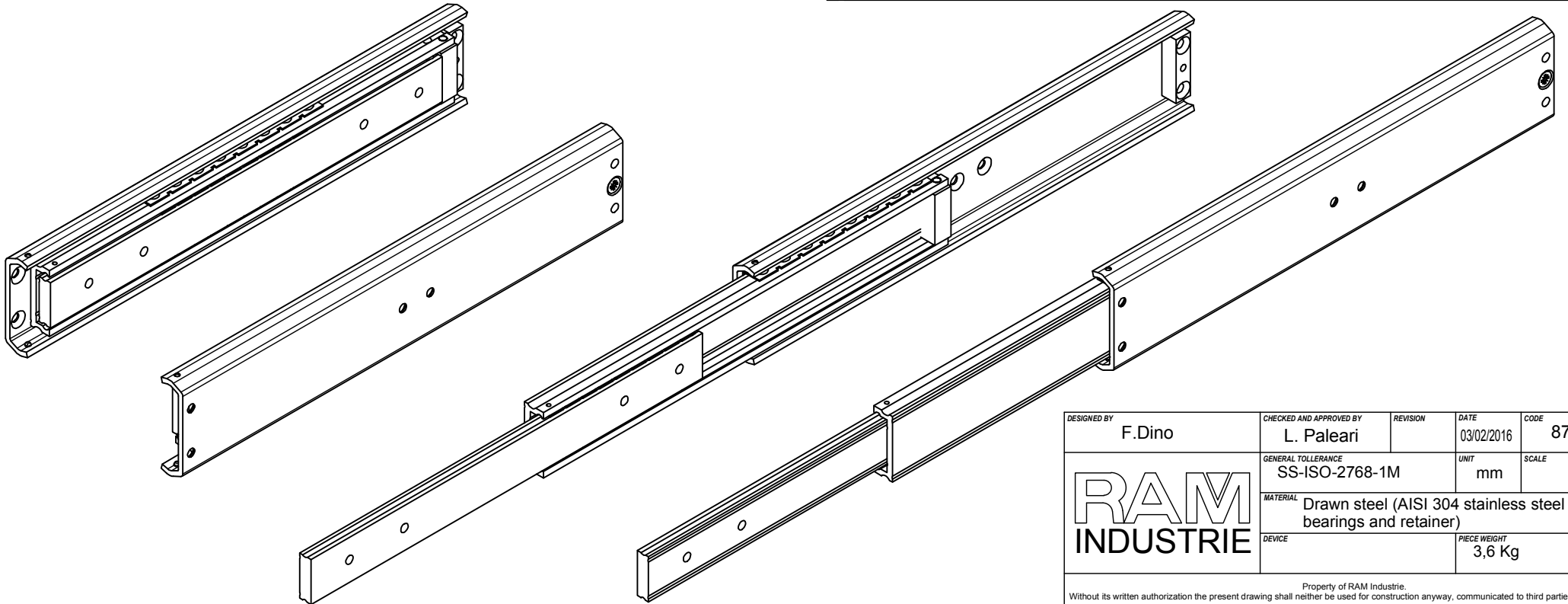
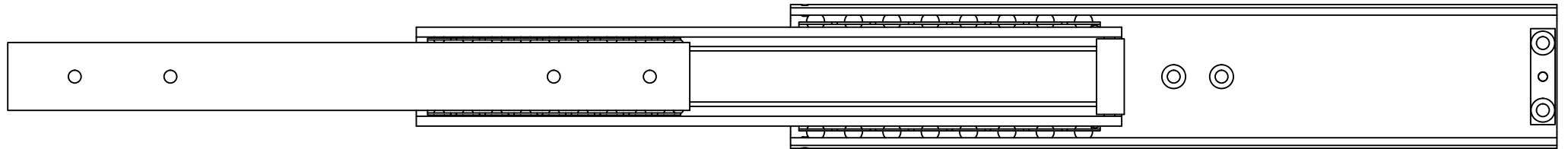
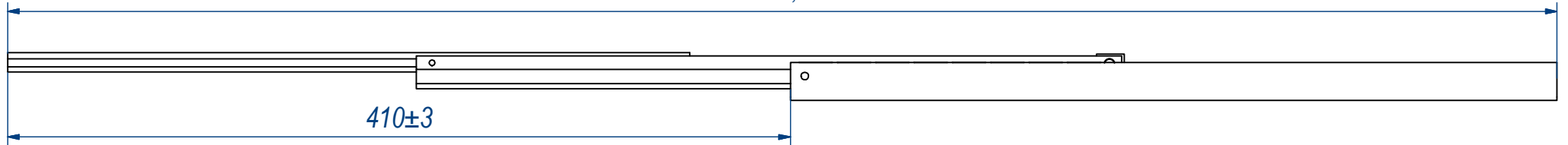


DESIGNED BY F.Dino	CHECKED AND APPROVED BY L. Paleari	REVISION	DATE 03/02/2016	CODE 87400
		GENERAL TOLLERANCE SS-ISO-2768-1M	UNIT mm	SCALE 1 of 2
		MATERIAL Drawn steel (AISI 304 stainless steel ball bearings and retainer)		
DEVICE			PIECE WEIGHT 3,6 Kg	01T
Property of RAM Industrie. Without its written authorization the present drawing shall neither be used for construction anyway, communicated to third parties, nor reproduced.				



810,0

410±3



DESIGNED BY F.Dino	CHECKED AND APPROVED BY L. Paleari	REVISION	DATE 03/02/2016	CODE 87400
GENERAL TOLERANCE SS-ISO-2768-1M		UNIT mm	SCALE	SHEET 2 of 2
MATERIAL Drawn steel (AISI 304 stainless steel ball bearings and retainer)			PIECE WEIGHT 3,6 Kg	01T

**RAM**  
INDUSTRIE

Property of RAM Industrie.  
Without its written authorization the present drawing shall neither be used for construction anyway, communicated to third parties, nor reproduced.