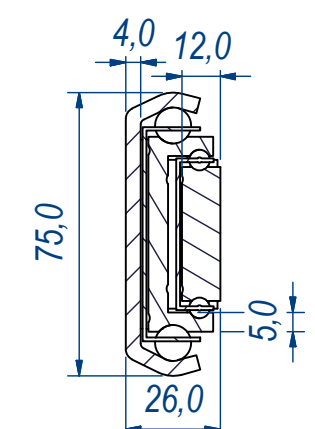
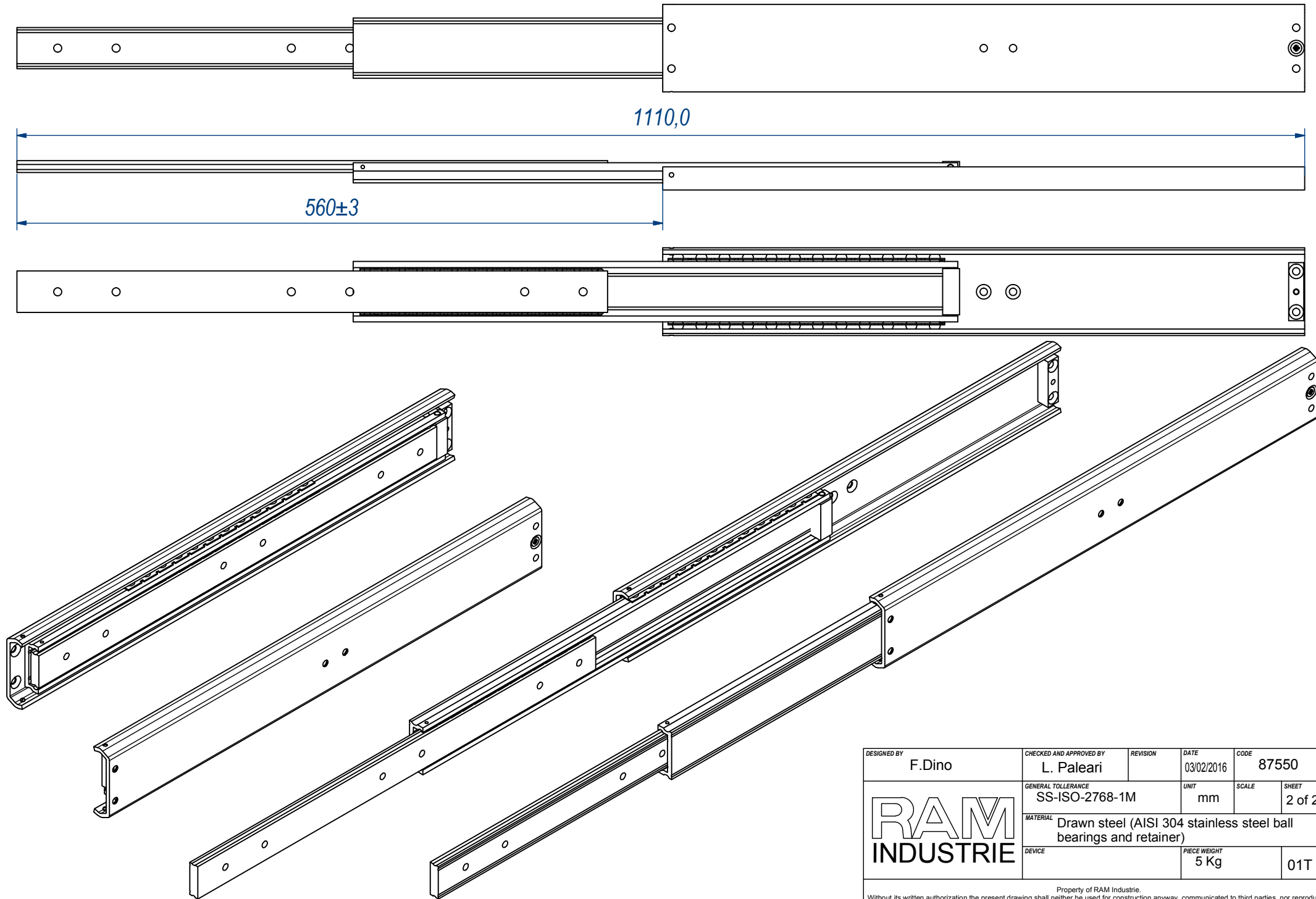


SEZ. A-A



DESIGNED BY F.Dino	CHECKED AND APPROVED BY L. Paleari	REVISION	DATE 03/02/2016	CODE 87550
		GENERAL TOLLERANCE SS-ISO-2768-1M	UNIT mm	SHEET 1 of 2
		MATERIAL Drawn steel (AISI 304 stainless steel ball bearings and retainer)		
DEVICE			PIECE WEIGHT 5 Kg	01T
Property of RAM Industrie. Without its written authorization the present drawing shall neither be used for construction anyway, communicated to third parties, nor reproduced.				



DESIGNED BY F.Dino	CHECKED AND APPROVED BY L. Paleari	REVISION	DATE 03/02/2016	CODE 87550
GENERAL TOLLERANCE SS-ISO-2768-1M			UNIT mm	SHEET 2 of 2
MATERIAL Drawn steel (AISI 304 stainless steel ball bearings and retainer)				
DEVICE			PIECE WEIGHT 5 Kg	01T

Property of RAM Industrie.  
Without its written authorization the present drawing shall neither be used for construction anyway, communicated to third parties, nor reproduced.